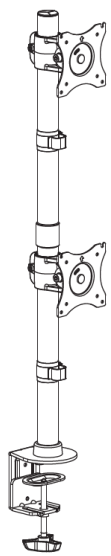


Dual Vertical Monitor Desk Mount

Instruction Manual



SKU: STAND-V002R



Scan the QR code with your mobile device or follow the link for helpful videos and specifications related to this product.

<https://vivo-us.com/products/stand-v002r>

GET IN TOUCH | Monday-Friday from 7:00am-7:00pm CST



help@vivo-us.com



www.vivo-us.com
Chat live with an agent!



309-278-5303

WARNING!

If you do not understand these directions, or if you have any doubts about the safety of the installation, please call a qualified technician. Check carefully to make sure there are no missing or defective parts. Improper installation may cause damage or serious injury. Do not use this product for any purpose that is not explicitly specified in this manual. Do not exceed weight capacity. We cannot be liable for damage or injury caused by improper mounting, incorrect assembly or inappropriate use.

TIPOVER WARNING

SERIOUS OR FATAL CRUSHING INJURIES CAN OCCUR FROM TIPOVER. TO HELP PREVENT TIPOVER:

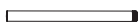
- NEVER ALLOW CHILDREN TO CLIMB, STAND, HANG, OR PLAY ON ANY PART OF MONITOR OR STAND.
- USE TIPOVER RESTRAINT OR ANCHOR STAND TO WALL

USE OF TIPOVER RESTRAINTS MAY ONLY REDUCE, BUT NOT ELIMINATE RISK OF TIPOVER.

WARNING: CHOKING HAZARD

SMALL PARTS - NOT FOR CHILDREN UNDER 3 YEARS. ADULT SUPERVISION IS REQUIRED.

PACKAGE CONTENTS



A (x1)
Pole



B (x1)
Pole



C (x1)
Clamp



D (x1)
Grommet Plate



E (x2)
VESA Bracket



F (x1)
Pole Connector



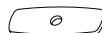
G (x2)
Cable Clip



H (x1)
Base Cover



I (x5)
Soft Pad



J (x1)
Support Plate



K (x1)
3mm Allen
Wrench



L (x1)
5mm Allen
Wrench



M (x1)
6mm Allen
Wrench



M-A (x8)
M4x12



M-B (x8)
M5x12



M-C (x8)
D5 Washer

NOTE: SOME HARDWARE INCLUDED MAY NOT BE USED

TOOLS NEEDED



DO NOT EXCEED WEIGHT CAPACITY.

Failure to do so may result in serious injury.

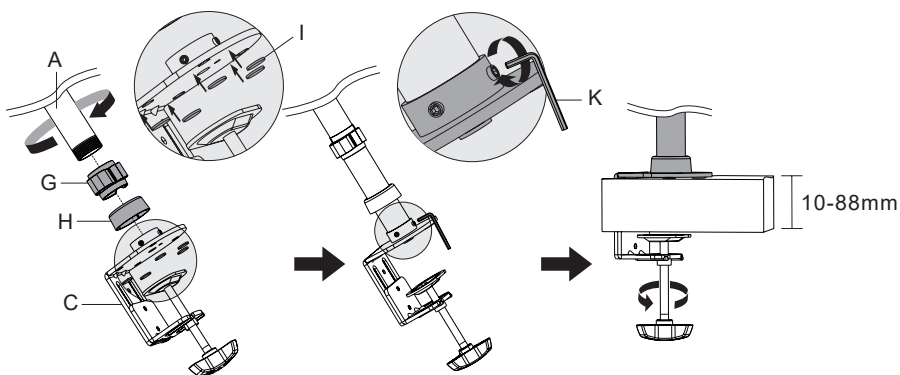
22 lbs
Per Arm
(10 kg)

ASSEMBLY STEPS

STEP 1

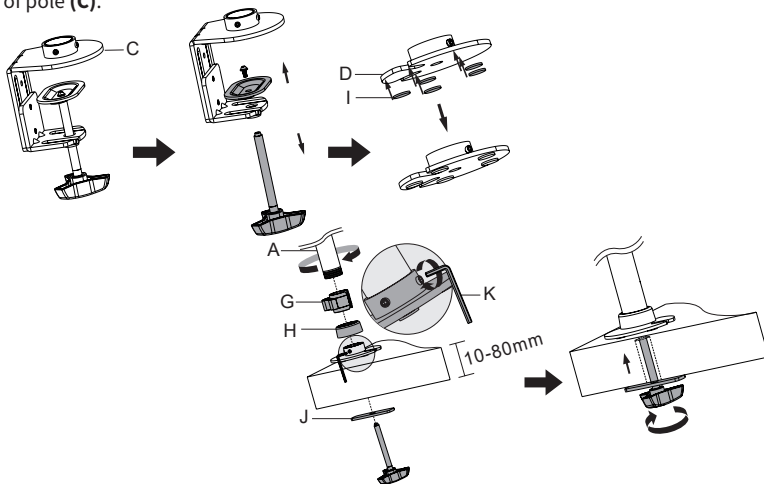
OPTION A: Clamp Installation

Slide cable management clip (G) and base cover (H) on to bottom pole (A). Thread bottom pole (A) onto clamp (C). Tighten grub screws in bottom of clamp (C) using 3mm allen wrench (K). Secure clamp (C) to desktop as shown in diagram.



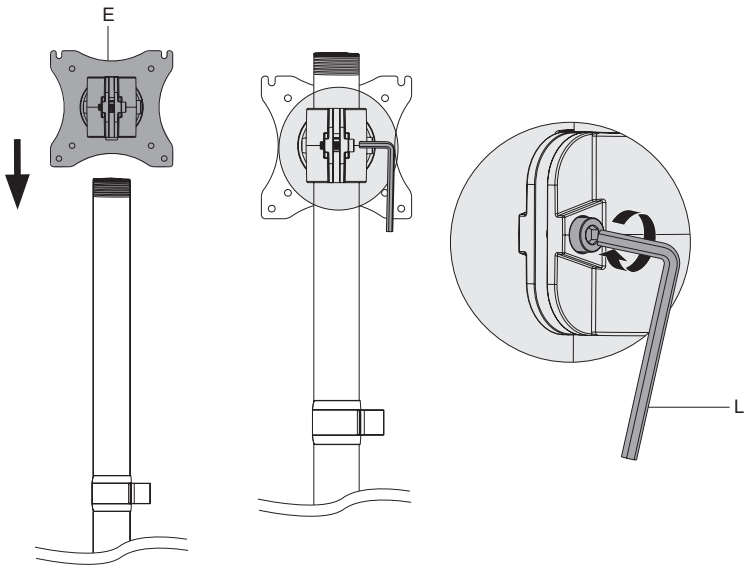
OPTION B: Grommet Base Installation

Remove screw from top of bolt in clamp (C). Stick soft pads (I) to bottom of grommet base (D). Slide cable management clip (G) and base cover (H) on to bottom pole (A). Thread bottom pole (A) onto grommet base (D). Tighten grub screws in bottom of grommet base (D) to using 3mm allen wrench (K). Slide metal pad (J) over bolt and slide through grommet hole in bottom of desktop. Thread into bottom of pole (C).



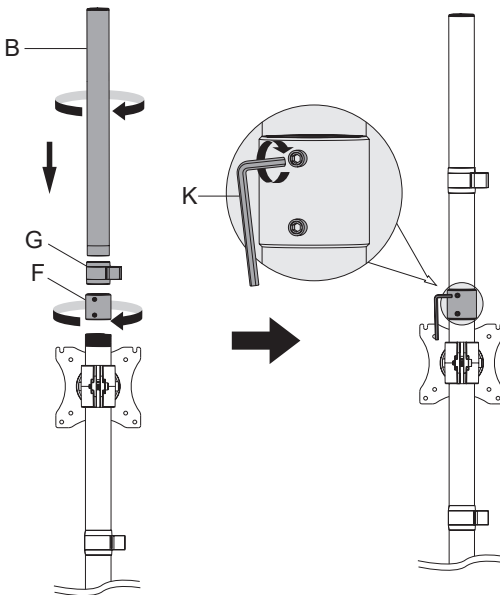
STEP 2

Slide VESA bracket (E) over top of pole (A). Tighten using 5mm allen wrench (L).



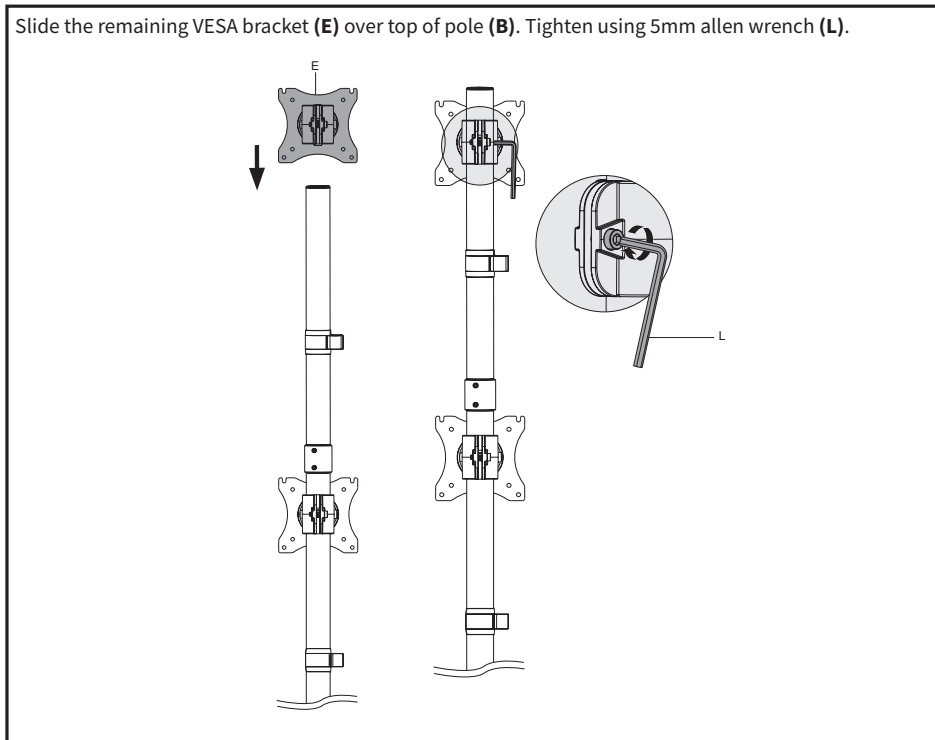
STEP 3

Slide cable management clip (G) over bottom of pole (B). Use pole connector (F) to attach pole (B) to pole (A) as shown in diagram.



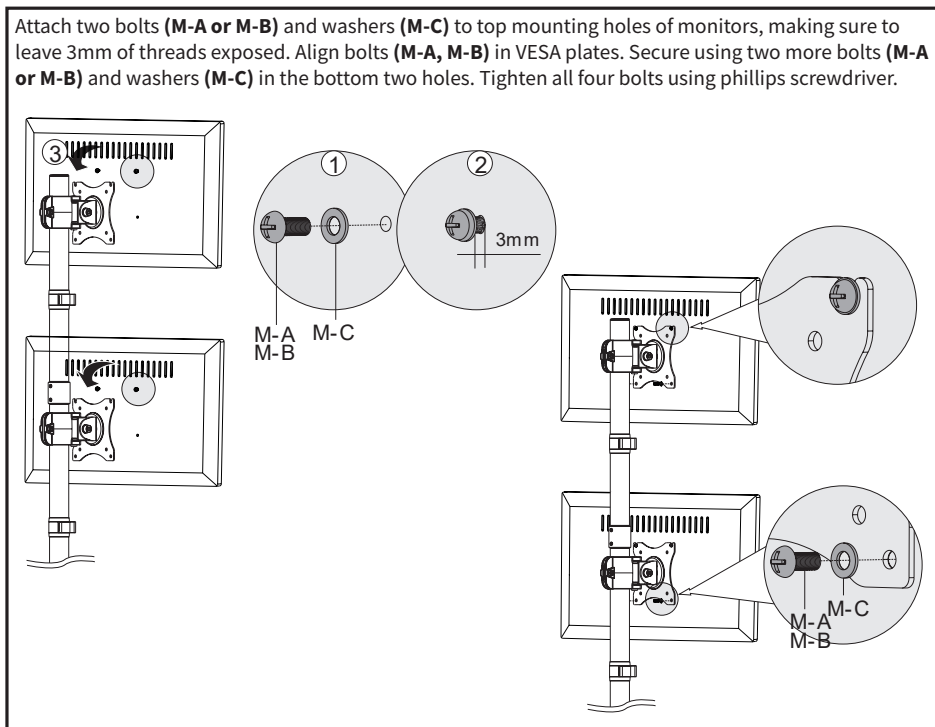
STEP 4

Slide the remaining VESA bracket (E) over top of pole (B). Tighten using 5mm allen wrench (L).



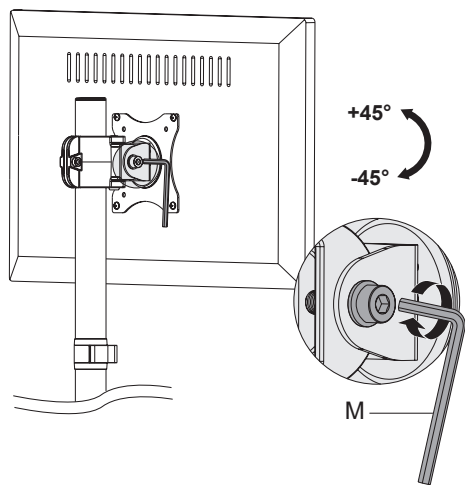
STEP 5

Attach two bolts (M-A or M-B) and washers (M-C) to top mounting holes of monitors, making sure to leave 3mm of threads exposed. Align bolts (M-A, M-B) in VESA plates. Secure using two more bolts (M-A or M-B) and washers (M-C) in the bottom two holes. Tighten all four bolts using phillips screwdriver.



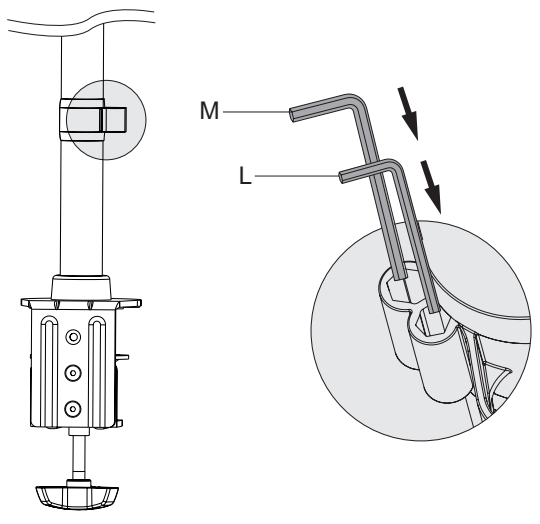
STEP 6

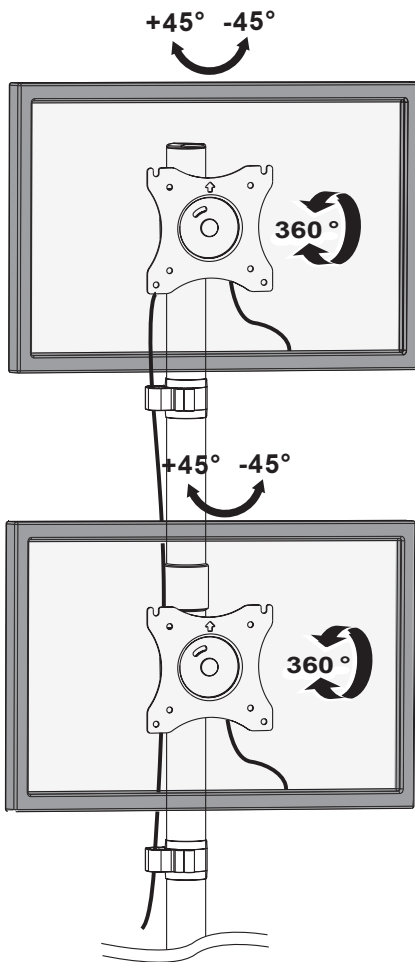
Adjust tension in monitor bracket with 6mm allen wrench (**M**) as shown in diagram.



STEP 7

Store allen wrenches (**M**, **L**) in cable management clip (**G**) for future adjustment.







Open **Monday - Friday 7:00am - 7:00pm** CST,

our dedicated support team can offer immediate assistance with rapid response times. If any parts are received damaged or defective, please contact us. We are happy to replace parts to ensure you have a fully functioning product.


 help@vivo-us.com

AVG. RESPONSE TIME (*within office hrs*): **1HR 8M**

- 23% within < 15m
- 38% within < 30m
- 61% within < 1hr
- 83% within < 2hr
- 92% within < 3hr

 www.vivo-us.com
Chat live with an agent!

AVG. RESOLUTION TIME (*within office hrs*): **< 15 M**

 309-278-5303

AVG. RESOLUTION TIME (*within office hrs*): **5M 4S**