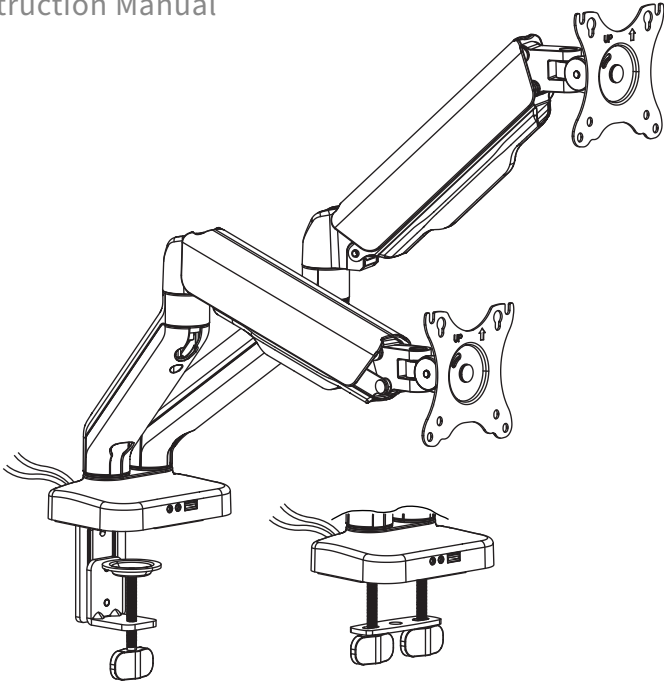




---

## Mechanical Arm Dual Monitor Desk Mount Instruction Manual



**SKU: STAND-V002OU**



Scan the QR code with your mobile device or follow the link for helpful videos and specifications related to this product.

<https://vivo-us.com/products/stand-v002ou>

---

GET IN TOUCH | Monday-Friday from 7:00am-7:00pm CST



help@vivo-us.com



www.vivo-us.com  
*Chat live with an agent!*



309-278-5303

# **WARNING!**

If you do not understand these directions, or if you have any doubts about the safety of the installation, please call a qualified technician. Check carefully to make sure there are no missing or defective parts. Improper installation may cause damage or serious injury. Do not use this product for any purpose that is not explicitly specified in this manual. Do not exceed weight capacity. We cannot be liable for damage or injury caused by improper mounting, incorrect assembly or inappropriate use.

## **TIPOVER WARNING**

SERIOUS OR FATAL CRUSHING INJURIES CAN OCCUR FROM TIPOVER. TO HELP PREVENT TIPOVER:

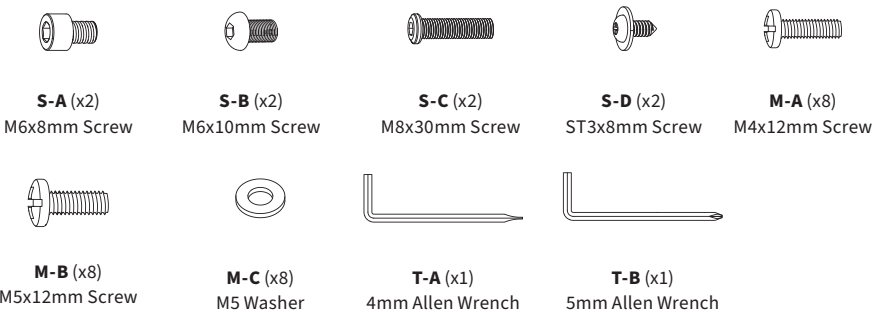
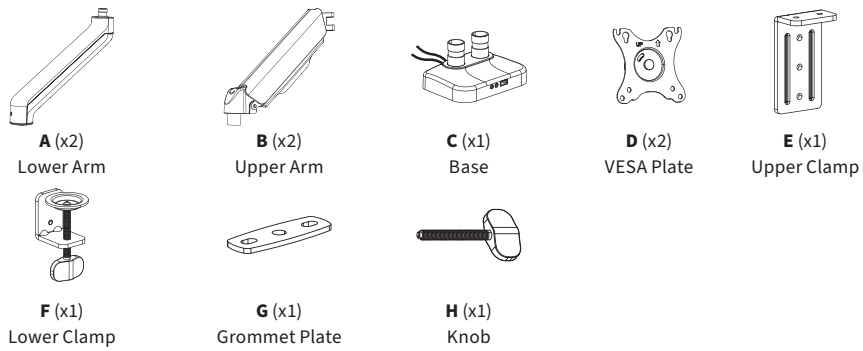
- NEVER ALLOW CHILDREN TO CLIMB, STAND, HANG, OR PLAY ON ANY PART OF MONITOR OR STAND.
- USE TIPOVER RESTRAINT OR ANCHOR STAND TO WALL

**USE OF TIPOVER RESTRAINTS MAY ONLY REDUCE, BUT NOT ELIMINATE RISK OF TIPOVER.**

## **WARNING: CHOKING HAZARD**

SMALL PARTS - NOT FOR CHILDREN UNDER 3 YEARS. ADULT SUPERVISION IS REQUIRED.

# PACKAGE CONTENTS



**NOTE: SOME HARDWARE INCLUDED MAY NOT BE USED**

DO NOT EXCEED WEIGHT CAPACITY.  
Failure to do so may result in serious injury.

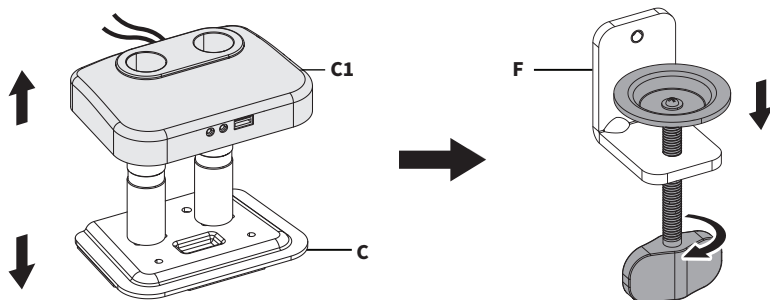


**PER ARM**

# ASSEMBLY STEPS

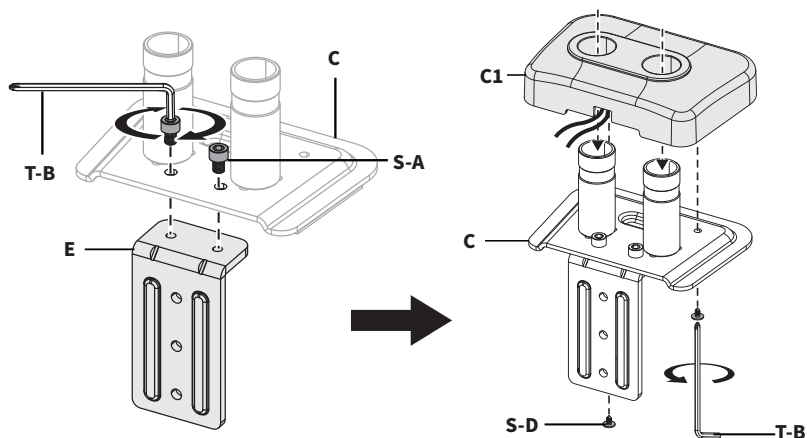
## STEP 1 - Clamp Installation

Remove Plastic Shroud (C1) from Base (C). Adjust the knob completely down on Lower Clamp (F).

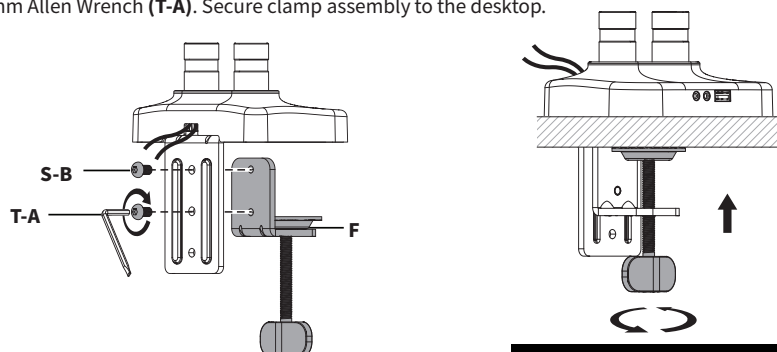


### 0.4"-1.90" (10-50mm) DESKTOPS

Install Upper Clamp (E) to Base (C) using M6x8mm Screws (S-A) and 5mm Allen Wrench (T-B). Re-install the Plastic Shroud (C1) onto Base (C) using ST3x8mm Screws (S-D) and 5mm Allen Wrench (T-B).



Attach Lower Clamp (F) to the top two holes on Upper Clamp (E) using M6x10mm Screws (S-B) and 4mm Allen Wrench (T-A). Secure clamp assembly to the desktop.

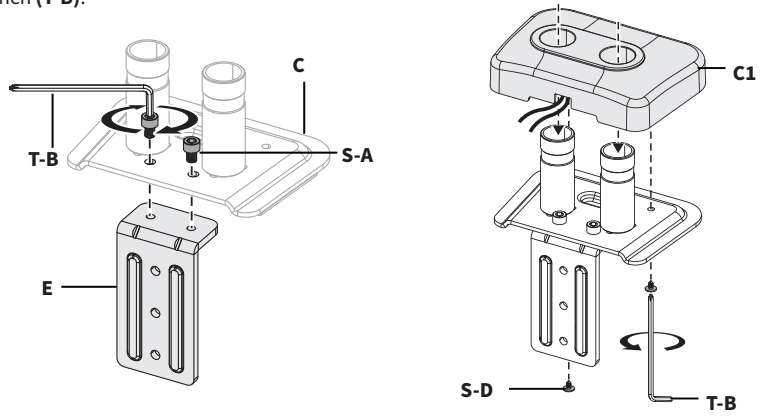


**PROCEED TO STEP 2 ON PAGE 6**

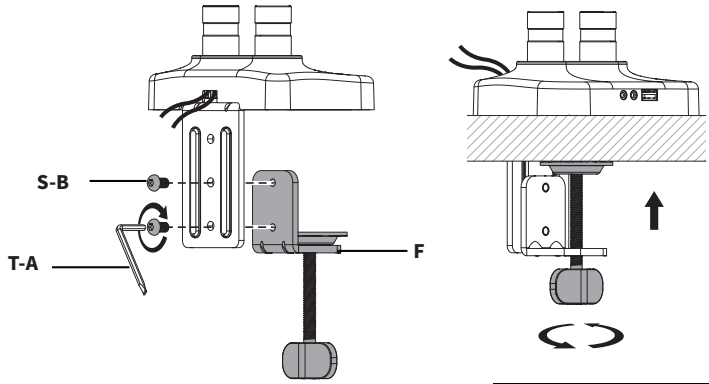
# STEP 1 - Clamp Installation - Continued

## 1.8"-3.1" (45-85mm) DESKTOPS

install Upper Clamp (E) to Base (C) using M6x8mm Screws (S-A) and 5mm Allen Wrench (T-B). Reinstall the Plastic Shroud (C1) onto Base (C) using ST3x8mm Screws (S-D) and 5mm Allen Wrench (T-B).



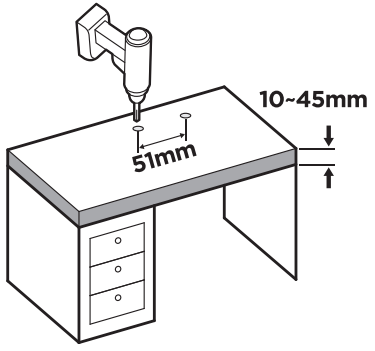
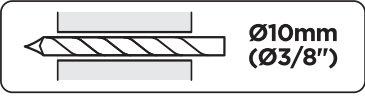
Attach Lower Clamp (F) to the bottom two holes on Upper Clamp (E) using M6x10mm Screws (S-B) and 4mm Allen Wrench (T-A). Secure clamp assembly to the desktop.



**PROCEED TO STEP 2 ON PAGE 6**

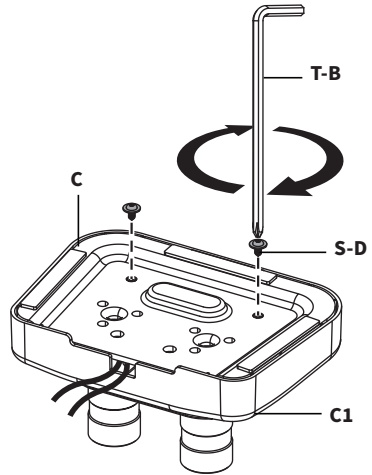
# STEP 1 - Grommet Installation

If your desk does not have an existing grommet hole, begin by marking two drilling locations 2" (51mm) apart in desired location. Drill grommet holes using a 3/8" (10mm) drill bit drilling completely through the desktop.

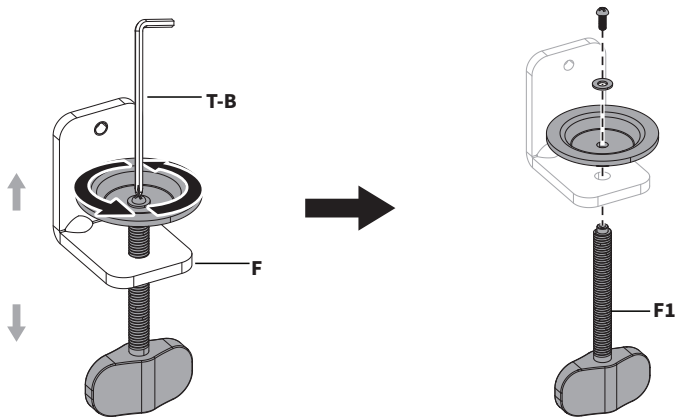


## STEP 1 - Grommet Installation - Continued

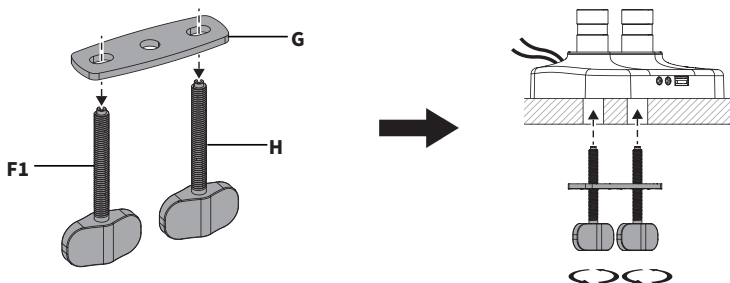
The Base (C) features a Plastic Shroud (C1) over the top of the metal portion, which is often removed in clamp installations. For a grommet mount, it stays in place, but will need secure. Secure the Plastic Shroud (C1) to Base (C) using ST3x8mm Screws (S-D) and the Phillips end of 5mm Allen Wrench (T-B).



Disassemble Lower Clamp (F) using the Phillips end on 5mm Allen Wrench (T-B).



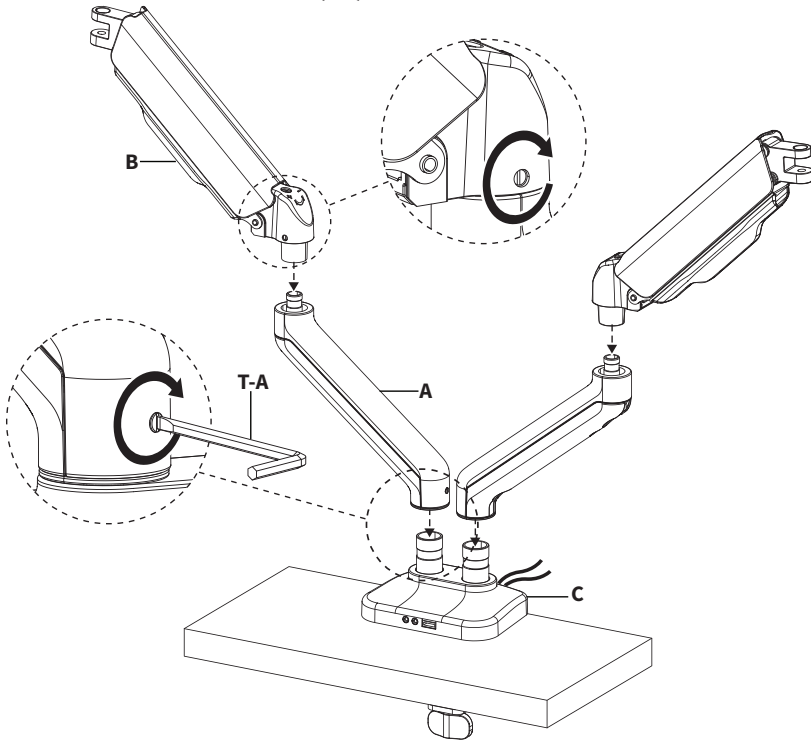
Place Grommet Plate (G) on Knobs (F1,H) and secure assembly to the desktop.



**PROCEED TO STEP 2 ON PAGE 6**

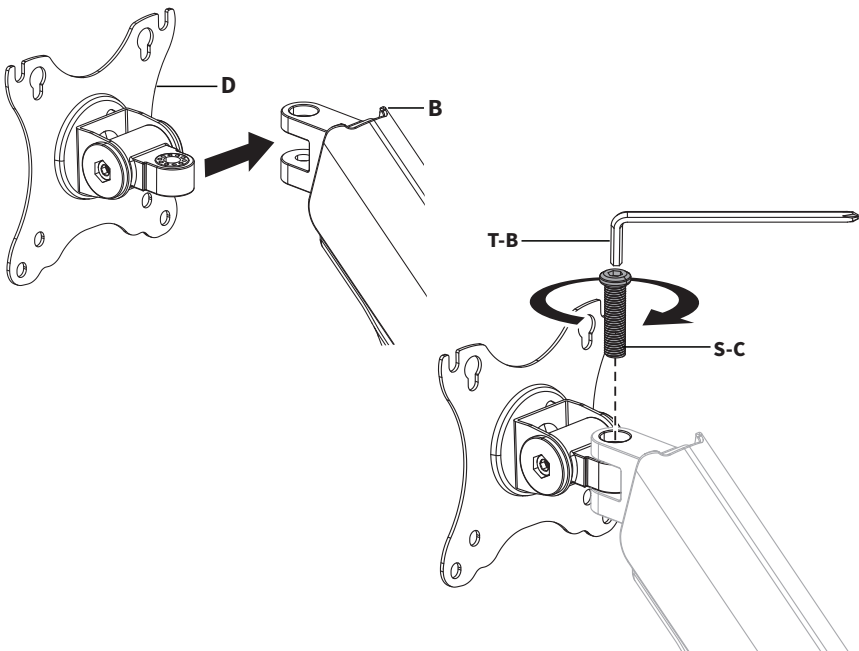
## STEP 2

Place Lower Arms (**A**) onto Base (**C**) and Upper Arms (**B**) onto Lower Arms (**A**). Tighten set screws using the flathead end on 4mm Allen Wrench (**T-A**).



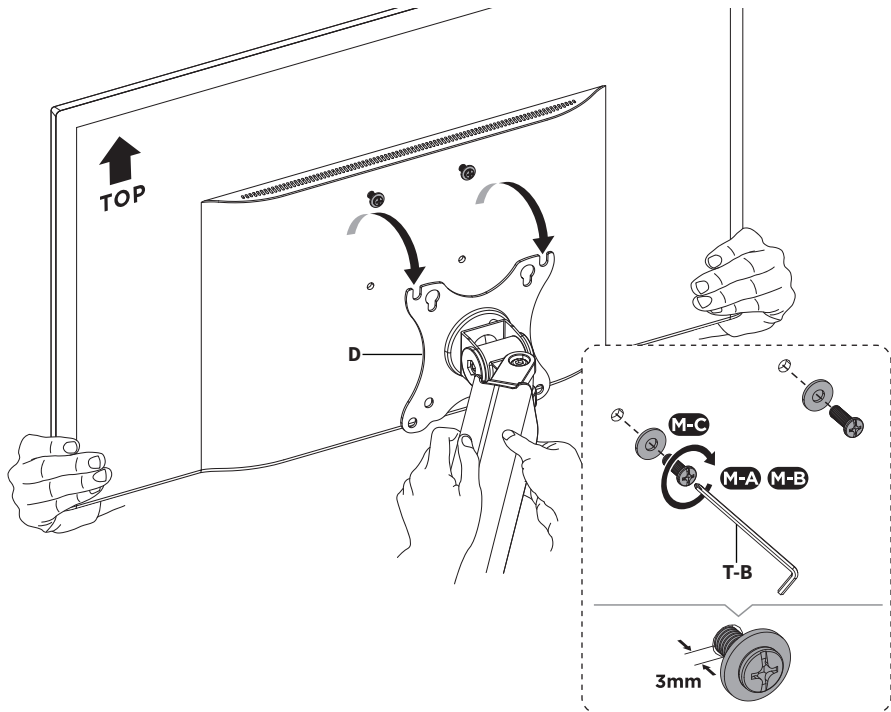
## STEP 3

Attach VESA Plates (**D**) to Upper Arms (**B**) using M8x30mm Screws (**S-C**) and 5mm Allen Wrench (**T-B**).

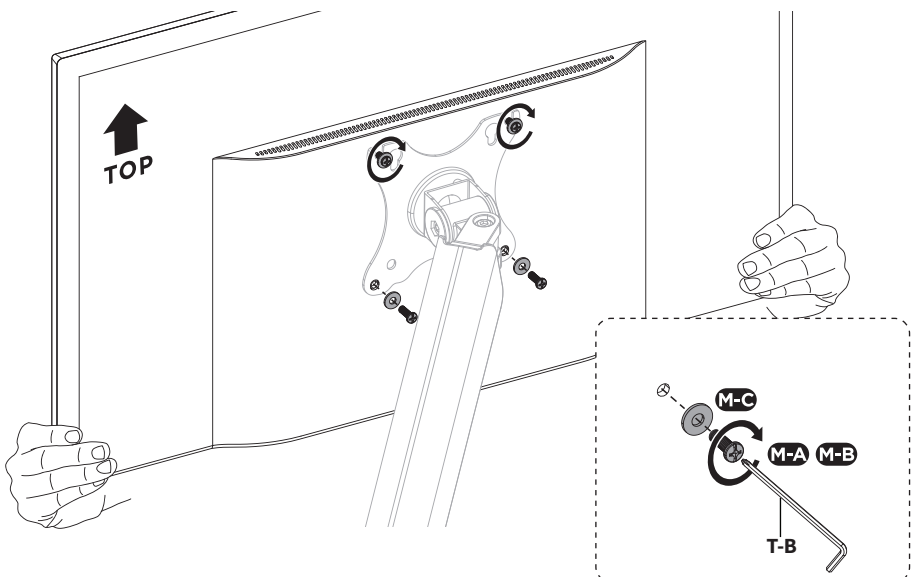


## STEP 4

Install two Screws (**M-A or M-B**) and M5 Washers (**M-C**) using the Phillips end on 5mm Allen Wrench (**T-B**) to the top VESA holes on the monitor leaving at least 3mm of clearance between the screw and monitor. Slide the monitor onto VESA Plate (**D**) making sure the screws sit within the slots.

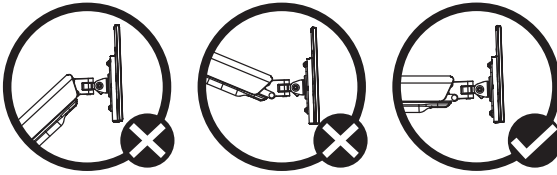
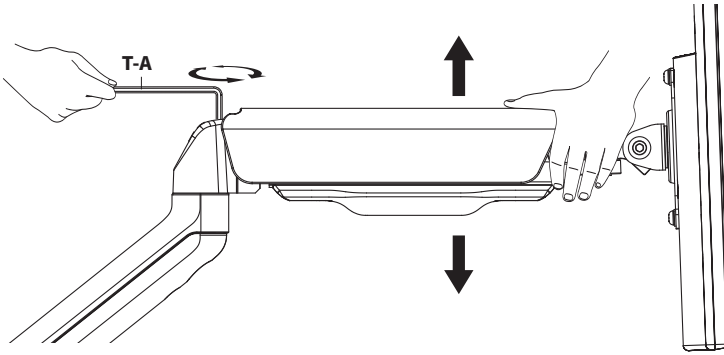


Tighten the top two screws and install the remaining Screws (**M-A or M-B**) and 5mm Washers (**M-C**) using the Phillips end on 5mm Allen Wrench (**T-B**).

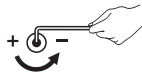


## Tension Adjustment

While holding the arm in the horizontal position, adjust the gas spring tension using the 5mm Allen Wrench (**T-A**).



If the arm **drops**, turn the adjustment screw clockwise until it stays in a horizontal position.



If the arm **rises**, turn the adjustment screw counter-clockwise until it stays in a horizontal position.

## **WARNINGS**

### **CAUTION:**

To avoid damage to the monitor or mount, always ensure the arm is in a horizontal position before making adjustments. An additional person may be required to assist in some cases.

### **CAUTION:**

Do not over tighten screws.

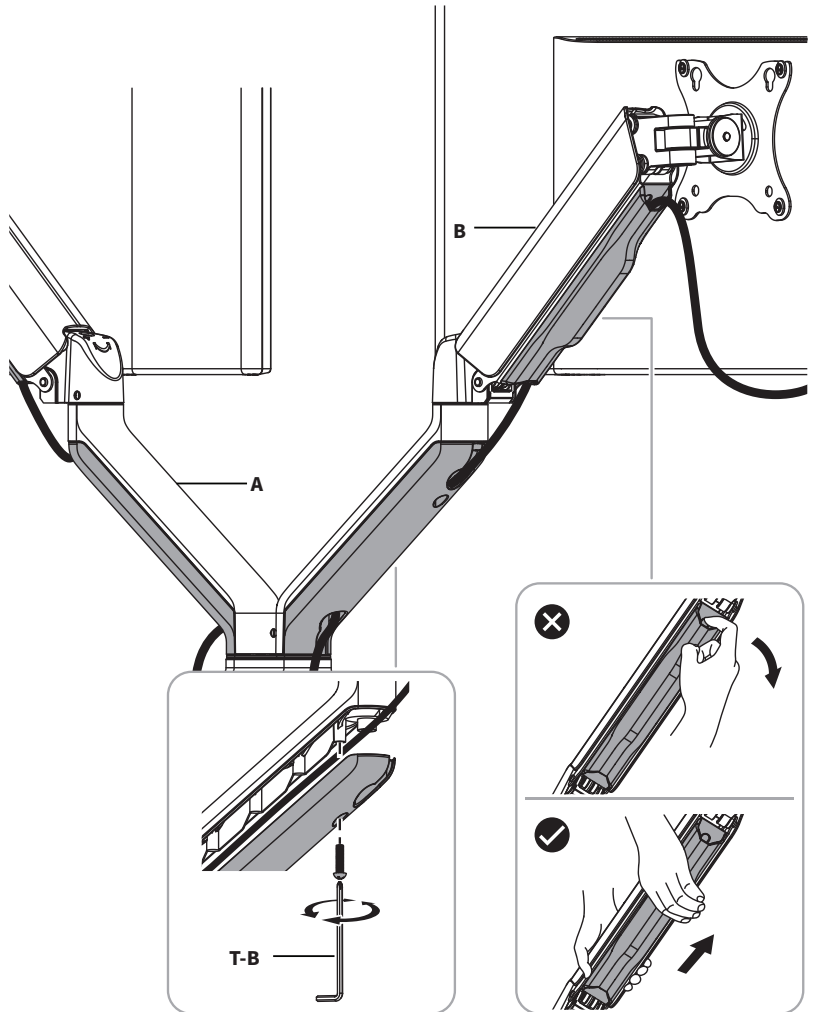
### **WARNING:**

Monitor must be installed on mount before making tension adjustments to the gas spring arm.



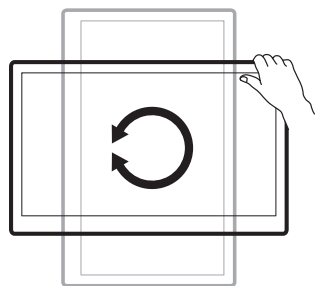
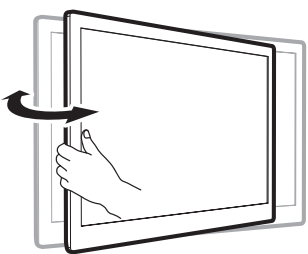
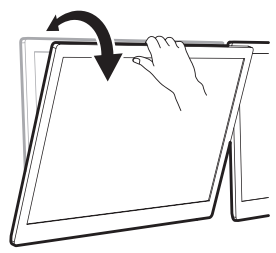
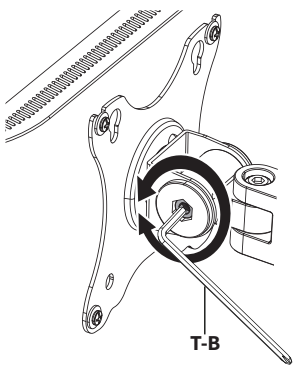
## Cable Management

Remove bottom plastic covers from Lower Arm (**A**) using the Phillips end of 5mm Allen Wrench (**T-B**). Slide plastic covers off of Upper Arms (**B**). Run cables from monitors through bottom of Upper Arms (**A**) and Lower Arms (**B**), then reattach plastic covers.



# Adjust as Desired

Adjust monitor tilt support using 5mm Allen Wrench (**T-B**) as shown. Adjust monitor position as desired.



[ THIS PAGE INTENTIONALLY LEFT BLANK ]



Love your new VIVO setup and want to share?  
Tag us in your photo! [@vivo\\_us](#)

LAST UPDATED: 09/15/2023  
REV3



Open **Monday - Friday 7:00am - 7:00pm** CST,  
our dedicated support team can offer immediate assistance with rapid response times. If any parts are received damaged or defective, please contact us. We are happy to replace parts to ensure you have a fully functioning product.



[www.vivo-us.com](http://www.vivo-us.com)  
*Chat live with an agent!*

**AVG. RESOLUTION TIME** (*within office hrs*): **< 15 M**



309-278-5303

**AVG. RESOLUTION TIME** (*within office hrs*): **5M 4S**



[help@vivo-us.com](mailto:help@vivo-us.com)

**AVG. RESPONSE TIME** (*within office hrs*): **1HR 8M**

- 23% within < 15m
- 38% within < 30m
- 61% within < 1hr
- 83% within < 2hr
- 92% within < 3hr