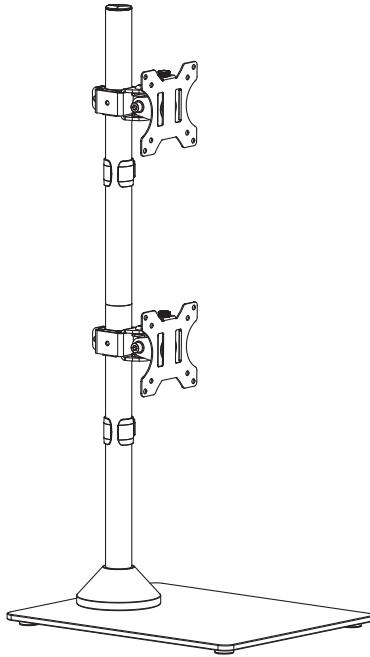


Dual Vertical Monitor Desk Stand with Glass Base Instruction Manual



SKU: STAND-V002LG



Scan the QR code with your mobile device or follow the link for helpful videos and specifications related to this product.

<https://vivo-us.com/products/stand-v002lg>

GET IN TOUCH | Monday-Friday from 7:00am-7:00pm CST



help@vivo-us.com



www.vivo-us.com
Chat live with an agent!



309-278-5303

⚠️ WARNING!

If you do not understand these directions, or if you have any doubts about the safety of the installation, please contact our product support team at 309-278-5303 or help@vivo-us.com for further assistance. Check carefully to make sure there are no missing or defective parts. Improper installation may cause damage or serious injury. Do not use this product for any purpose that is not explicitly specified in this manual. Do not exceed weight capacity. We cannot be liable for damage or injury caused by improper mounting, incorrect assembly or inappropriate use.

⚠️ TIPOVER WARNING

SERIOUS OR FATAL CRUSHING INJURIES CAN OCCUR FROM TIPOVER. TO HELP PREVENT TIPOVER:

- NEVER ALLOW CHILDREN TO CLIMB, STAND, HANG, OR PLAY ON ANY PART OF MONITOR OR STAND.
- USE TIPOVER RESTRAINT OR ANCHOR STAND TO WALL

USE OF TIPOVER RESTRAINTS MAY ONLY REDUCE, BUT NOT ELIMINATE RISK OF TIPOVER.

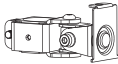
⚠️ WARNING: CHOKING HAZARD

SMALL PARTS - NOT FOR CHILDREN UNDER 3 YEARS. ADULT SUPERVISION IS REQUIRED.

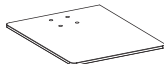
PACKAGE CONTENTS



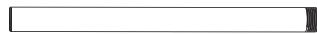
A (x2)
VESA Plate



B (x2)
Tilt Joint



C (x1)
Base



D (x1)
Lower Pole



E (x1)
Upper Pole



F (x1)
Pole Cap



G (x1)
Foam Pad



H (x1)
Support Plate



I (x1)
Plastic Cover



J (x4)
Foot



K (x4)
Felt Pad



L (x2)
Cable Clip



S-A (x4)
M6x10mm
Screws



S-B (x3)
M6x16mm
Screws



S-C (x4)
M6 Washers



S-D (x2)
Thumbscrew



M-A (x8)
M4x12mm
Screws



M-B (x8)
M4x16mm
Screws



M-C (x8)
M5x12mm
Screws



M-D (x8)
M5x16mm
Screws



M-E (x8)
M5 Washer



M-F (x8)
Spacer



T-A (x1)
4mm Allen
Wrench



T-B (x1)
6mm Allen
Wrench

NOTE: SOME HARDWARE INCLUDED MAY NOT BE USED

TOOLS NEEDED



DO NOT EXCEED WEIGHT CAPACITY.

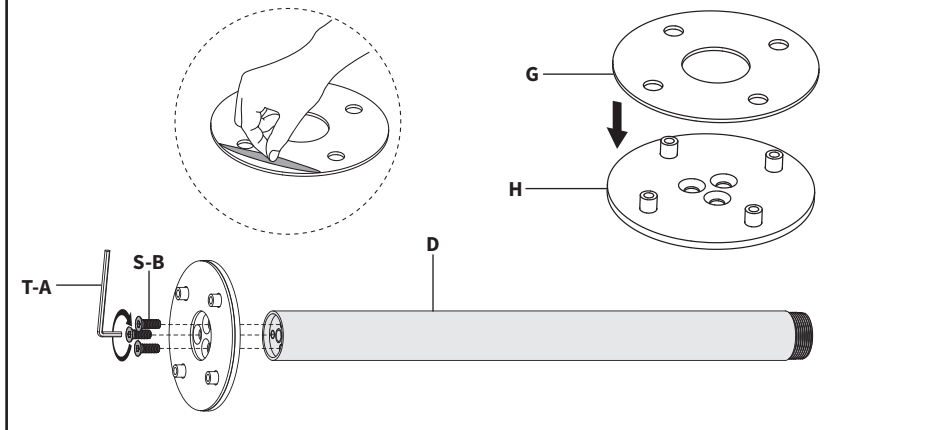
Failure to do so may result in serious injury.

22 lbs
Per Arm
(10 kg)

ASSEMBLY STEPS

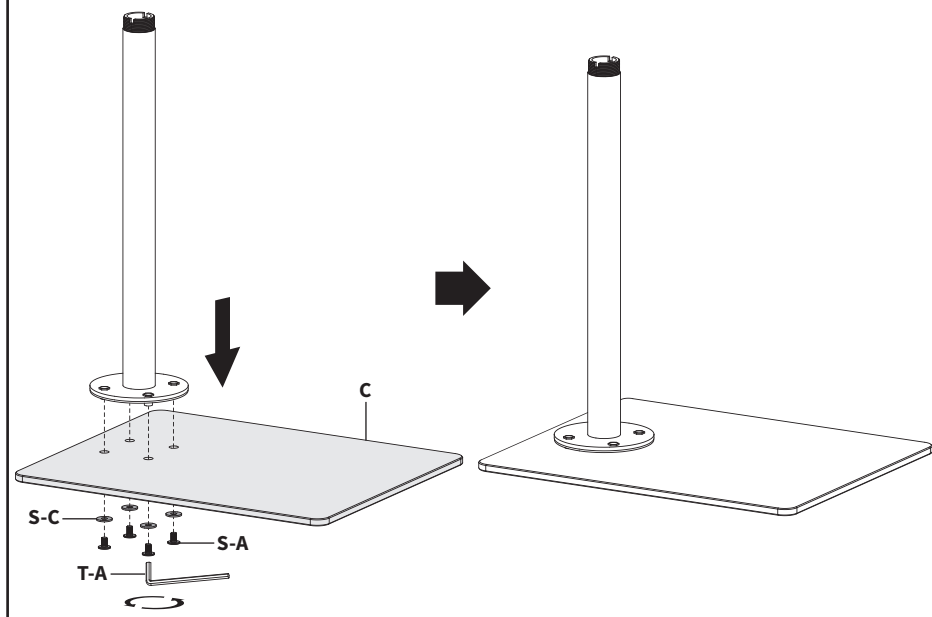
STEP 1

Remove protective film from Foam Pad (G) and apply the Support Plate (H). Attach Support Plate (H) to Lower Pole (D) using M6x16mm Screws (S-B) and 4mm Allen Wrench (T-A).



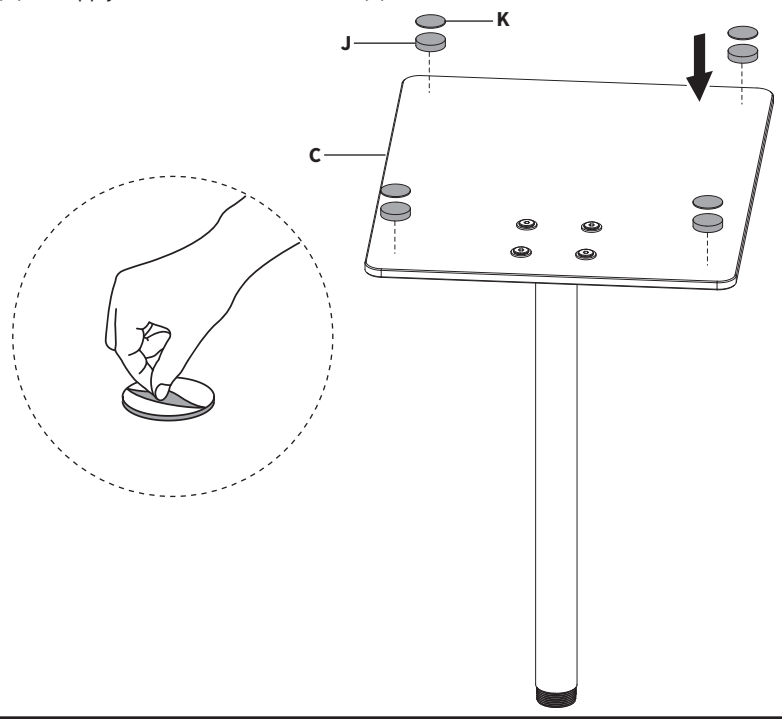
STEP 2

Attach Pole Assembly to Base (C) using M6x10mm Screws (S-A), M6 Washers (S-C), and 4mm Allen Wrench (T-A).



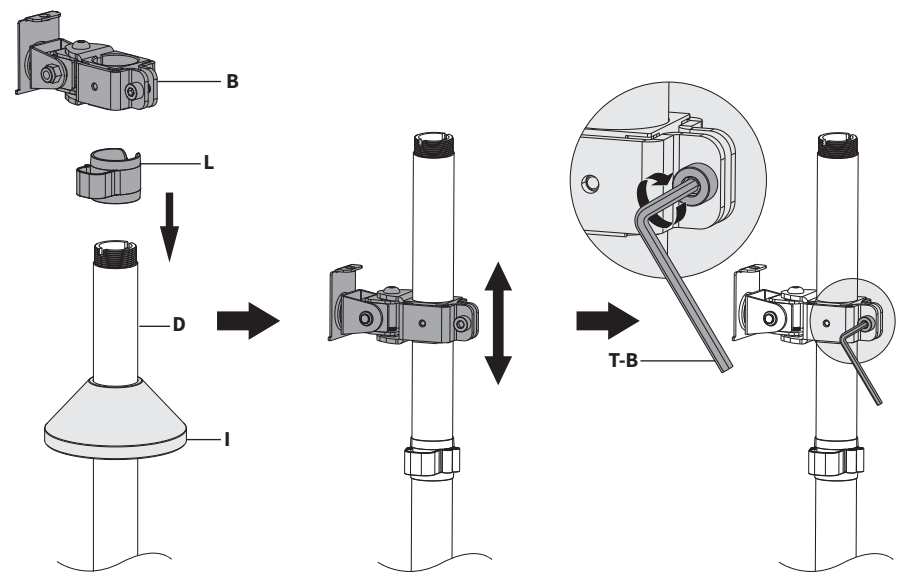
STEP 3

Remove protective film from Feet (J) and apply to the bottom of Base (C). Remove protective film from Felt Pads (K) and apply them to the bottom of Feet (J).



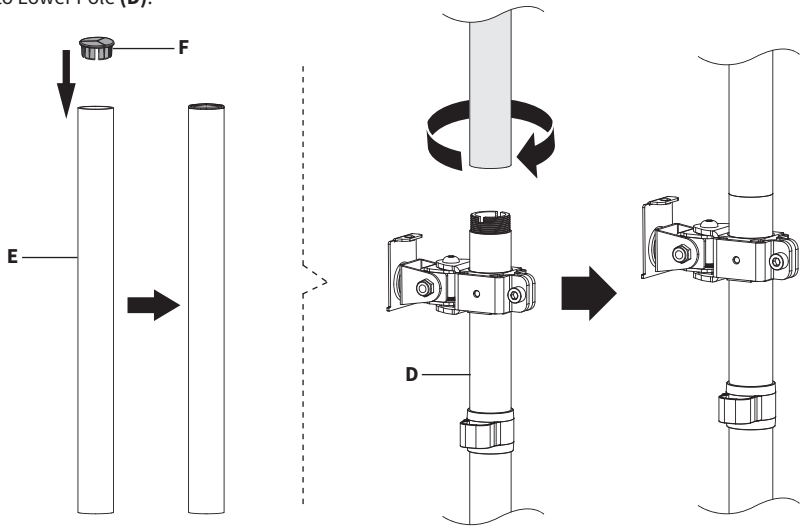
STEP 4

Slide Plastic Cover (I), Pole Cable Clip (L), and Tilt Joint (B) onto Lower Pole (D). Use 6mm Allen Wrench (T-B) to lock the position of Tilt Joint (B).



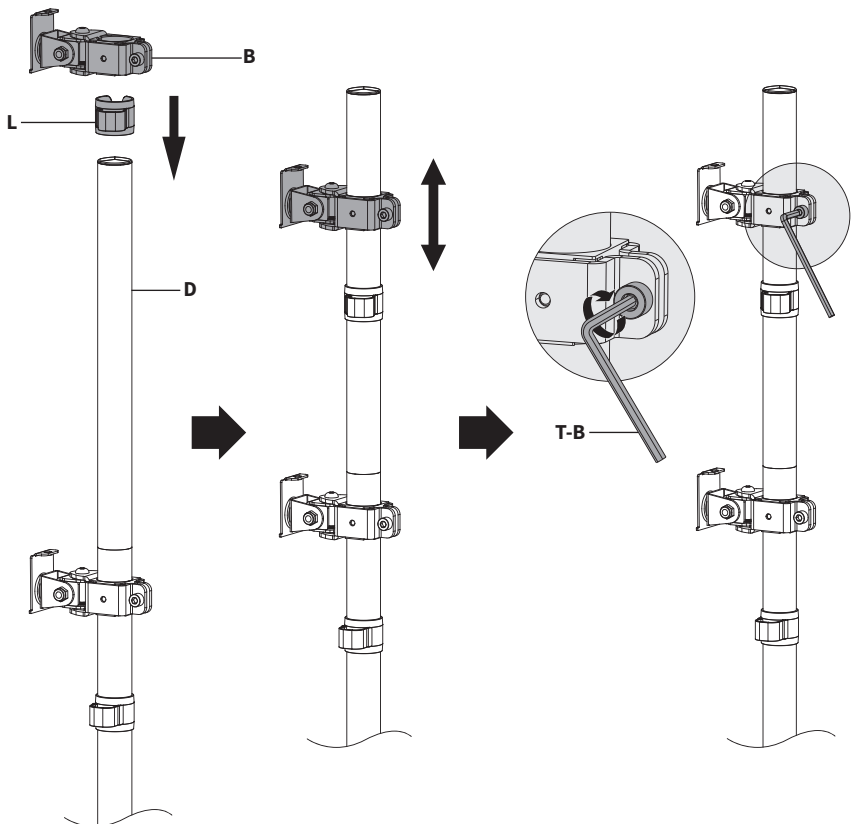
STEP 5

Press Pole Cap (F) into Upper Pole (E) on the side without internal threading. Thread Upper Pole (E) onto Lower Pole (D).



STEP 6

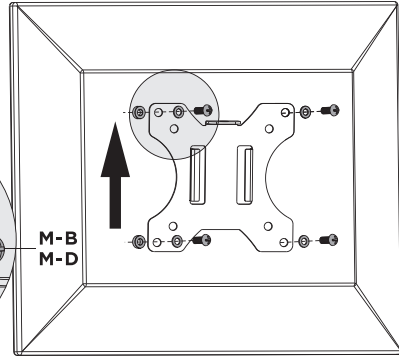
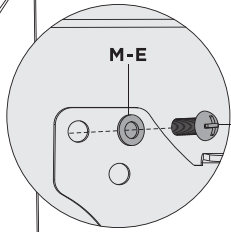
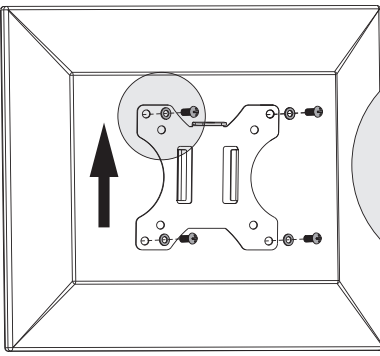
Slide Pole Cable Clip (L) and Tilt Joint (B) onto Lower Pole (D). Use 6mm Allen Wrench (T-B) to lock the position of Tilt Joint (B).



STEP 7

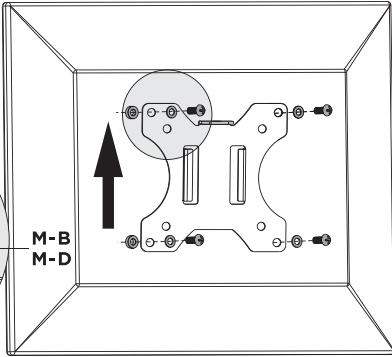
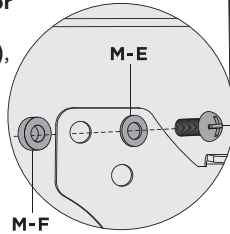
OPTION A: Flat Back Monitor

Attach VESA Plate (A) to the monitors with Screws (M-A, M-C) and M5 Washers (M-E).



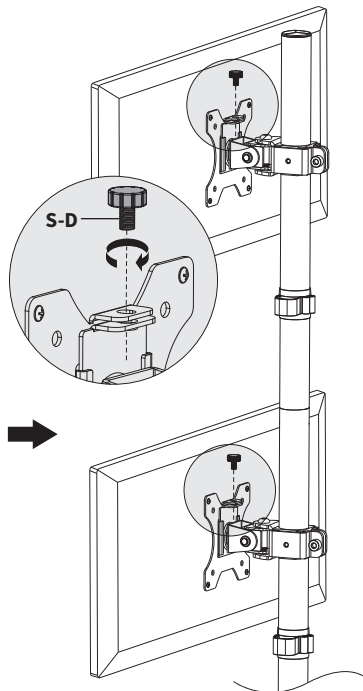
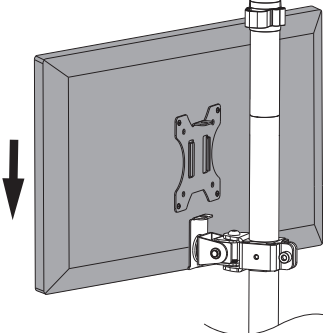
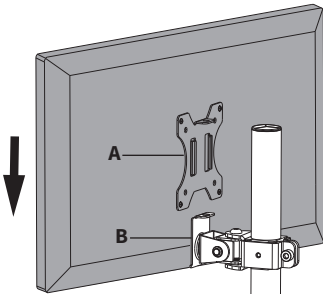
OPTION B: Curved Back Monitor

Attach VESA Plate (A) to the monitors with Screws (M-B, M-D), M5 Washers (M-E), and Spacers (M-F).



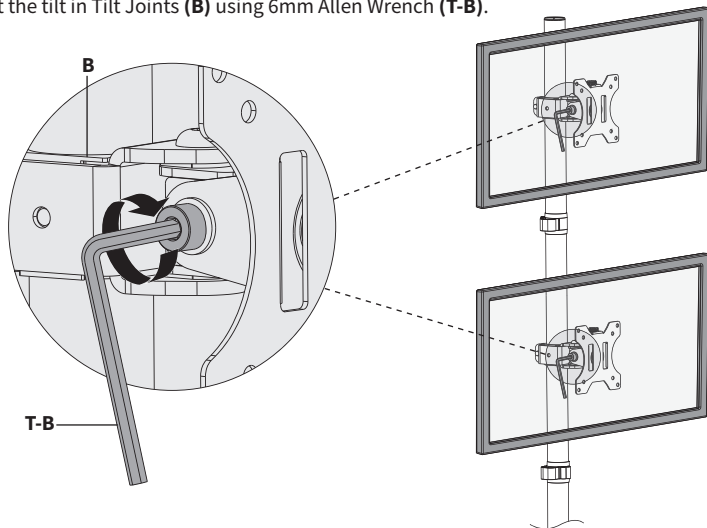
STEP 8

Slide VESA Plates (A) with monitors onto Tilt Joints (B), and secure using Thumbscrews (S-D).



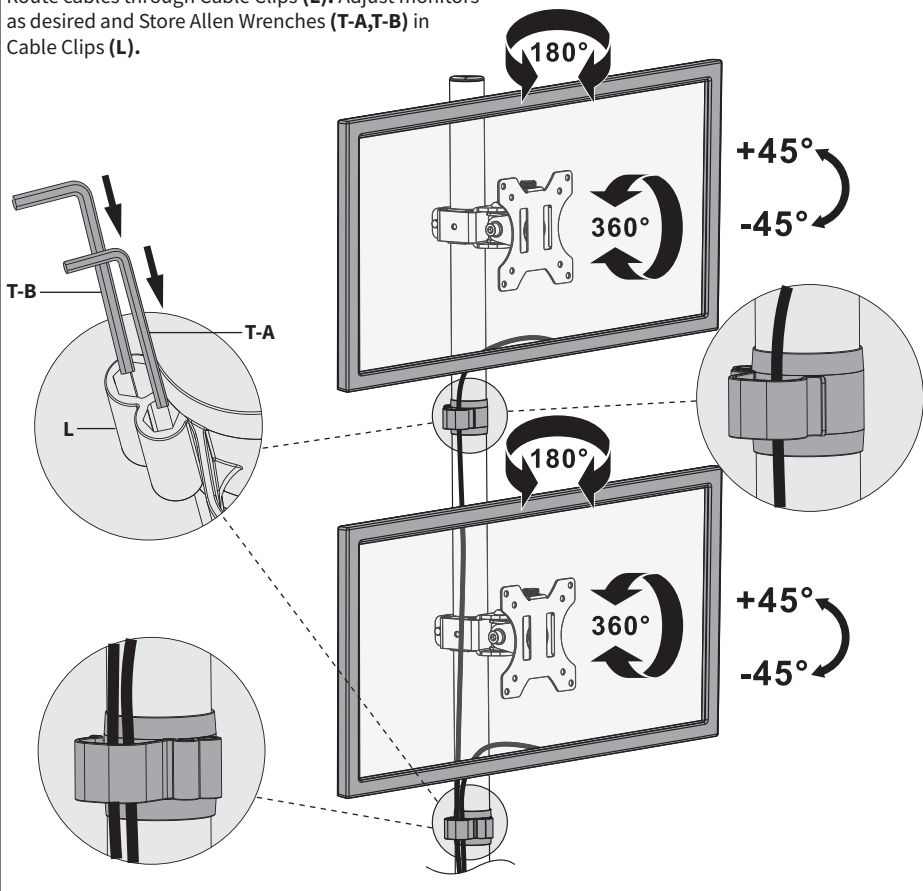
STEP 9

Adjust the tilt in Tilt Joints (**B**) using 6mm Allen Wrench (**T-B**).



STEP 10

Route cables through Cable Clips (**L**). Adjust monitors as desired and Store Allen Wrenches (**T-A, T-B**) in Cable Clips (**L**).





Love your new VIVO setup and want to share?
Tag us in your photo! **@vivo_us**

LAST UPDATED: 07/05/2023
REV1



Open **Monday - Friday 7:00am - 7:00pm** CST,
our dedicated support team can offer immediate assistance with rapid response times. If any parts are received damaged or defective, please contact us. We are happy to replace parts to ensure you have a fully functioning product.



309-278-5303

AVG. RESOLUTION TIME (*within office hrs*): **5M 4S**



www.vivo-us.com
Chat live with an agent!

AVG. RESOLUTION TIME (*within office hrs*): **< 15 M**



help@vivo-us.com

AVG. RESPONSE TIME (*within office hrs*): **1HR 8M**

- 23% within < 15m
- 38% within < 30m
- 61% within < 1hr
- 83% within < 2hr
- 92% within < 3hr