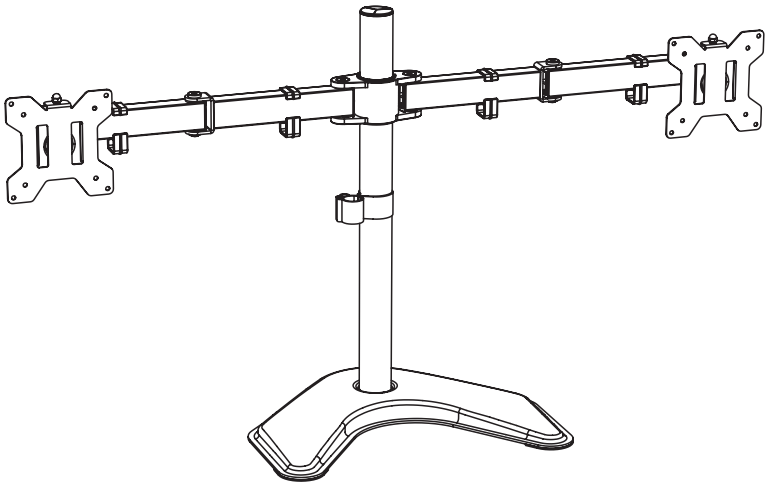




Dual Monitor Desk Stand Instruction Manual



SKU: STAND-V002F



Scan the QR code with your mobile device or follow the link for helpful videos and specifications related to this product.

<https://vivo-us.com/products/stand-v002f>

GET IN TOUCH | Monday-Friday from 7:00am-7:00pm CST



help@vivo-us.com



www.vivo-us.com
Chat live with an agent!



309-278-5303

WARNING!

If you do not understand these directions, or if you have any doubts about the safety of the installation, please call a qualified technician. Check carefully to make sure there are no missing or defective parts. Improper installation may cause damage or serious injury. Do not use this product for any purpose that is not explicitly specified in this manual. Do not exceed weight capacity. We cannot be liable for damage or injury caused by improper mounting, incorrect assembly or inappropriate use.

TIPOVER WARNING

SERIOUS OR FATAL CRUSHING INJURIES CAN OCCUR FROM TIPOVER. TO HELP PREVENT TIPOVER:

- **TO PREVENT TIPPING, PLEASE BE CAREFUL NOT TO EXTEND THE ARMS TOO FAR FORWARD OR BACKWARD.**
- NEVER ALLOW CHILDREN TO CLIMB, STAND, HANG, OR PLAY ON ANY PART OF MONITOR OR STAND.
- USE TIPOVER RESTRAINT OR ANCHOR STAND TO WALL

USE OF TIPOVER RESTRAINTS MAY ONLY REDUCE, BUT NOT ELIMINATE RISK OF TIPOVER.

WARNING: CHOKING HAZARD

SMALL PARTS - NOT FOR CHILDREN UNDER 3 YEARS. ADULT SUPERVISION IS REQUIRED.

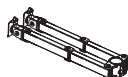
PACKAGE CONTENTS



A (x1)
Pole



B (x1)
Base



C (x1)
Swivel Arm



D (x2)
VESA Plate



E (x1)
Pole Cap



F (x4)
Arm Cable
Clip



G (x1)
Pole Cable
Clip



S-A (x3)
M6x16mm
Screw



S-B (x2)
Nut



M-A (x8)
M4x12mm
Thumbscrew



M-B (x8)
M4x30mm
Screw



M-C (x8)
M6 Spacer



T-A (x1)
3mm Allen
Wrench



T-B (x1)
5mm Allen
Wrench

NOTE: SOME HARDWARE INCLUDED MAY NOT BE USED

TOOLS NEEDED



DO NOT EXCEED WEIGHT CAPACITY.

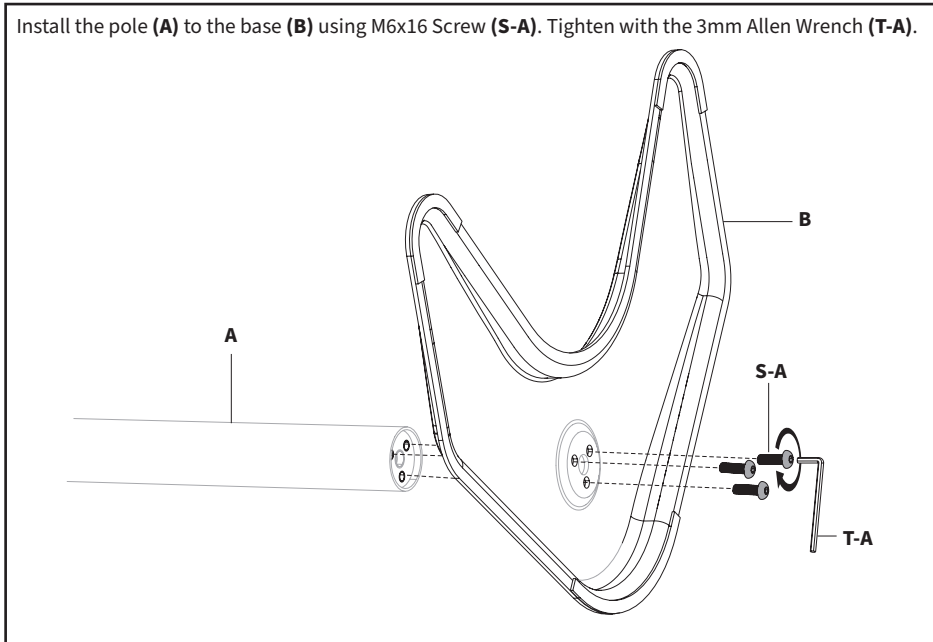
Failure to do so may result in serious injury.



ASSEMBLY STEPS

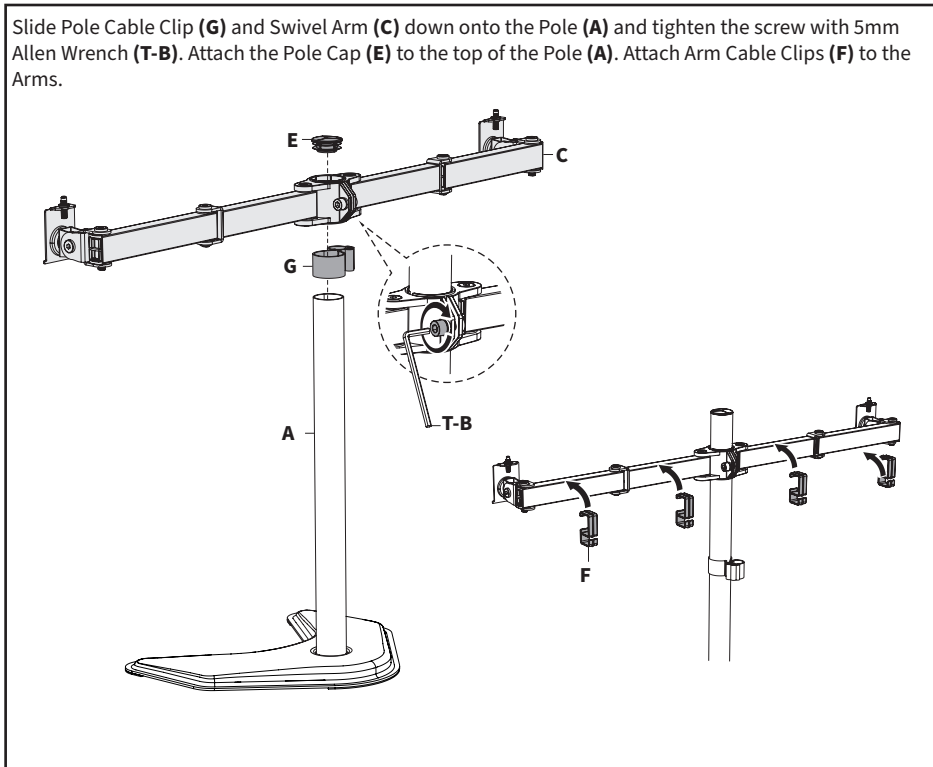
STEP 1

Install the pole (A) to the base (B) using M6x16 Screw (S-A). Tighten with the 3mm Allen Wrench (T-A).



STEP 2

Slide Pole Cable Clip (G) and Swivel Arm (C) down onto the Pole (A) and tighten the screw with 5mm Allen Wrench (T-B). Attach the Pole Cap (E) to the top of the Pole (A). Attach Arm Cable Clips (F) to the Arms.

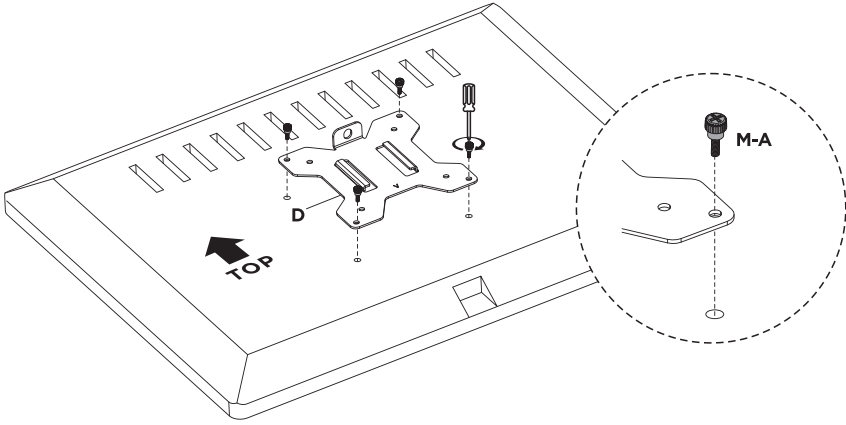


STEP 3

OPTION A: Flat Back Monitor

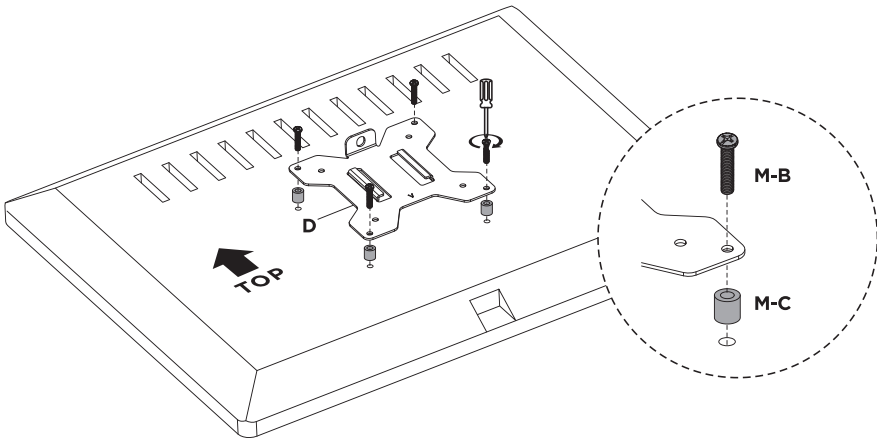
Attach the VESA Plates (D) to the monitors using M4x12mm Thumbscrew (M-A).

NOTE: Hand tighten screws to avoid stripping the plastic screw heads.



OPTION B: Curved Back Monitor

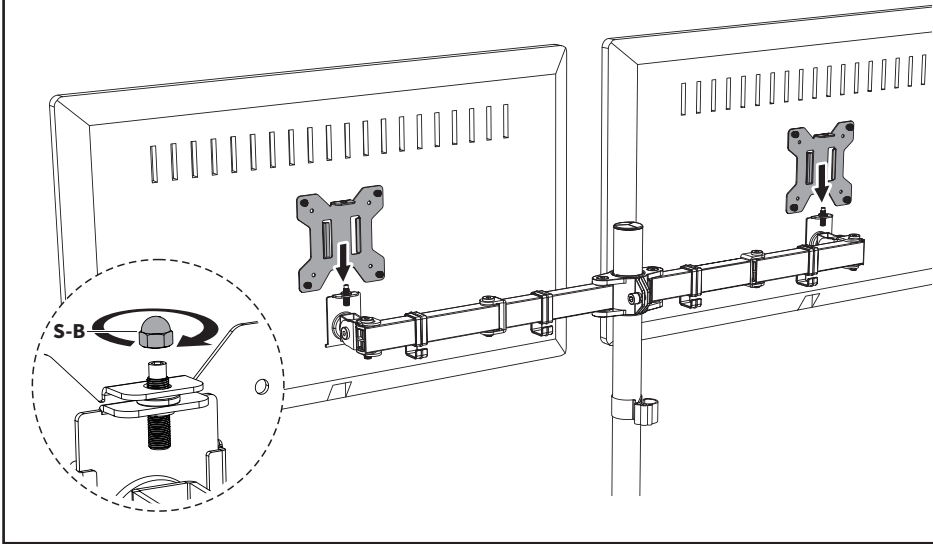
Attach the VESA Plates (D) to the monitors using M6 Spacers (M-C) and M4x30mm Screws (M-B). Tighten with a Phillips screwdriver.



STEP 4

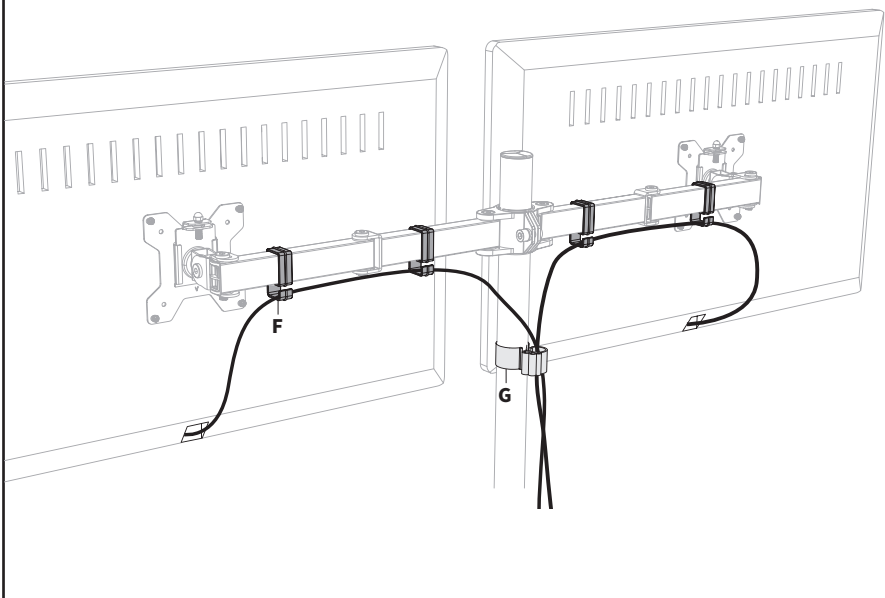
Slide the monitors onto the heads of swivel arm and install the Security Nuts (**S-B**). Make sure the security nuts are installed before you rotate the monitors.

Note: To prevent tipping, have a second person hold down the opposite arm to the one you are placing the monitor on. Ensure you are using similar sized monitors.



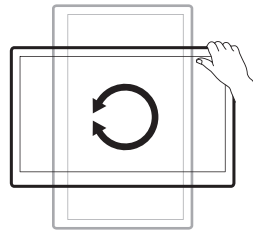
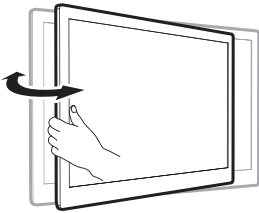
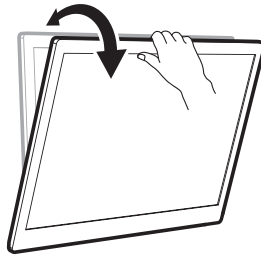
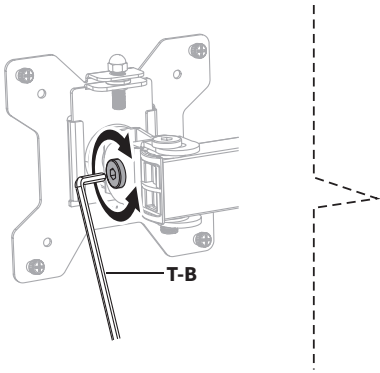
Cable Management

Use Cable Clips (**F**, **G**) to route and manage cables. Allen Wrenches (**T-A**, **T-B**) can be stored in Pole Cable Clip (**G**).

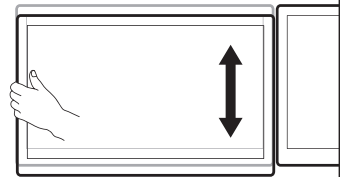
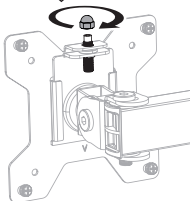
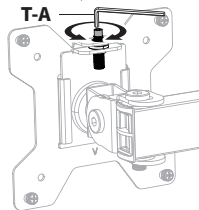
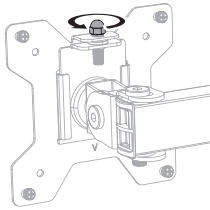


Adjust as Desired

Tighten the bolt on the side of the tilt joint with the 5mm Allen Wrench (**T-B**) to fix the tilt angle.

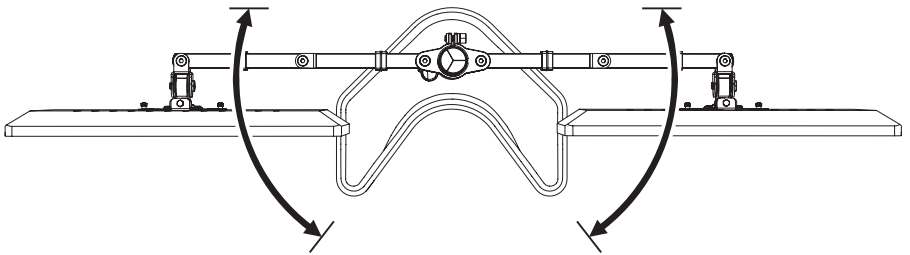


To level the monitors, remove the security nut and turn the bolt with the 3mm Allen Wrench (**T-A**) to raise or lower the monitor. Replace nut after the adjustment.



CAUTION

CAUTION: To prevent tipping, please be careful not to extend the arms beyond arrow range.





Love your new VIVO setup and want to share?
Tag us in your photo! [@vivo_us](#)

LAST UPDATED: 05/08/2023
REV1



Open **Monday - Friday 7:00am - 7:00pm** CST,
our dedicated support team can offer immediate assistance with rapid response times. If any parts are received damaged or defective, please contact us. We are happy to replace parts to ensure you have a fully functioning product.



309-278-5303

AVG. RESOLUTION TIME (*within office hrs*): **5M 4S**



www.vivo-us.com
Chat live with an agent!

AVG. RESOLUTION TIME (*within office hrs*): **< 15 M**



help@vivo-us.com

AVG. RESPONSE TIME (*within office hrs*): **1HR 8M**

- 23% within < 15m
- 38% within < 30m
- 61% within < 1hr
- 83% within < 2hr
- 92% within < 3hr

FOR MORE VIVO PRODUCTS, CHECK OUT OUR WEBSITE AT: www.vivo-us.com