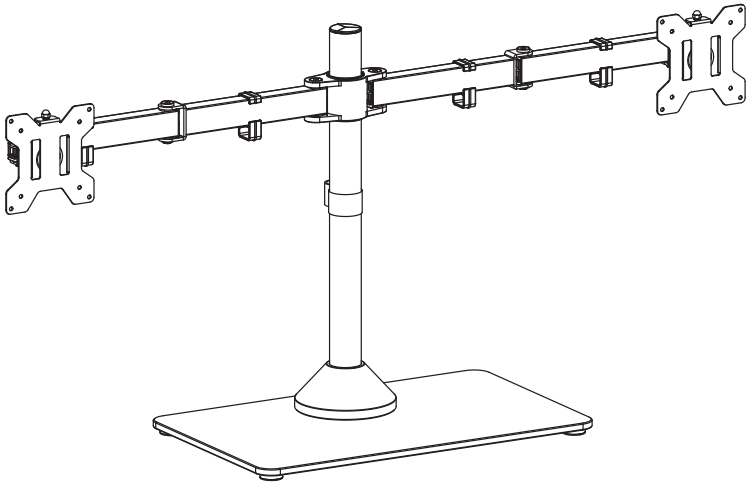




Dual Monitor Desk Stand

Instruction Manual



SKU: STAND-V002FG/W



Scan the QR code with your mobile device or follow the link for helpful videos and specifications related to this product.

<https://vivo-us.com/products/stand-v002fg>

GET IN TOUCH | Monday-Friday from 7:00am-7:00pm CST



help@vivo-us.com



www.vivo-us.com
Chat live with an agent!



309-278-5303

WARNING!

If you do not understand these directions, or if you have any doubts about the safety of the installation, please call a qualified technician. Check carefully to make sure there are no missing or defective parts. Improper installation may cause damage or serious injury. Do not use this product for any purpose that is not explicitly specified in this manual. Do not exceed weight capacity. We cannot be liable for damage or injury caused by improper mounting, incorrect assembly or inappropriate use.

TIPOVER WARNING

SERIOUS OR FATAL CRUSHING INJURIES CAN OCCUR FROM TIPOVER. TO HELP PREVENT TIPOVER:

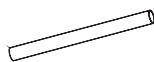
- NEVER ALLOW CHILDREN TO CLIMB, STAND, HANG, OR PLAY ON ANY PART OF MONITOR OR STAND.
- USE TIPOVER RESTRAINT OR ANCHOR STAND TO WALL

USE OF TIPOVER RESTRAINTS MAY ONLY REDUCE, BUT NOT ELIMINATE RISK OF TIPOVER.

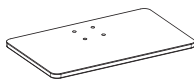
WARNING: CHOKING HAZARD

SMALL PARTS - NOT FOR CHILDREN UNDER 3 YEARS. ADULT SUPERVISION IS REQUIRED.

PACKAGE CONTENTS



A (x1)
Pole



B (x1)
Glass Base



C (x1)
Grommet Plate



D (x1)
Arm



E (x1)
Pole Cover



F (x2)
VESA Plate



G (x4)
Foot



H (x1)
Grommet Soft Pad



I (x1)
Pole Cable Clip



J (x4)
Arm Cable Clip



K (x4)
Soft Pad



L (x1)
Pole Cap



S-A (x3)
M6x16mm
Screw



S-B (x4)
M6x10mm
Screw



S-C (x4)
M6 Washer



S-D (x2)
Security Nut



M-A (x8)
M4x12mm
Thumbscrew



M-B (x8)
M4x30mm
Screw



M-C (x8)
M4 Spacer



T-A (x1)
3mm Allen
Wrench



T-B (x1)
4mm Allen
Wrench



T-C (x1)
5mm Allen
Wrench

TOOLS NEEDED



Phillips
Screwdriver

NOTE: SOME HARDWARE INCLUDED MAY NOT BE USED

DO NOT EXCEED WEIGHT CAPACITY.

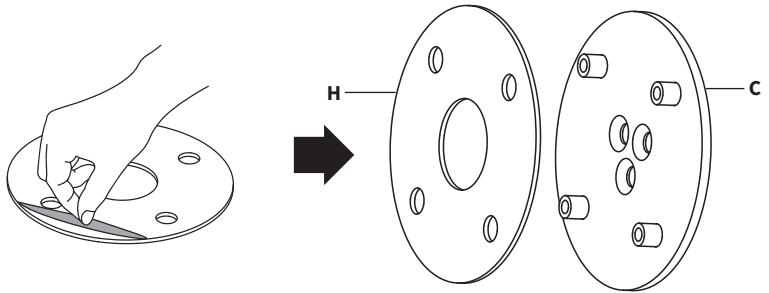
Failure to do so may result in serious injury.



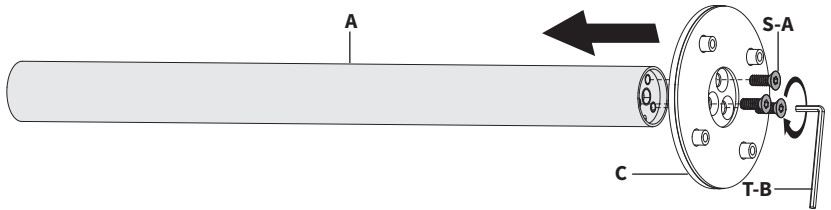
ASSEMBLY STEPS

STEP 1

Remove adhesive backing from Grommet Soft Pad (H) and apply it to the bottom of Grommet Plate (C).

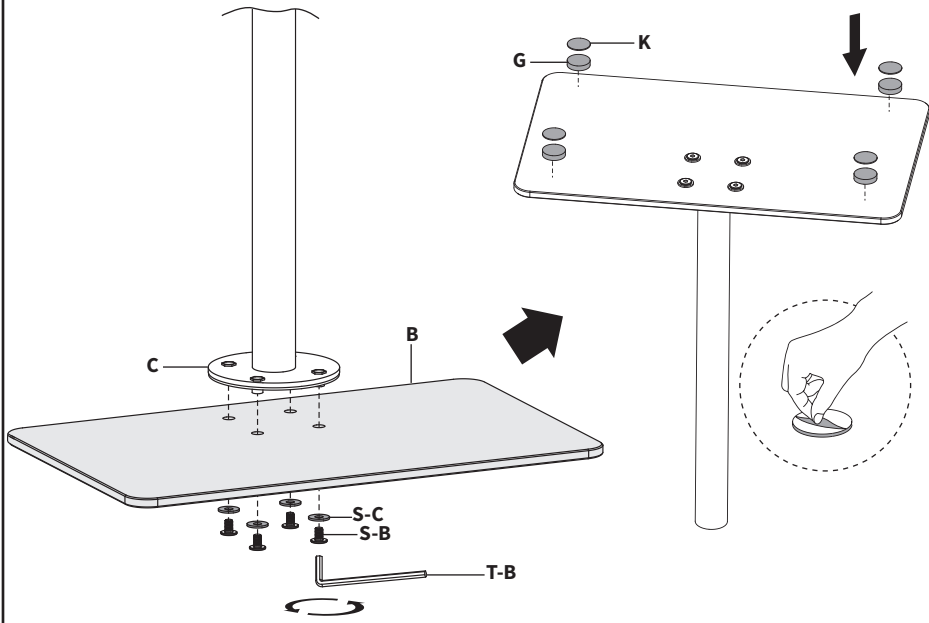


Assemble Grommet Plate (C) to the underside of Pole (A) using M6x16mm Screws (S-A) and 4mm Allen Wrench (T-B).



STEP 2

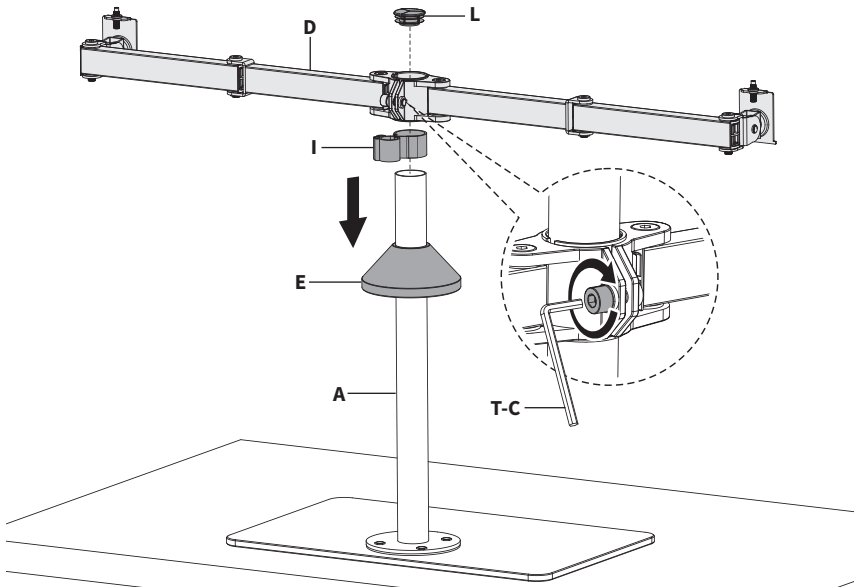
Secure Grommet Plate (C) to Glass Base (B) using M6x10mm Screws (S-B) with M6 Washers (S-C) and 4mm Allen Wrench (T-B). Remove adhesive backing from Feet (G) and apply them to the bottom of Glass Base (B). Remove adhesive backing from Soft Pads (K) and apply them to Feet (G).



STEP 3

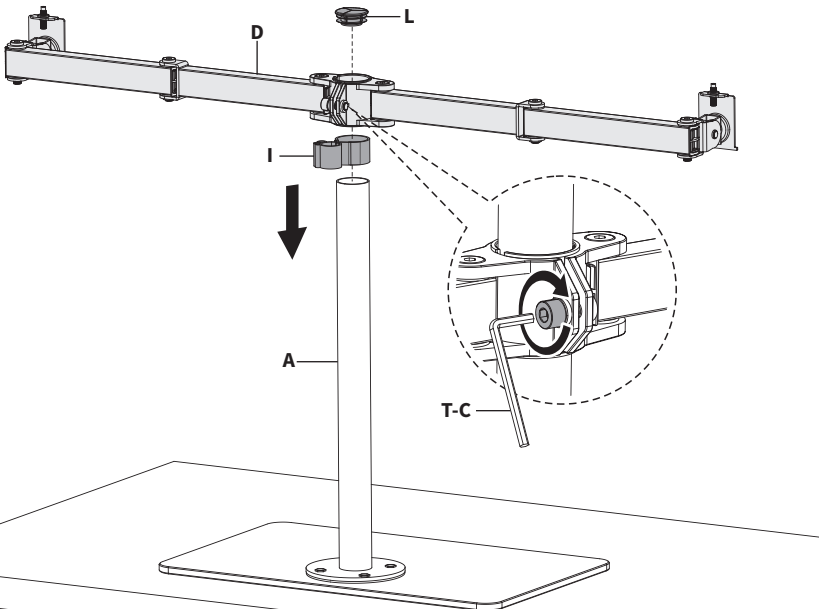
Option A: Pole Cover

Slide Pole Cover (E), Pole Cable Clip (I), and Arm (D) onto Pole (A). Secure Arm (D) in place using 5mm Allen Wrench (T-C). Insert Pole Cap (L) into the top of Pole (A).



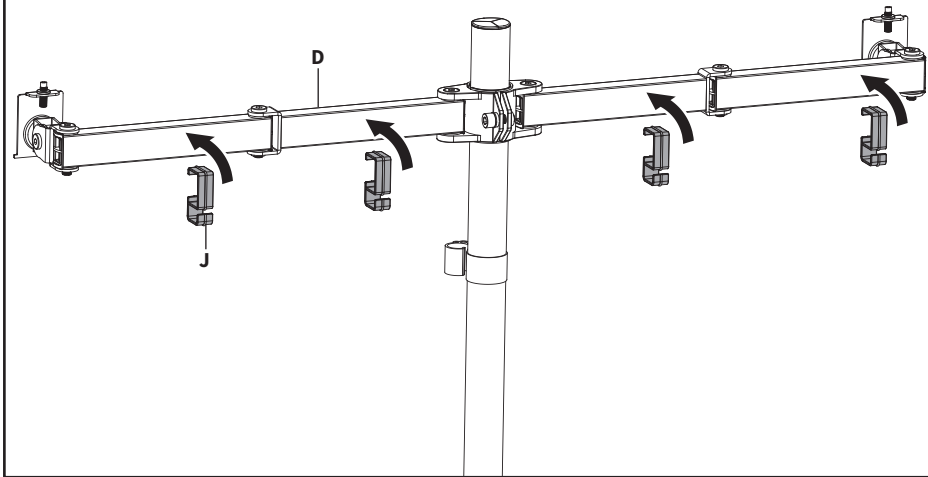
Option B: No Pole Cover

Slide Pole Cable Clip (I) and Arm (D) onto Pole (A). Secure Arm (D) in place using 5mm Allen Wrench (T-C). Insert Pole Cap (L) into the top of Pole (A).



STEP 4

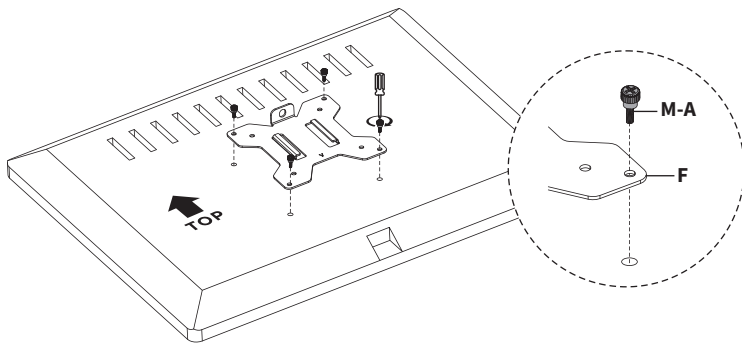
Attach Arm Cable Clips (**J**) to Arm (**D**).



STEP 5

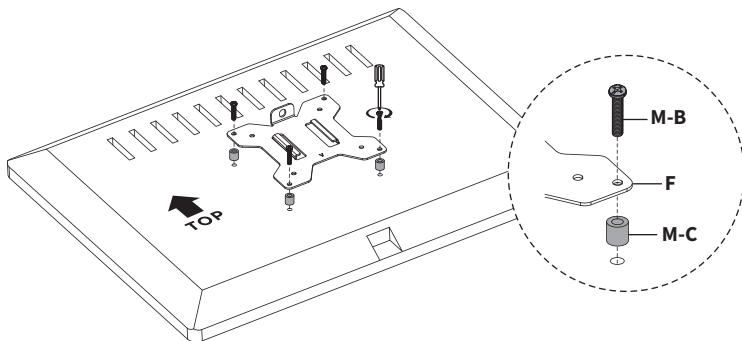
Option A: Flat Back Monitor

Assemble VESA Plates (**F**) to the back of monitors using M4x12mm Thumbscrews (**M-A**).



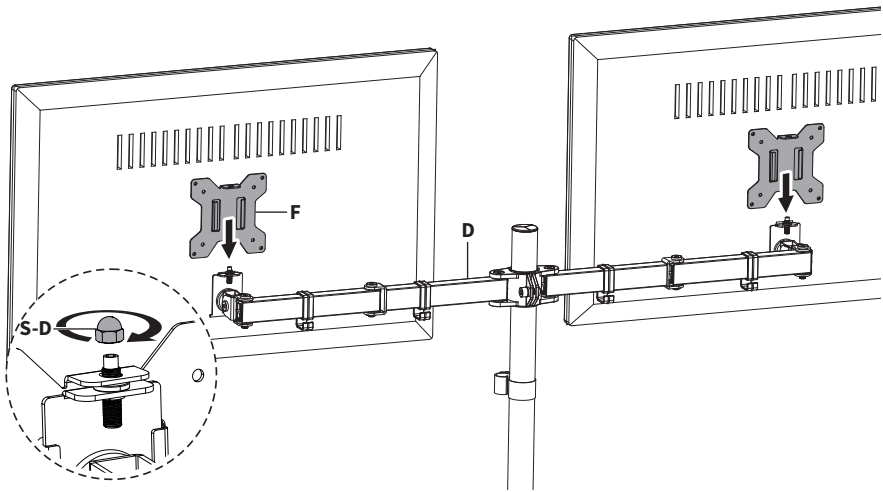
Option B: Curved Back Monitor

Assemble VESA Plates (**F**) to the back of monitors using M4x30mm Screws (**M-B**) with M4 Spacers (**M-C**).

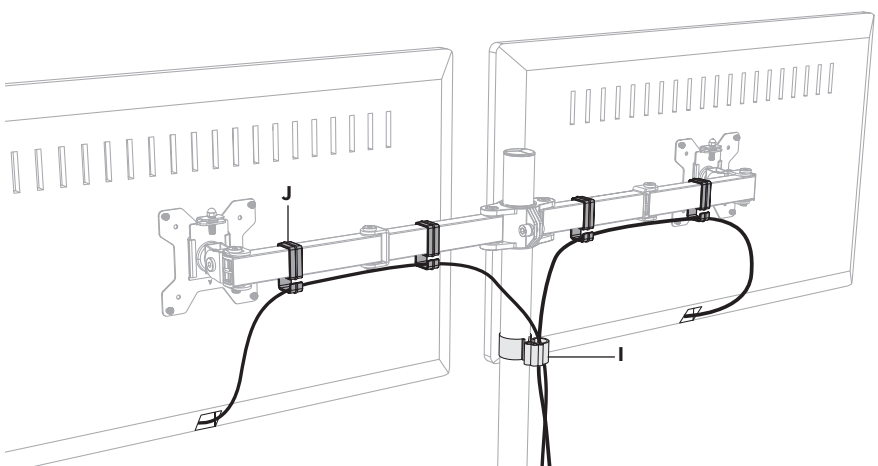


STEP 6

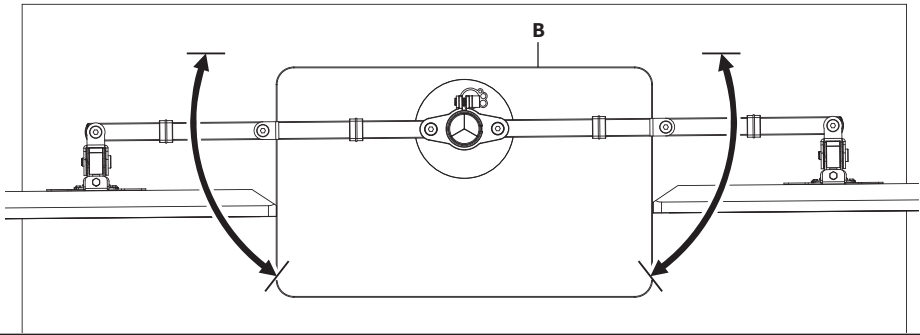
Slide VESA Plates (F) with monitors onto Arm (D) and secure using Security Nuts (S-D).



Route cables through Pole Cable Clip (I) and Arm Cable Clips (J).

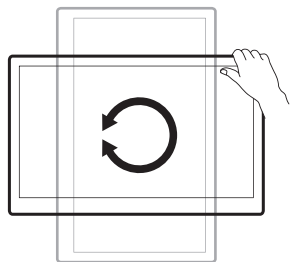
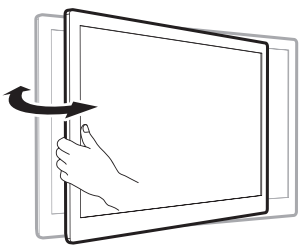
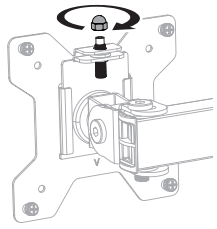
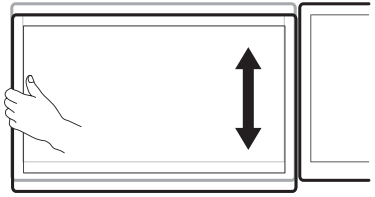
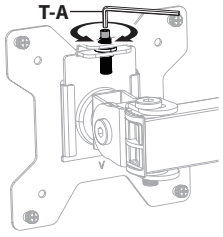
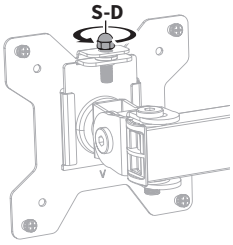
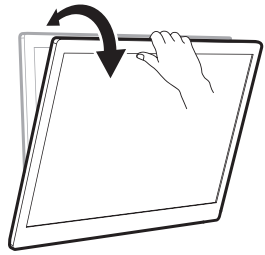
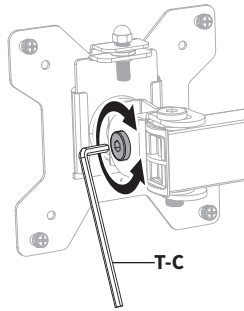


To avoid tipping, do not move arms past the back or front of Glass Base (B).



STEP 7

Adjust the tilt of monitors using 5mm Allen Wrench (**T-C**). To level the monitors, remove Security Nuts (**S-D**) and adjust the leveling screw using 3mm Allen Wrench (**T-A**). Adjust as desired.





Love your new VIVO setup and want to share?
Tag us in your photo! **@vivo_us**

LAST UPDATED: 05/01/2023
REV1.1L



Open **Monday - Friday 7:00am - 7:00pm** CST,
our dedicated support team can offer immediate assistance with rapid response times. If any parts are received damaged or defective, please contact us. We are happy to replace parts to ensure you have a fully functioning product.



309-278-5303

AVG. RESOLUTION TIME (*within office hrs*): **5M 4S**



www.vivo-us.com
Chat live with an agent!

AVG. RESOLUTION TIME (*within office hrs*): **< 15 M**



help@vivo-us.com

AVG. RESPONSE TIME (*within office hrs*): **1HR 8M**

- 23% within < 15m
- 38% within < 30m
- 61% within < 1hr
- 83% within < 2hr
- 92% within < 3hr

FOR MORE VIVO PRODUCTS, CHECK OUT OUR WEBSITE AT: www.vivo-us.com