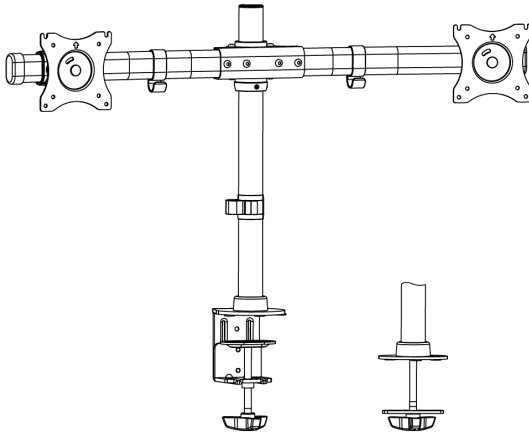




Dual Monitor Desk Mount

Instruction Manual



SKU: STAND-V002E



Scan the QR code with your mobile device or follow the link for helpful videos and specifications related to this product.

<https://vivo-us.com/products/stand-v002e>

GET IN TOUCH | Monday-Friday from 7:00am-7:00pm CST



help@vivo-us.com



www.vivo-us.com
Chat live with an agent!



309-278-5303

WARNING!

If you do not understand these directions, or if you have any doubts about the safety of the installation, please call a qualified technician. Check carefully to make sure there are no missing or defective parts. Improper installation may cause damage or serious injury. Do not use this product for any purpose that is not explicitly specified in this manual. Do not exceed weight capacity. We cannot be liable for damage or injury caused by improper mounting, incorrect assembly or inappropriate use.

TIPOVER WARNING

SERIOUS OR FATAL CRUSHING INJURIES CAN OCCUR FROM TIPOVER. TO HELP PREVENT TIPOVER:

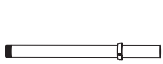
- NEVER ALLOW CHILDREN TO CLIMB, STAND, HANG, OR PLAY ON ANY PART OF MONITOR OR STAND.
- USE TIPOVER RESTRAINT OR ANCHOR STAND TO WALL

USE OF TIPOVER RESTRAINTS MAY ONLY REDUCE, BUT NOT ELIMINATE RISK OF TIPOVER.

WARNING: CHOKING HAZARD

SMALL PARTS - NOT FOR CHILDREN UNDER 3 YEARS. ADULT SUPERVISION IS REQUIRED.

PACKAGE CONTENTS



A (x1)
Pole



B (x1)
Clamp



C (x1)
Grommet Base



D (x1)
Arm Support
Bracket



E (x2)
VESA Bracket



F (x2)
Arm



G (x1)
Pole Cap



H (x1)
Cable Clip



I (x1)
Plastic Cover



J (x2)
Cable Clip 2



K (x2)
Arm Cap



L (x1)
Support Plate



M (x5)
Rubber Pad



N (x2)
M5x7



O (x1)
3mm Allen
Wrench



P (x1)
4mm Allen
Wrench



Q (x1)
6mm Allen
Wrench



M-A (x8)
M4x12



M-B (x8)
M5x12



M-C (x8)
D5 Washer

NOTE: SOME HARDWARE INCLUDED MAY NOT BE USED

TOOLS NEEDED



DO NOT EXCEED WEIGHT CAPACITY.

Failure to do so may result in serious injury.

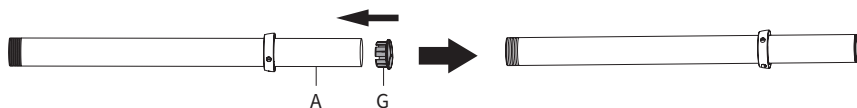
22lbs
(9.98kg)

PER ARM

ASSEMBLY STEPS

STEP 1

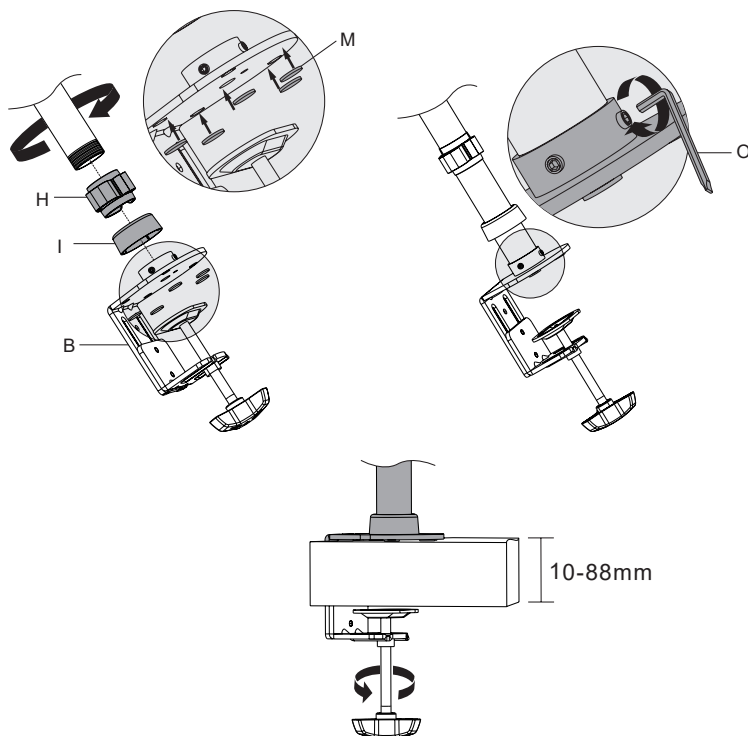
Insert pole cap (G) into pole (A).



STEP 2

OPTION A: Clamp Installation

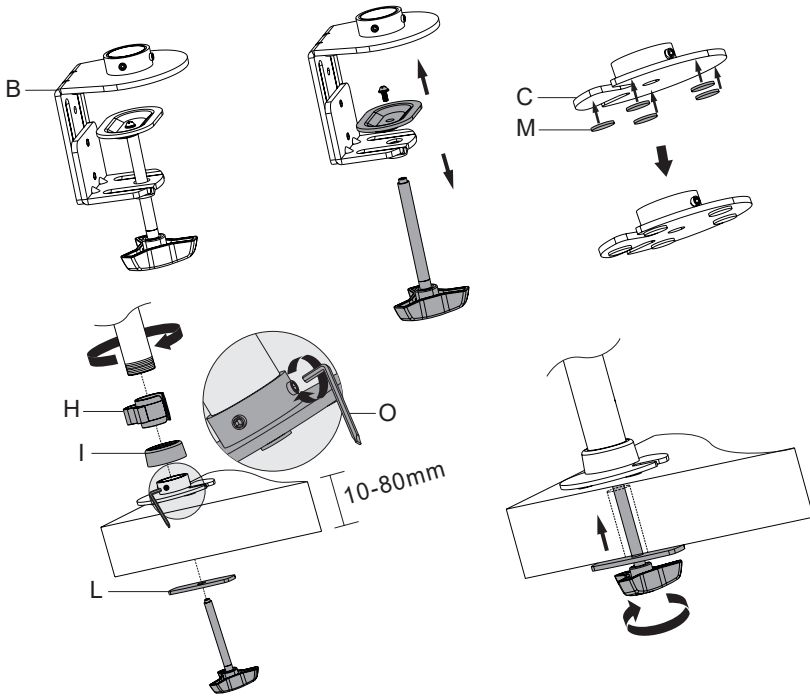
Slide cable management clip (H) and plastic cover (I) onto bottom of pole (A). Stick rubber pads (M) to bottom of clamp (B). Thread pole (A) onto clamp (B). Tighten grub screws in bottom of clamp (B) using 3mm allen wrench (O). Secure clamp (B) to desktop as shown in diagram.



STEP 2 (Continued)

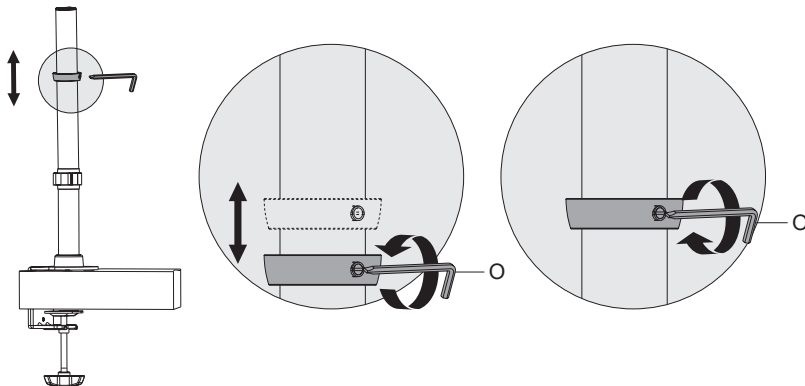
OPTION B: Grommet Base Installation

Remove screw from top of bolt in clamp (B). Stick rubber pads (M) to bottom of grommet base (C). Slide cable management clip (H) and plastic cover (I) onto bottom of pole (A). Thread pole (A) onto grommet base (C). Tighten grub screws in bottom of grommet base (C) using 3mm allen wrench (O). Slide support plate (L) over bolt and slide through grommet hole in bottom of desktop. Thread into bottom of pole (A).



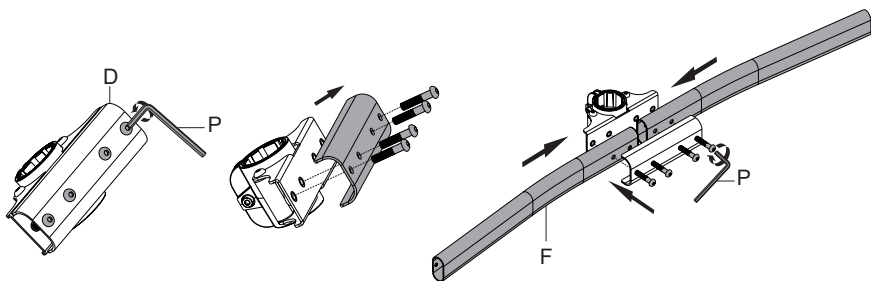
STEP 3

Adjust height of stopper using 3mm allen wrench (O).



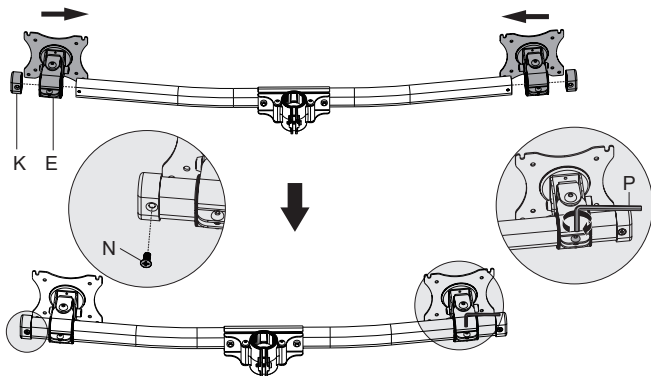
STEP 4

Remove screws from support bracket (**D**) using 4mm allen wrench (**P**). Insert arms (**F**) into support bracket (**D**) as shown in diagram and re-insert screws using 4mm allen wrench (**P**).



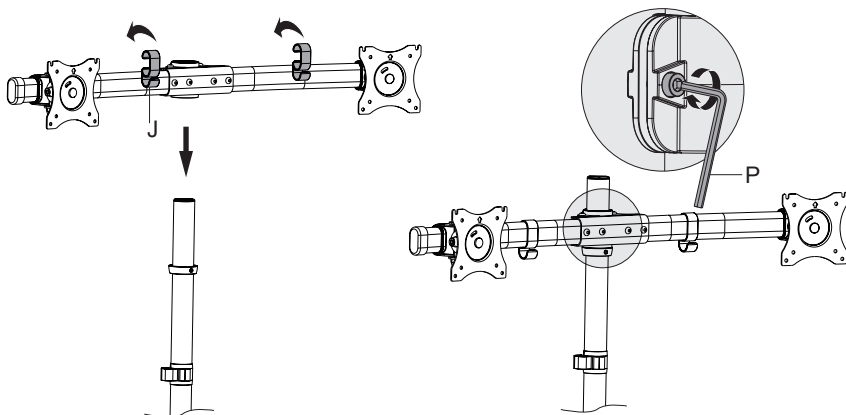
STEP 5

Slide VESA mounts (**E**) onto arms (**F**) and tighten using 4mm allen wrench (**P**). Slide on arm caps (**K**) and secure with screws (**N**).



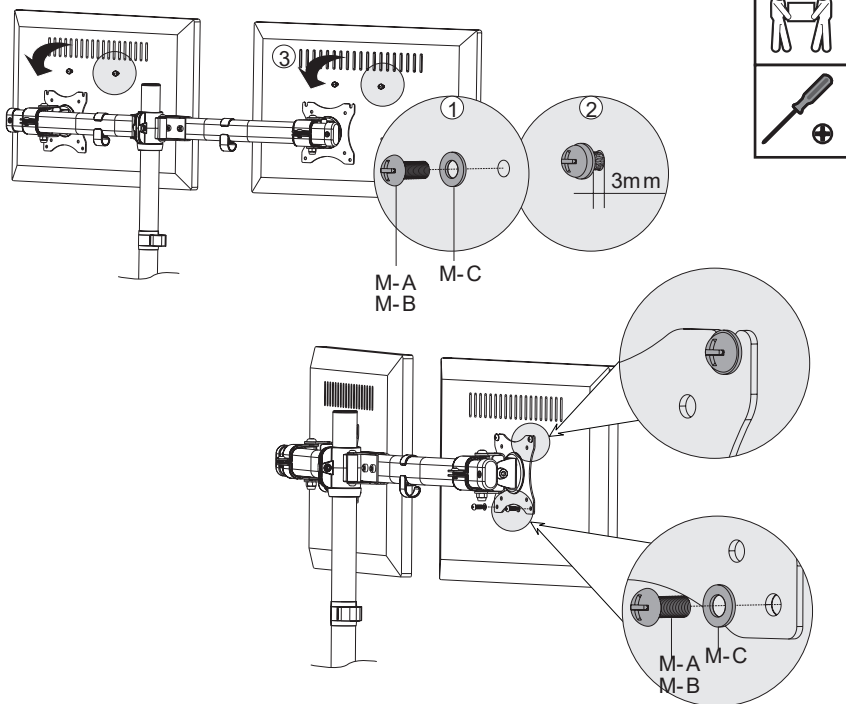
STEP 6

Attach wire clips (**J**) to arms (**F**) as shown in diagram. Slide arms (**F**) onto pole (**A**) as shown in diagram and tighten with 4mm allen wrench (**P**).



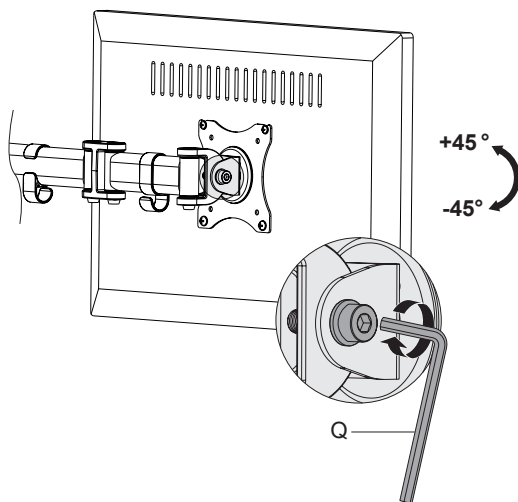
STEP 7

Insert screws (**M-A or M-B**) and washers (**M-C**) into top two holes on monitors. Leave slightly loosened. Slide monitors onto VESA plates and insert screws (**M-A or M-B**) and washers (**M-C**) into bottom two holes on monitors. Tighten all screws.



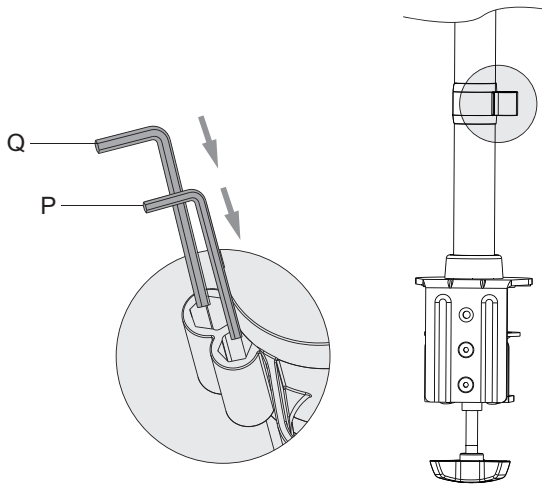
STEP 8

Adjust the tilt angle of monitors using 6mm allen wrench (**Q**) as shown in diagram.

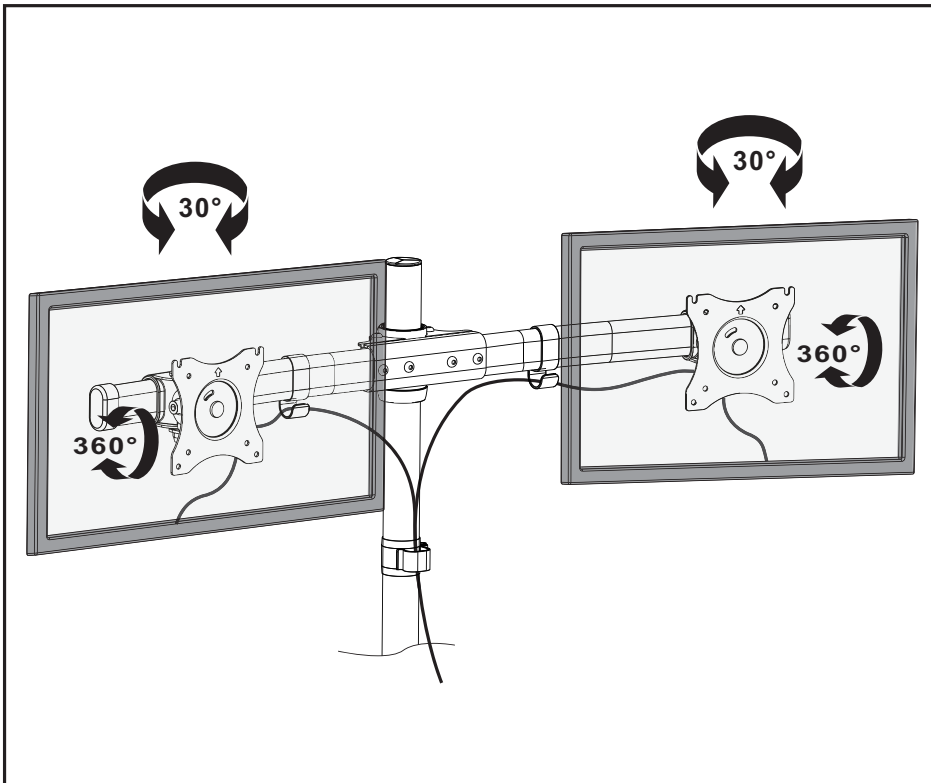


STEP 9

Store allen wrenches (**O**, **P**, **Q**) as shown in diagram.



Adjust as Desired





Open **Monday - Friday 7:00am - 7:00pm** CST,

our dedicated support team can offer immediate assistance with rapid response times. If any parts are received damaged or defective, please contact us. We are happy to replace parts to ensure you have a fully functioning product.


 help@vivo-us.com

AVG. RESPONSE TIME (*within office hrs*): **1HR 8M**

- 23% within < 15m
- 38% within < 30m
- 61% within < 1hr
- 83% within < 2hr
- 92% within < 3hr

 www.vivo-us.com
Chat live with an agent!

AVG. RESOLUTION TIME (*within office hrs*): **< 15 M**

 309-278-5303

AVG. RESOLUTION TIME (*within office hrs*): **5M 4S**