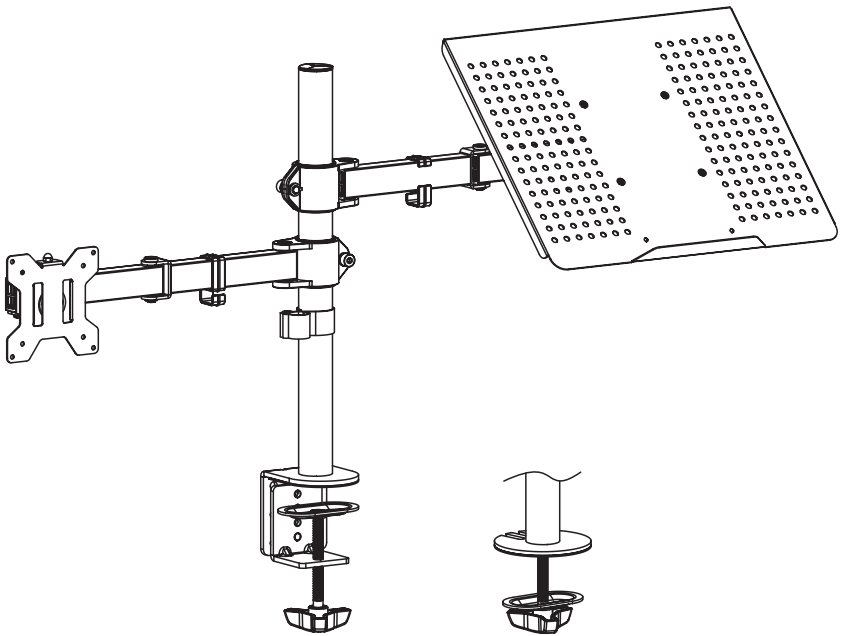




Single Monitor and Laptop Desk Mount

Instruction Manual



SKU: STAND-V002C/CW



Scan the QR code with your mobile device or follow the link for helpful videos and specifications related to this product.

<https://vivo-us.com/products/stand-v002c>

GET IN TOUCH | Monday-Friday from 7:00am-7:00pm CST



help@vivo-us.com



www.vivo-us.com
Chat live with an agent!



309-278-5303



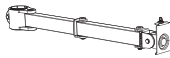

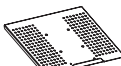















⚠️ WARNING!

If you do not understand these directions, or if you have any doubts about the safety of the installation, please call a qualified technician. Check carefully to make sure there are no missing or defective parts. Improper installation may cause damage or serious injury. Do not use this product for any purpose that is not explicitly specified in this manual. Do not exceed weight capacity. We cannot be liable for damage or injury caused by improper mounting, incorrect assembly or inappropriate use.

⚠️ WARNING: CHOKING HAZARD

SMALL PARTS - NOT FOR CHILDREN UNDER 3 YEARS. ADULT SUPERVISION IS REQUIRED.

PACKAGE CONTENTS

				
A (x1) Pole	B (x1) Clamp	C (x2) Arm	D (x2) VESA Plate	E (x1) Laptop Tray
				
F (x1) Grommet Base	G (x1) Soft Pad	H (x4) Arm Cable Clip	I (x1) Pole Cable Clip	J (x1) Pole Cap
				
S-A (x4) M4x8 Screw	S-B (x4) M4 Nut	S-C (x2) M6 Nut	S-D (x3) M6x16 Screw	M-A (x8) M4x12 Thumbscrew
				
M-B (x8) M4x30 Screw	M-C (x8) M4 Spacer	T-A (x1) 3mm Allen Wrench	T-B (x1) 5mm Allen Wrench	T-C (x1) Wrench

TOOLS NEEDED



NOTE: SOME HARDWARE INCLUDED MAY NOT BE USED

DO NOT EXCEED WEIGHT CAPACITY.

Failure to do so may result in serious injury.



⚠️ TIPOVER WARNING

SERIOUS OR FATAL CRUSHING INJURIES CAN OCCUR FROM TIPOVER. TO HELP PREVENT TIPOVER:

- NEVER ALLOW CHILDREN TO CLIMB, STAND, HANG, OR PLAY ON ANY PART OF MONITOR OR STAND.
- USE TIPOVER RESTRAINT OR ANCHOR STAND TO WALL

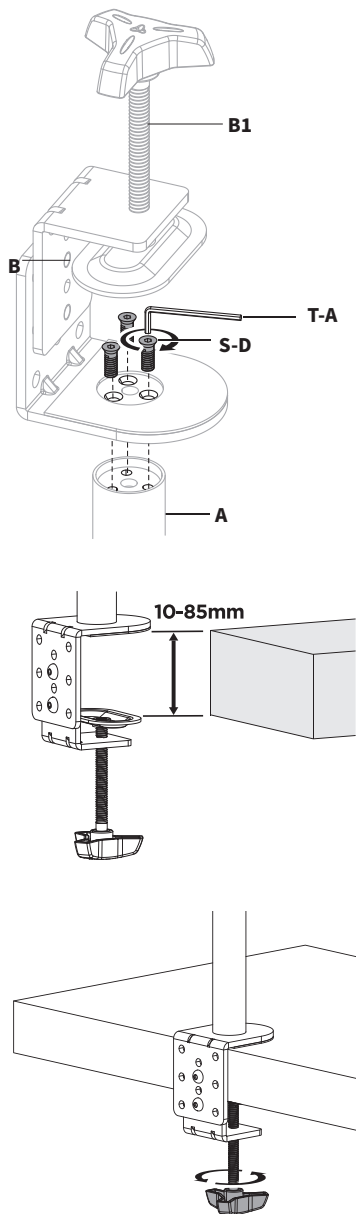
USE OF TIPOVER RESTRAINTS MAY ONLY REDUCE, BUT NOT ELIMINATE RISK OF TIPOVER.

ASSEMBLY STEPS

STEP 1

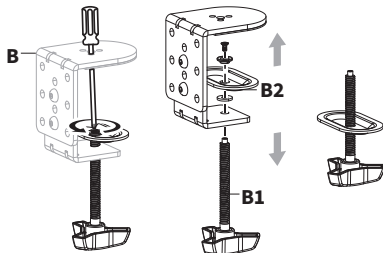
Option A: Desk Clamp Install

Loosen Clamp Bolt (**B1**) on Clamp (**B**). Install Clamp (**B**) to Pole (**A**) using M6x16 Screws (**S-D**) and 3mm Allen Wrench (**T-A**). Secure the clamp assembly to the desktop.

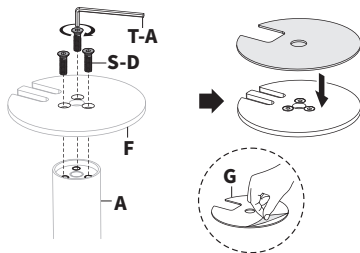


Option B: Grommet Install

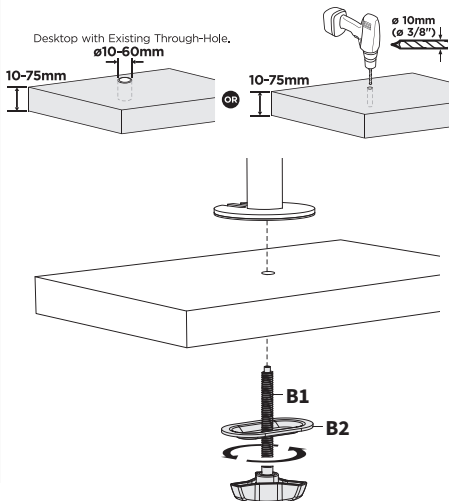
Using a Phillips screwdriver, remove the screw from Clamp (**B**) and separate Clamp Bolt (**B1**) and Clamp Plate (**B2**) from the clamp assembly. Thread Clamp Plate (**B2**) onto Clamp Bolt (**B1**).



Install Grommet Base (**F**) to Pole (**A**) using M6x16mm Screws (**S-D**) and 3mm Allen Wrench (**T-A**). Remove adhesive backing from Soft Pad (**G**) and stick it to the bottom of Grommet Base (**F**).

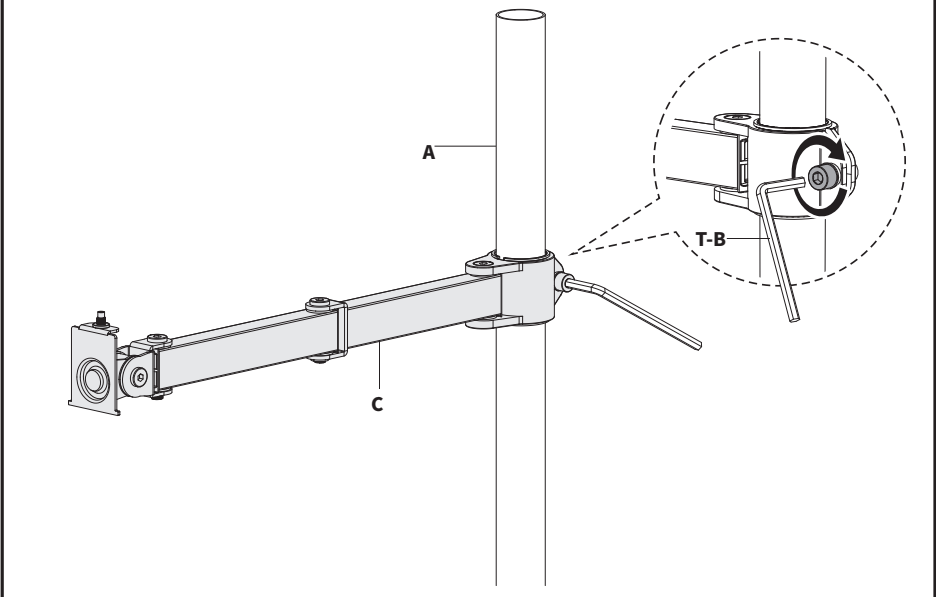


If not using an existing through-hole for mounting, use a 3/8" (10mm) drill bit to create a mounting hole in the desired location. Thread Clamp Bolt (**B1**) with Clamp Plate (**B2**) through the mounting hole and into Pole (**A**).



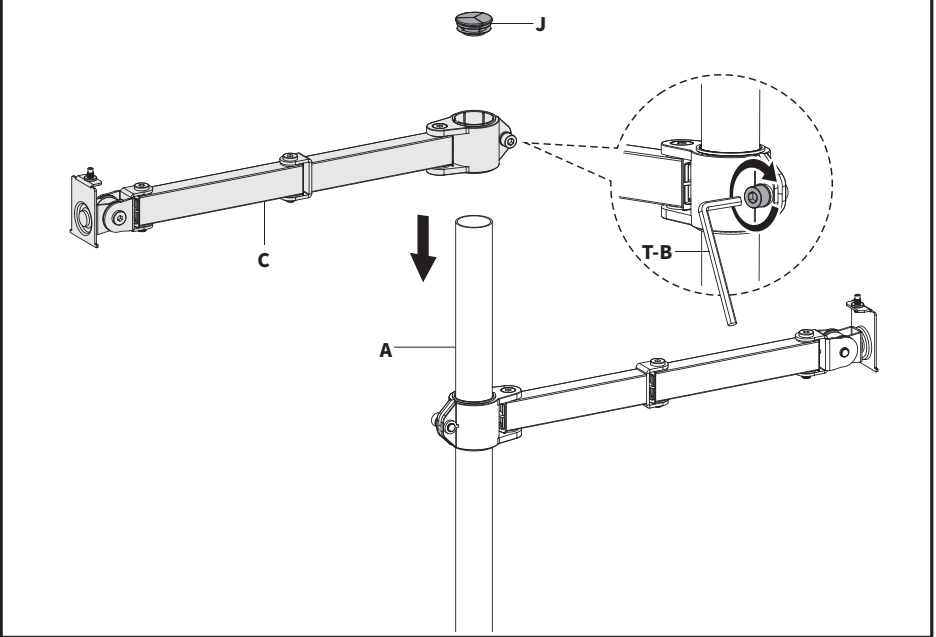
STEP 2

Slide Arm (C) over Pole (A). Secure Arm (C) at the desired height using 5mm Allen Wrench (T-B).



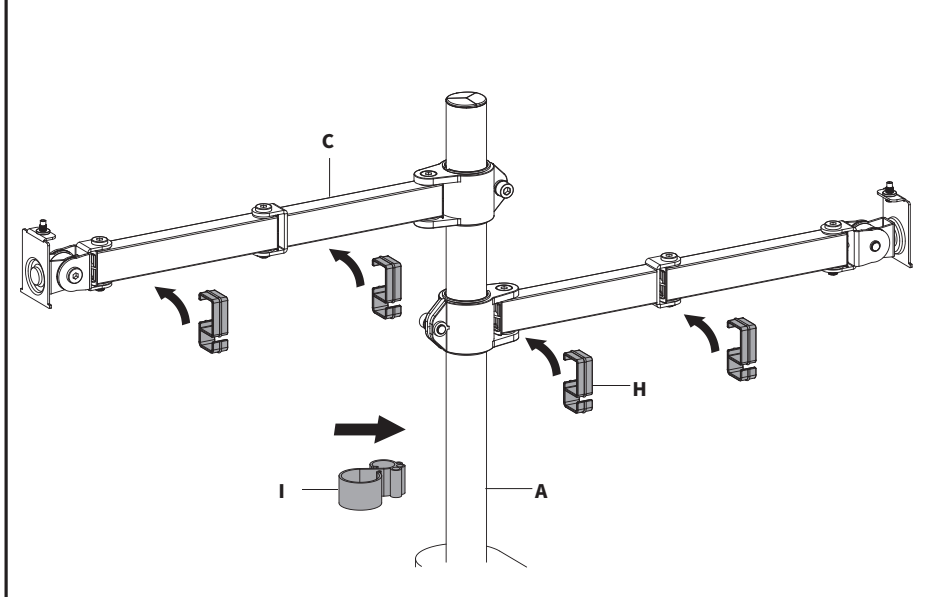
STEP 3

Slide Arm (C) over Pole (A). Secure Arm (C) at the desired height using 5mm Allen Wrench (T-B). Insert Pole Cap (J) into the top of Pole (A).



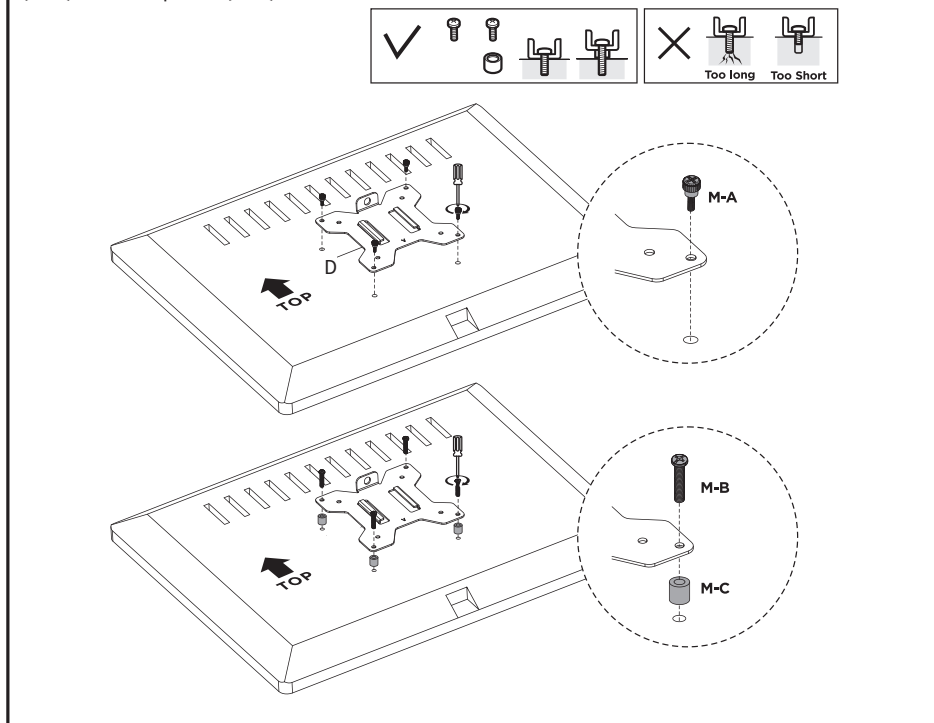
STEP 4

Attach Arm Cable Clips (**H**) to Arm (**C**) and Pole Cable Clip (**I**) to Pole (**A**).



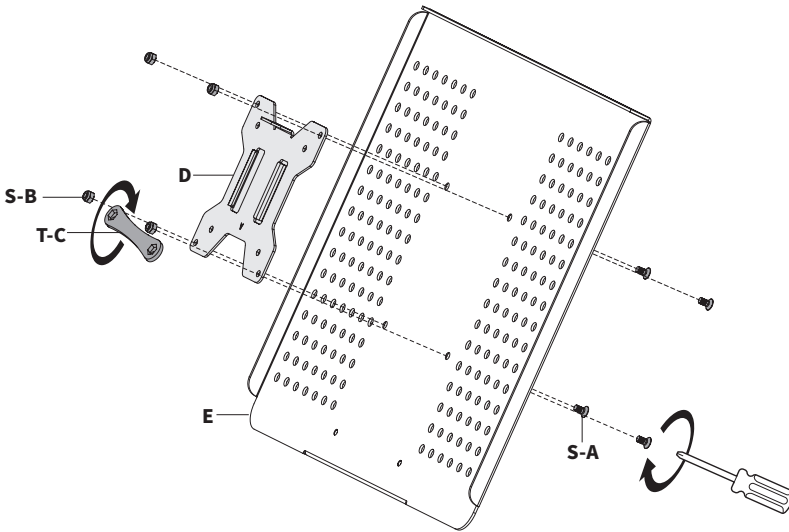
STEP 5

Attach VESA Plate (**D**) to the back of the monitor using M4x12 Thumbscrews (**M-A**) or M4x30 Screws (**M-B**) with M4 Spacers (**M-C**).



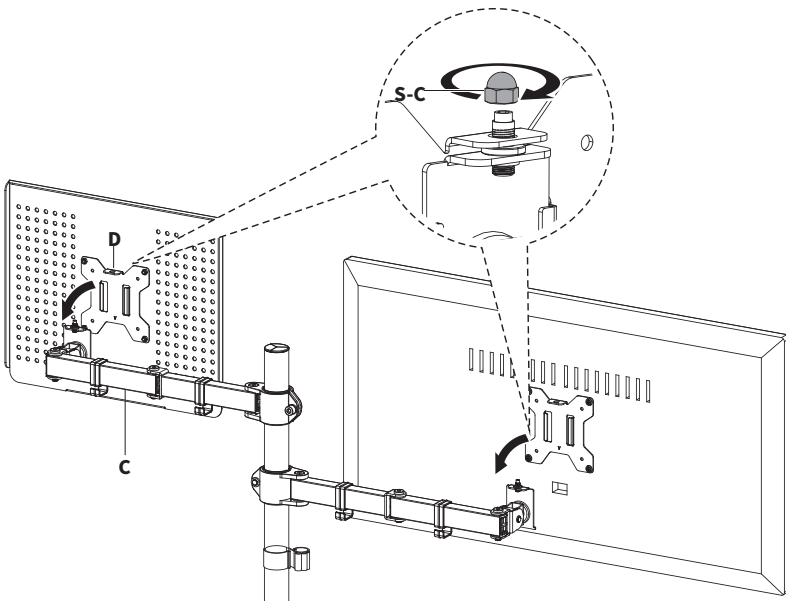
STEP 6

Assemble VESA Plate (**D**) to Laptop Tray (**E**) using M4x8 Screws (**S-A**) and M4 Nuts (**S-B**). Tighten using Wrench (**T-C**) and a Phillips screwdriver.



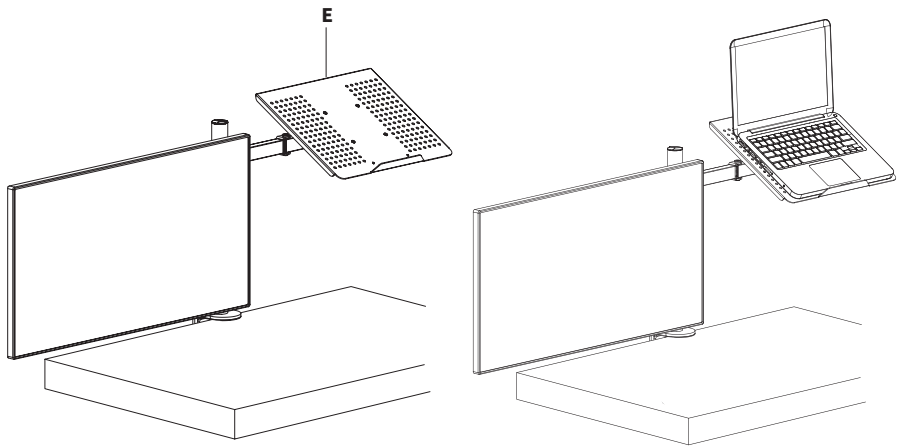
STEP 7

Slide VESA Plates (**D**) onto Arms (**C**). Secure the assembly in place using M6 Nuts (**S-C**).



STEP 8

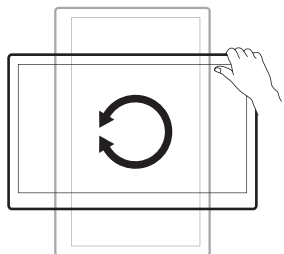
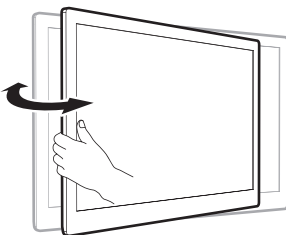
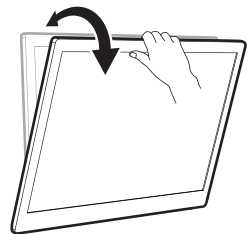
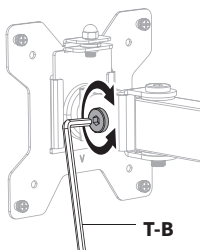
Place your laptop on Laptop Tray (**E**).



STEP 9

Adjust the tilt using 5mm Allen Wrench (**T-B**).

Note: If the display does not stop at your desired position, tighten the screw as shown.





Love your new VIVO setup and want to share?
Tag us in your photo! [@vivo_us](#)

LAST UPDATED: 09/07/2023
REV2L



Open **Monday - Friday 7:00am - 7:00pm** CST,
our dedicated support team can offer immediate assistance with rapid response times. If any parts are received damaged or defective, please contact us. We are happy to replace parts to ensure you have a fully functioning product.



309-278-5303

AVG. RESOLUTION TIME (*within office hrs*): **5M 4S**



www.vivo-us.com
Chat live with an agent!

AVG. RESOLUTION TIME (*within office hrs*): **< 15 M**



help@vivo-us.com

AVG. RESPONSE TIME (*within office hrs*): **1HR 8M**

- 23% within < 15m
- 38% within < 30m
- 61% within < 1hr
- 83% within < 2hr
- 92% within < 3hr