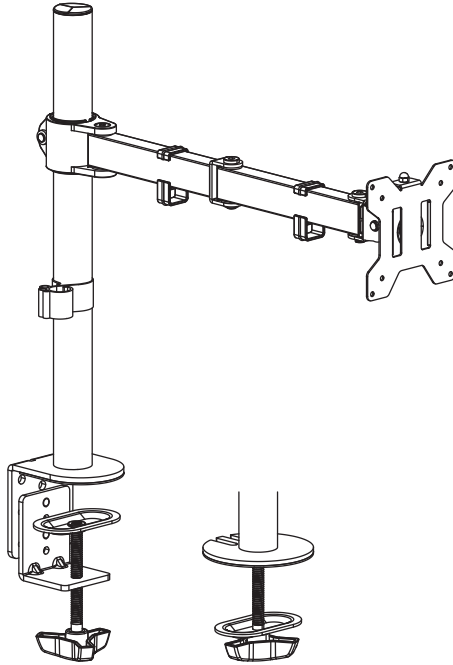




Single Monitor Desk Mount

Instruction Manual



SKU: STAND-V001,W



Scan the QR code with your mobile device or follow the link for helpful videos and specifications related to this product.

<https://vivo-us.com/products/stand-v001>

GET IN TOUCH | Monday-Friday from 7:00am-7:00pm CST



help@vivo-us.com



www.vivo-us.com
Chat live with an agent!



309-278-5303

WARNING!

If you do not understand these directions, or if you have any doubts about the safety of the installation, please call a qualified technician. Check carefully to make sure there are no missing or defective parts. Improper installation may cause damage or serious injury. Do not use this product for any purpose that is not explicitly specified in this manual. Do not exceed weight capacity. We cannot be liable for damage or injury caused by improper mounting, incorrect assembly or inappropriate use.

TIPOVER WARNING

SERIOUS OR FATAL CRUSHING INJURIES CAN OCCUR FROM TIPOVER. TO HELP PREVENT TIPOVER:

- NEVER ALLOW CHILDREN TO CLIMB, STAND, HANG, OR PLAY ON ANY PART OF MONITOR OR STAND.
- USE TIPOVER RESTRAINT OR ANCHOR STAND TO WALL

USE OF TIPOVER RESTRAINTS MAY ONLY REDUCE, BUT NOT ELIMINATE RISK OF TIPOVER.

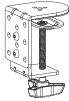
WARNING: CHOKING HAZARD

SMALL PARTS - NOT FOR CHILDREN UNDER 3 YEARS. ADULT SUPERVISION IS REQUIRED.

PACKAGE CONTENTS



A (x1)
Pole



B (x1)
Clamp



C (x1)
Swivel Arm



D (x1)
VESA Plate



E (x1)
Grommet
Plate



F (x1)
Soft Pad



G (x1)
Pole Cap



H (x2)
Arm Cable
Clip



I (x1)
Pole Cable
Clip



S-A (x3)
M6x16mm
Screw



S-B (x1)
M6 Security
Nut



M-A (x4)
M4x12mm
Thumbscrew



M-B (x4)
M4x30mm
Screw



M-C (x4)
M6 Spacer



T-A (x1)
3mm Allen
Wrench



T-B (x1)
5mm Allen
Wrench

NOTE: SOME HARDWARE INCLUDED MAY NOT BE USED

TOOLS NEEDED



**Phillips
Screwdriver**

DO NOT EXCEED WEIGHT CAPACITY.

Failure to do so may result in serious injury.

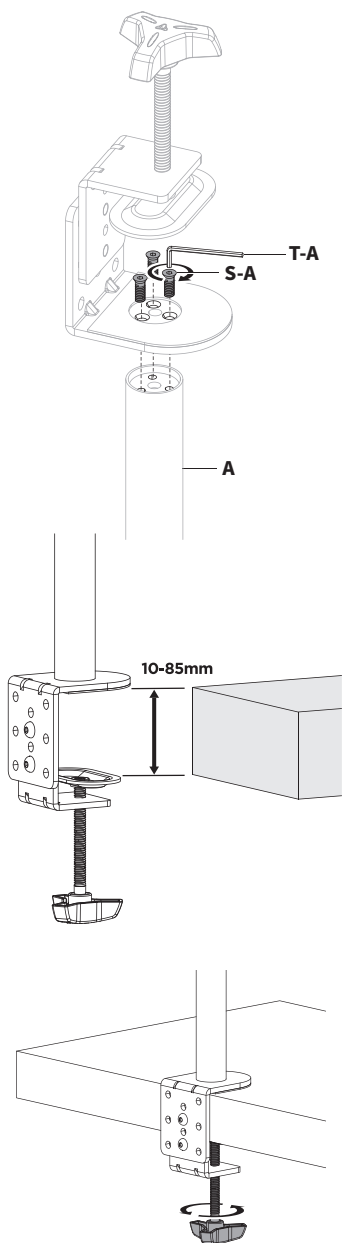


ASSEMBLY STEPS

STEP 1

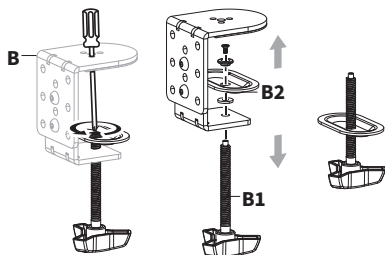
Option A: Desk Clamp Install

Loosen Clamp Bolt (**B1**) on Clamp (**B**). Install Clamp (**B**) to Pole (**A**) using M6x16mm Screws (**S-A**) and 3mm Allen Wrench (**T-A**). Secure the clamp assembly to the desktop.

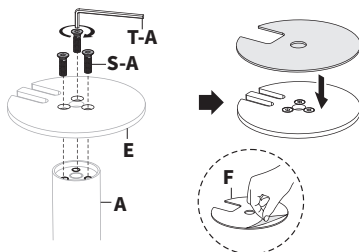


Option B: Grommet Install

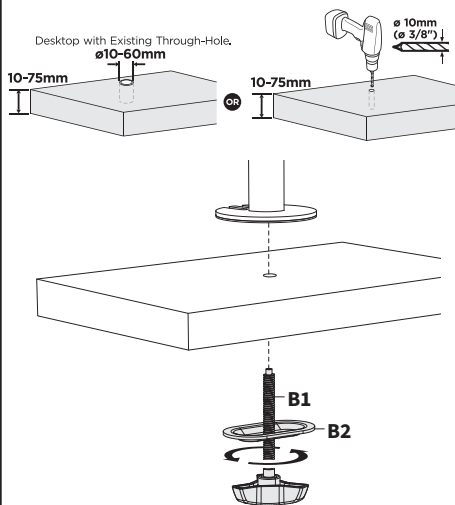
Using a Phillips screwdriver, remove the screw from Clamp (**B**) and separate Clamp Bolt (**B1**) and Clamp Plate (**B2**) from the clamp assembly. Thread Clamp Plate (**B2**) onto Clamp Bolt (**B1**).



Install Grommet Base (**E**) to Pole (**A**) using M6x16mm Screws (**S-A**) and 3mm Allen Wrench (**T-A**). Remove adhesive backing from Soft Pad (**F**) and stick it to the bottom of Grommet Plate (**E**).

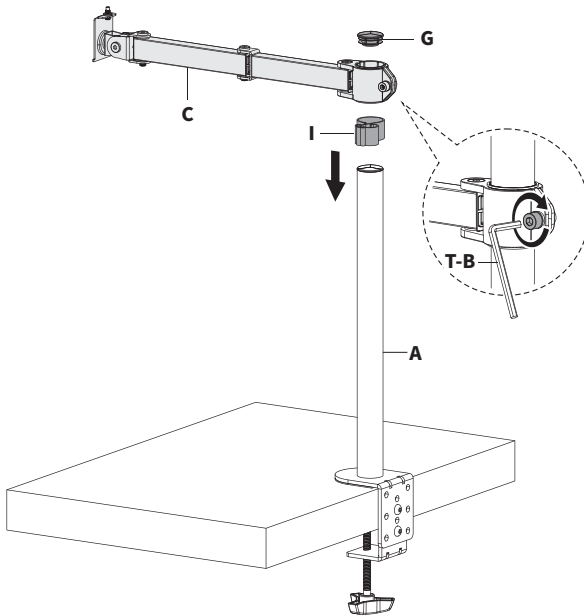


If not using an existing through-hole for mounting, use a 3/8" (10mm) drill bit to create a mounting hole in the desired location. Thread Clamp Bolt (**B1**) with Clamp Plate (**B2**) through the mounting hole and into Pole (**A**).



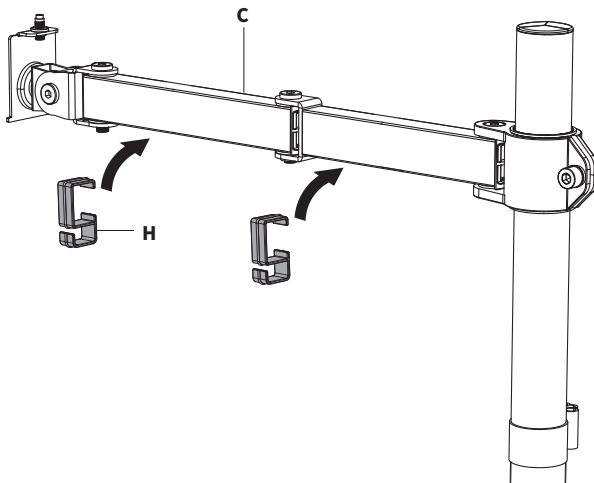
STEP 2

Slide Pole Cable Clip (**I**) and Arm (**C**) over Pole (**A**). Secure Arm (**C**) at the desired height using 5mm Allen Wrench (**T-B**). Insert Pole Cap (**G**) into the top of Pole (**A**).



STEP 3

Attach Arm Cable Clips (**H**) to Arm (**C**).

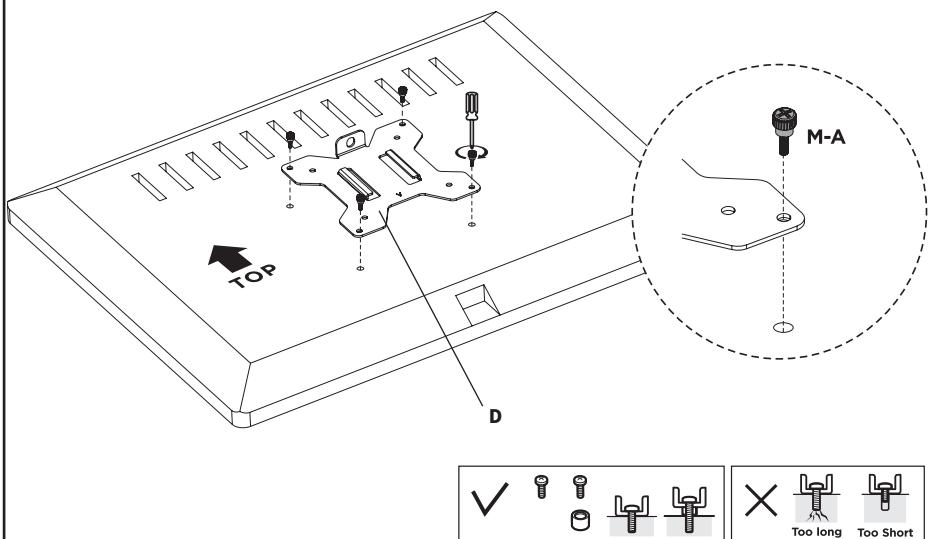


STEP 4

OPTION A: Flat Back Monitor

Attach the VESA plate (**D**) to the monitor with Thumbscrews (**M-A**).

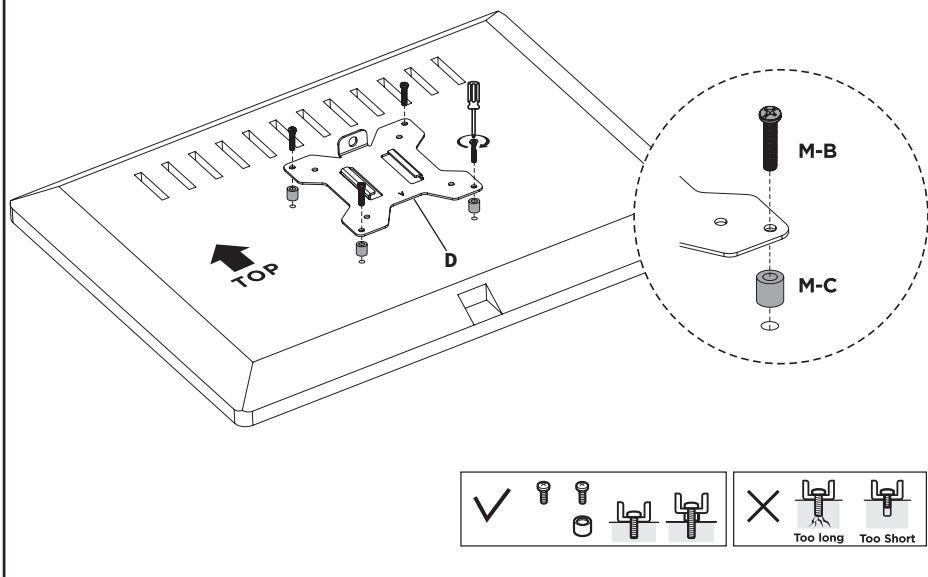
NOTE: Hand tighten screws to avoid over tightening.



OPTION B: Curved Back Monitor

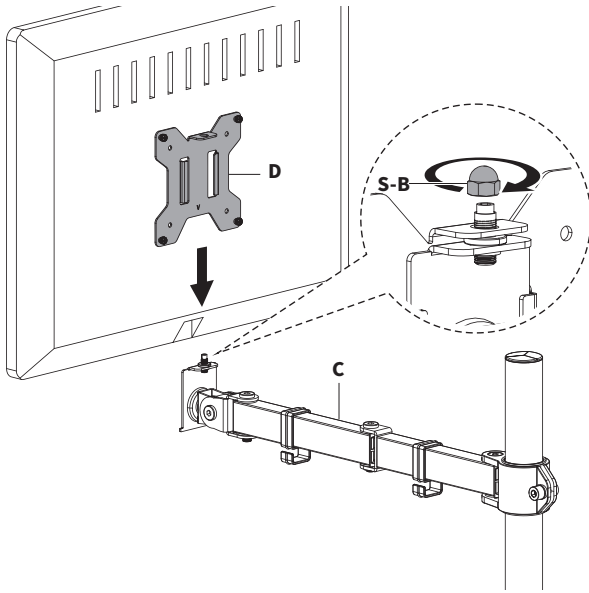
Attach the VESA Plate (**D**) to the monitor with M4x30 Screws (**M-B**) and M6 Spacers (**M-C**).

NOTE: Gently tighten using a screwdriver



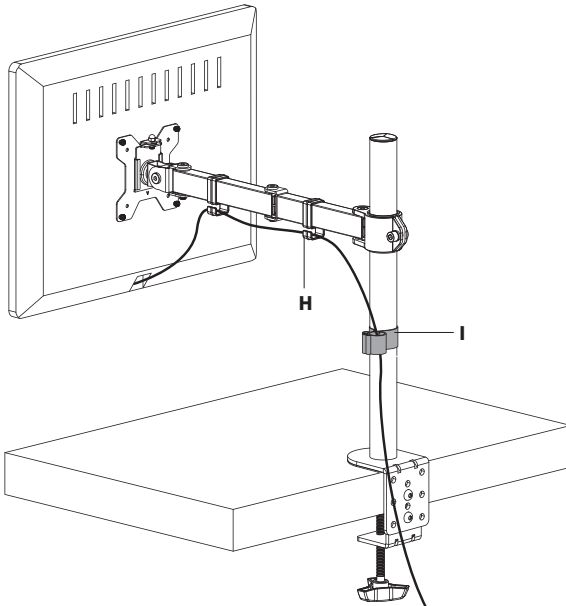
STEP 5

Slide VESA Plate (**D**) with the monitor onto Arm (**C**). Secure the assembly in place using M6 Nut (**S-B**).



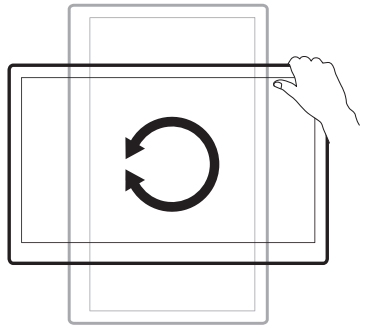
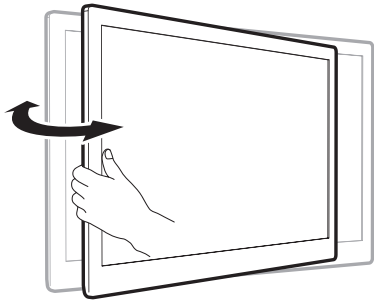
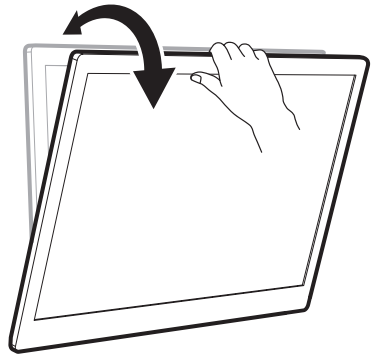
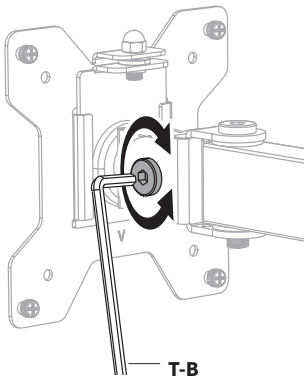
STEP 6

Manage cables using Arm Cable Clips (**H**) and Pole Cable Clip (**I**).



STEP 7

Adjust the tilt using 5mm Allen Wrench (**T-B**).



 Love your new VIVO setup and want to share?
Tag us in your photo! [@vivo_us](#)

LAST UPDATED: 05/11/2023
REV2.1



Open **Monday - Friday 7:00am - 7:00pm** CST,
our dedicated support team can offer immediate assistance with rapid response times. If any parts are received damaged or defective, please contact us. We are happy to replace parts to ensure you have a fully functioning product.



www.vivo-us.com
Chat live with an agent!

AVG. RESOLUTION TIME (*within office hrs*): **< 15 M**



309-278-5303

AVG. RESOLUTION TIME (*within office hrs*): **5M 4S**



help@vivo-us.com

AVG. RESPONSE TIME (*within office hrs*): **1HR 8M**

- 23% within < 15m
- 38% within < 30m
- 61% within < 1hr
- 83% within < 2hr
- 92% within < 3hr

FOR MORE VIVO PRODUCTS, CHECK OUT OUR WEBSITE AT: www.vivo-us.com