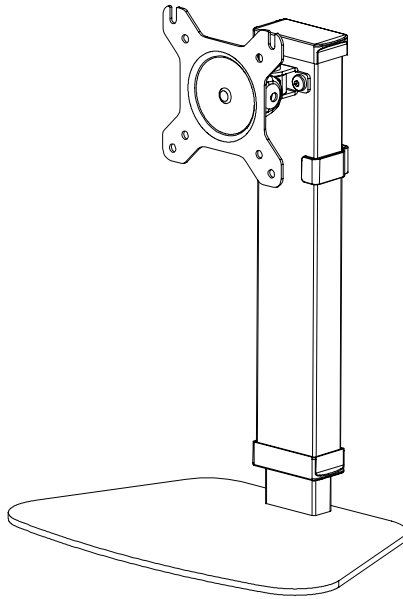




Single Monitor Desk Stand Instruction Manual



SKU: STAND-V001V



Scan the QR code with your mobile device or follow the link for helpful videos and specifications related to this product.

<https://vivo-us.com/products/stand-v001v>

GET IN TOUCH | Monday-Friday from 7:00am-7:00pm CST



help@vivo-us.com



www.vivo-us.com
Chat live with an agent!



309-278-5303

⚠️ WARNING!

If you do not understand these directions, or if you have any doubts about the safety of the installation, please call a qualified technician. Check carefully to make sure there are no missing or defective parts. Improper installation may cause damage or serious injury. Do not use this product for any purpose that is not explicitly specified in this manual. Do not exceed weight capacity. We cannot be liable for damage or injury caused by improper mounting, incorrect assembly or inappropriate use.

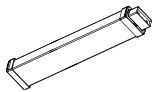
⚠️ TIPOVER WARNING

- SERIOUS OR FATAL CRUSHING INJURIES CAN OCCUR FROM TIPOVER. TO HELP PREVENT TIPOVER:
- NEVER ALLOW CHILDREN TO CLIMB, STAND, HANG, OR PLAY ON ANY PART OF MONITOR OR STAND.
 - USE TIPOVER RESTRAINT OR ANCHOR STAND TO WALL
- USE OF TIPOVER RESTRAINTS MAY ONLY REDUCE, BUT NOT ELIMINATE RISK OF TIPOVER.**

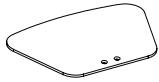
⚠️ WARNING: CHOKING HAZARD

SMALL PARTS - NOT FOR CHILDREN UNDER 3 YEARS. ADULT SUPERVISION IS REQUIRED.

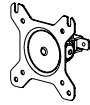
PACKAGE CONTENTS



A (x1)
Column



B (x1)
Base



C (x1)
VESA Bracket



D (x1)
Cable Clip



S-A (x2)
M6x16mm Screw



S-B (x2)
M6x12mm Screw



M-A (x4)
M4x12mm SCrew



M-B (x4)
M4x30mm Screw



M-C (x4)
Spacer



T-A (x1)
4mm Allen Wrench



T-B (x1)
5mm Allen Wrench

NOTE: SOME HARDWARE INCLUDED MAY NOT BE USED

DO NOT EXCEED WEIGHT CAPACITY.

Failure to do so may result in serious injury.



Phillips
Screwdriver

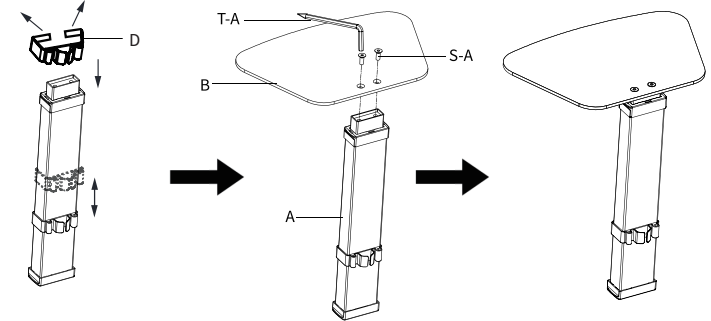
USER GUIDE - ADJUSTING HEIGHT

Stand features 9 locking height settings ranging from 12.5" to 19.5". To adjust height, raise pole until your hear a click at the desired height. To lower, raise pole past the last locking setting. The lock will release and you can lower the pole back down to it's lowested position.

ASSEMBLY STEPS

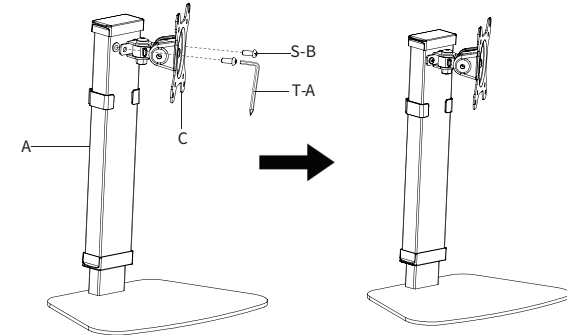
STEP 1

Slide Cable Clip (**D**) onto Column (**A**). Assemble Column (**A**) to Base (**B**) using M6x16mm Screws (**S-A**) and 4mm Allen Wrench (**T-A**).



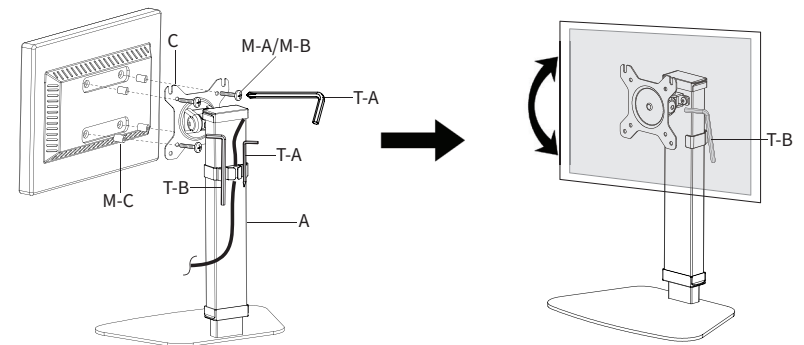
STEP 2

Secure VESA Bracket (**C**) to Column (**A**) using M6x12mm Screws (**S-B**) and 4mm Allen Wrench (**T-A**).



STEP 3

Assemble the monitor to VESA Bracket (**C**) with Screws (**M-A or M-B**) and Spacers (**M-C**) if necessary. Tighten using a Phillips screwdriver. Adjust the tilt of VESA Bracket (**C**) using 5mm Allen Wrench (**T-B**). Stand features 9 locking height settings. Manage cables and store Allen Wrenches (**T-A, T-B**) using the cable clip on Column (**A**).





Love your new VIVO setup and want to share?
Tag us in your photo! **@vivo_us**

LAST UPDATED: 03/10/2023
REV1.2



Open **Monday - Friday 7:00am - 7:00pm** CST,
our dedicated support team can offer immediate assistance with rapid response times. If any parts are received damaged or defective, please contact us. We are happy to replace parts to ensure you have a fully functioning product.



309-278-5303

AVG. RESOLUTION TIME (*within office hrs*): **5M 4S**



www.vivo-us.com
Chat live with an agent!

AVG. RESOLUTION TIME (*within office hrs*): **< 15 M**



help@vivo-us.com

AVG. RESPONSE TIME (*within office hrs*): **1HR 8M**

- 23% within < 15m
- 38% within < 30m
- 61% within < 1hr
- 83% within < 2hr
- 92% within < 3hr

FOR MORE VIVO PRODUCTS, CHECK OUT OUR WEBSITE AT: www.vivo-us.com