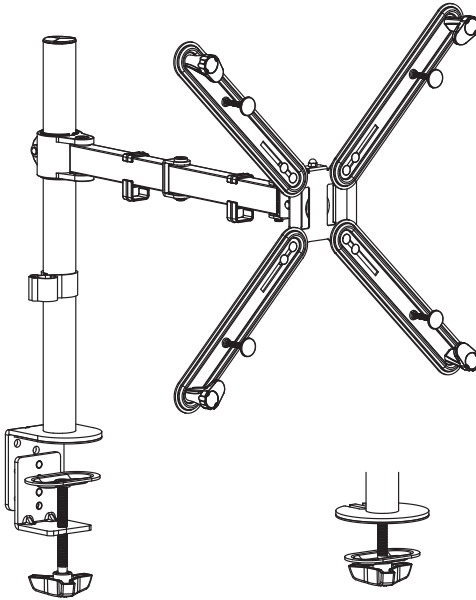




---

## Single Monitor Desk Mount with VESA Adapter Bracket

Instruction Manual



**SKU: STAND-V001VA**



Scan the QR code with your mobile device or follow the link for helpful videos and specifications related to this product.

<https://vivo-us.com/products/stand-v001va>

---

GET IN TOUCH | Monday-Friday from 7:00am-7:00pm CST



help@vivo-us.com



www.vivo-us.com  
*Chat live with an agent!*



309-278-5303

 **WARNING!**

If you do not understand these directions, or if you have any doubts about the safety of the installation, please call a qualified technician. Check carefully to make sure there are no missing or defective parts. Improper installation may cause damage or serious injury. Do not use this product for any purpose that is not explicitly specified in this manual. Do not exceed weight capacity. We cannot be liable for damage or injury caused by improper mounting, incorrect assembly or inappropriate use.

 **TIPOVER WARNING**

SERIOUS OR FATAL CRUSHING INJURIES CAN OCCUR FROM TIPOVER. TO HELP PREVENT TIPOVER:

- NEVER ALLOW CHILDREN TO CLIMB, STAND, HANG, OR PLAY ON ANY PART OF MONITOR OR STAND.
- USE TIPOVER RESTRAINT OR ANCHOR STAND TO WALL

**USE OF TIPOVER RESTRAINTS MAY ONLY REDUCE, BUT NOT ELIMINATE RISK OF TIPOVER.**

 **WARNING: CHOKING HAZARD**

SMALL PARTS - NOT FOR CHILDREN UNDER 3 YEARS. ADULT SUPERVISION IS REQUIRED.

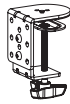


**DO NOT EXCEED WEIGHT CAPACITY.**  
Failure to do so may result in serious injury.

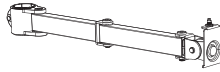
# PACKAGE CONTENTS



**A (x1)**  
Pole



**B (x1)**  
Clamp



**C (x1)**  
Swivel Arm



**D (x1)**  
VESA Plate



**E (x1)**  
Grommet Base Plate



**F (x1)**  
Soft Pad



**G (x1)**  
Pole Cap



**H (x4)**  
Extension  
Bracket



**I (x4)**  
“L” Support Holder



**J (x4)**  
Plastic Cover



**K (x4)**  
Compression  
Pad



**L (x1)**  
Pole Cable Clip



**M (x2)**  
Arm Cable Clip



**S-A (x3)**  
M6x16mm Screw



**S-B (x1)**  
M6 Security  
Nut



**S-C (x8)**  
M4 Nut



**S-D (x8)**  
M4x12mm  
Carriage Bolt



**S-E (x4)**  
M6x40mm  
Screw



**S-F (x4)**  
M6x60mm  
Screw



**S-G (x4)**  
M6x80mm  
Screw



**S-H (x4)**  
M5x45mm  
Thumbscrew



**T-A (x1)**  
Wrench



**T-B (x1)**  
3mm Allen  
Wrench



**T-C (x1)**  
5mm Allen  
Wrench

**NOTE:** SOME HARDWARE INCLUDED MAY NOT BE USED

## ALTERNATIVE MOUNTING HARDWARE

If Extension Brackets  
are not used.



**M-A (x4)**  
M4x12mm Thumbscrew



**M-B (x4)**  
M4x30mm Screw



**M-C (x4)**  
M6 Spacer

## TOOLS NEEDED

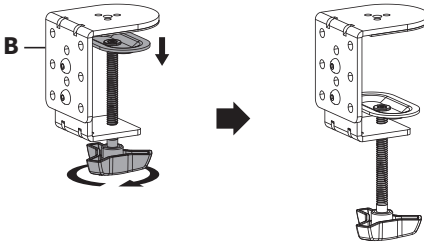


**Phillips  
Screwdriver**

# ASSEMBLY STEPS

## STEP 1

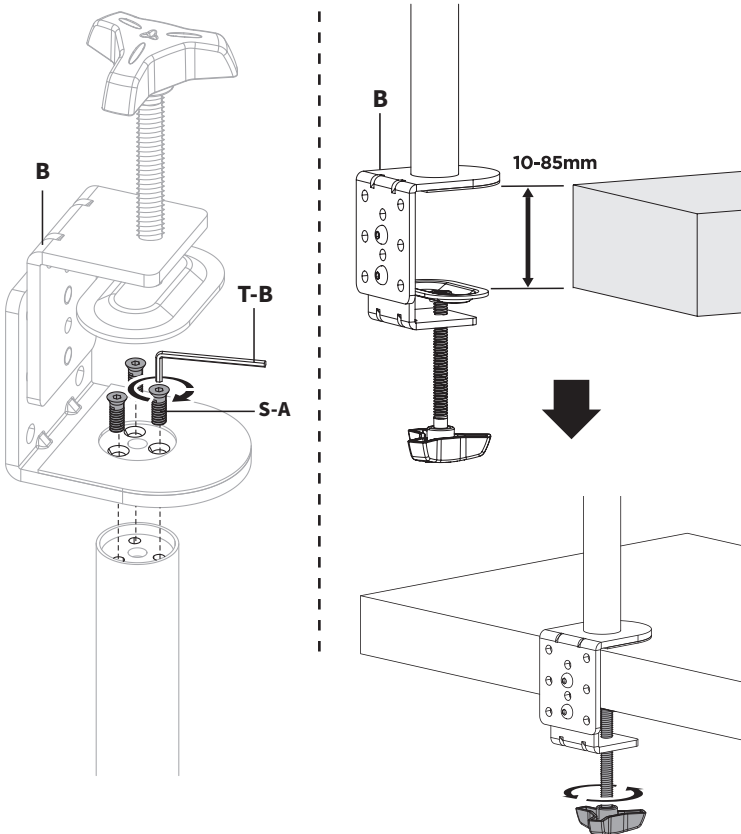
Unscrew the hand crank of Clamp (B) to create an opening for the clamp to be placed on desktop.



## STEP 2

### OPTION A: Desk Clamp Install

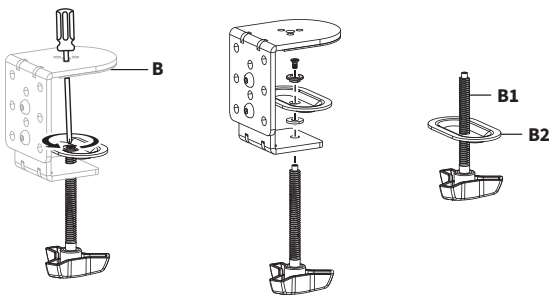
Install the Clamp (B) to the Pole (A) using M6x16 Screws (S-A) and tighten using 3mm Allen Wrench (T-B). Mount Clamp (B) to the desktop and tighten using the hand crank.



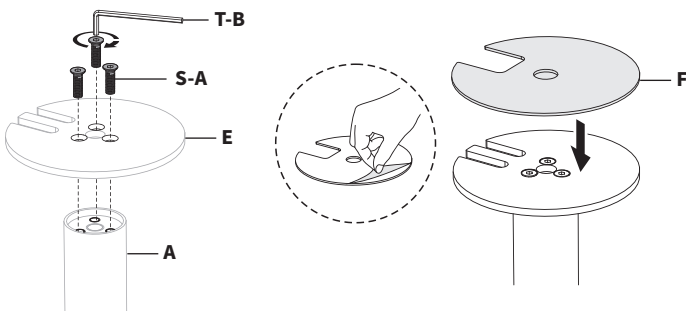
## STEP 2 - Continued

### OPTION B: Grommet Installation

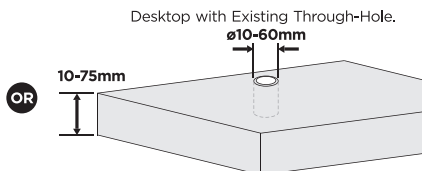
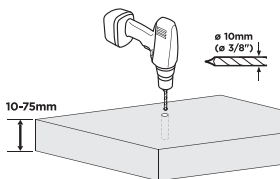
Use a Phillips screwdriver to loosen screw inside Clamp (B). Disassemble and separate the Hand Crank (B1) and Clamp Plate (B2).



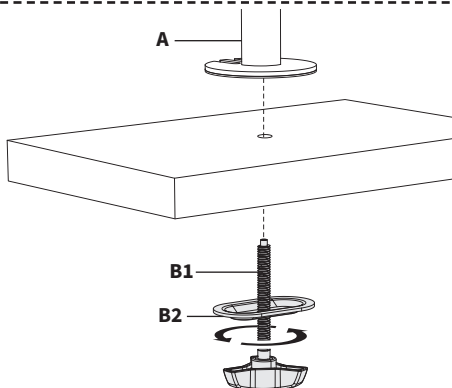
Install Grommet Plate (E) to the Pole (A) using M6x16 Screws (S-A) and 3mm Allen Wrench (T-B). Attach Soft Pad (F) to the Grommet Plate (E).



If desk does not have an existing grommet hole, drill a 3/8" (10mm) diameter hole at the desired position through the mounting surface. Otherwise, you may use any existing 10-60mm grommet hole.

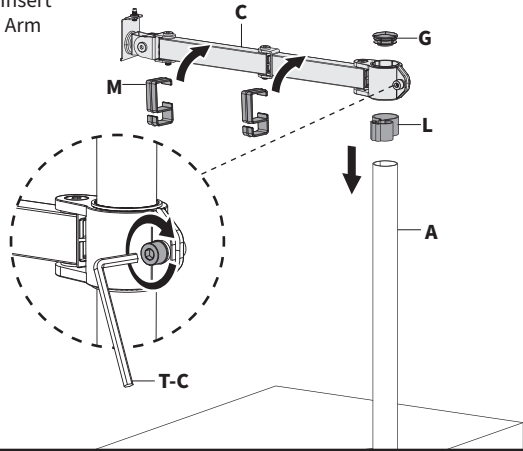


Position Pole (A) on the mounting surface and secure using the Clamp Plate (B2) and Hand Crank (B1).



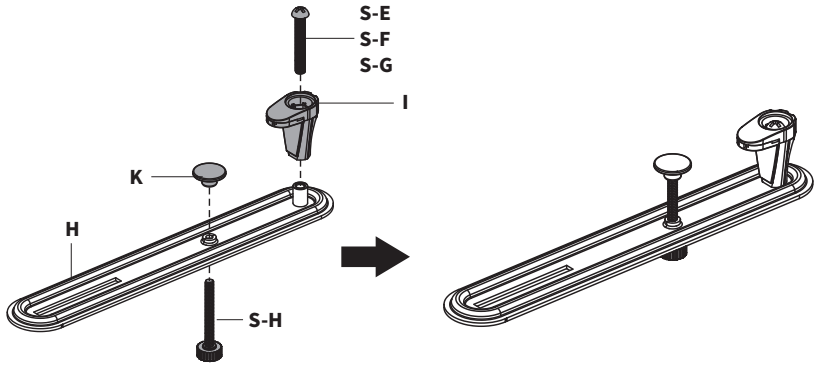
### STEP 3

Slide Pole Cable Clip (**L**) and Swivel Arm (**C**) onto Pole (**A**). Tighten Swivel Arm (**C**) at desired height using 5mm Allen Wrench (**T-C**). Insert Pole Cap (**G**) into top of Pole (**A**). Place Arm Cable Clips (**I**) onto Swivel Arm (**C**).

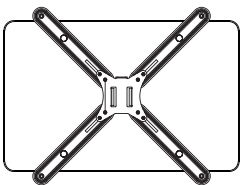


### STEP 4

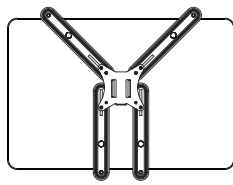
Attach "L" Support Holder (**I**) onto Extension Brackets (**H**) using M6 Screws (**S-E**, **S-F**, **S-G**) and a Phillips screwdriver. Screw length will depend on thickness of your monitor. Thread M5x45mm Thumbscrews (**S-H**) through Extension Brackets (**H**) and apply Compression Pads (**K**) to the ends of the thumbscrews. Repeat for remaining Support Arms.



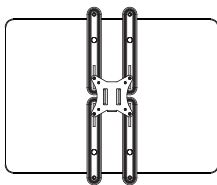
Assembled extension bracket can be installed onto your monitor mount's VESA plate in 3 different setups. The optimal option varies depending on the shape and size of the monitor. Find the setup that works best for your setup and follow steps on next page.



Option #1



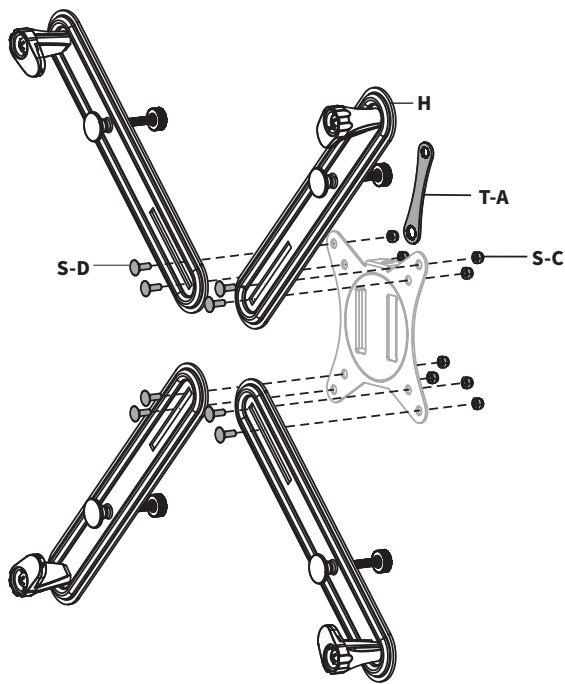
Option #2



Option #3

## OPTION #1

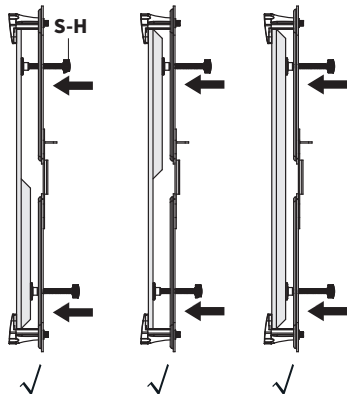
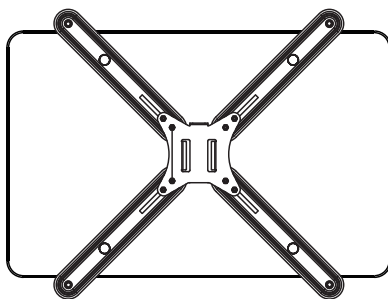
Install Extension Brackets (**H**) onto your VESA mount using M4x12mm Carriage Bolts (**S-D**), M4 Nuts (**S-C**), and Wrench (**T-A**).



Place extension bracket assembly over monitor. Lightly tighten Thumbscrews (**S-H**) to secure monitor. For best results, tighten until monitor feels secure, **being careful not to over tighten**. For monitors that are thinner at the top than bottom, Thumbscrews at bottom should be tightened first, with top Thumbscrews barely touching the monitor.



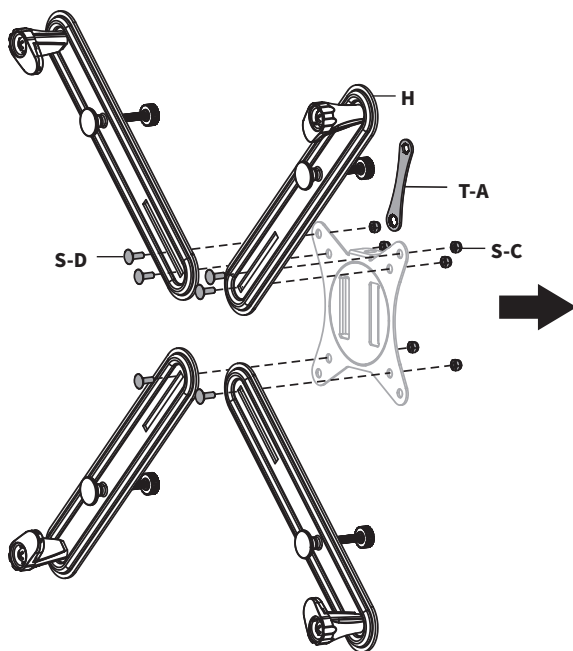
**WARNING: Excessive tightening of upper compression screws on ultraslim monitors can DAMAGE YOUR SCREEN.**



**PROCEED TO STEP 5 ON PAGE 10**

## OPTION #2

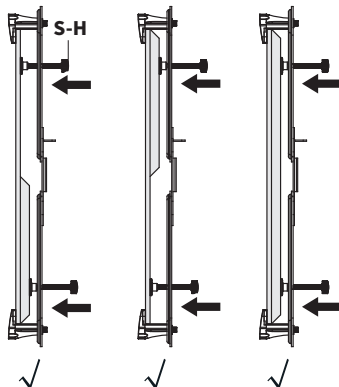
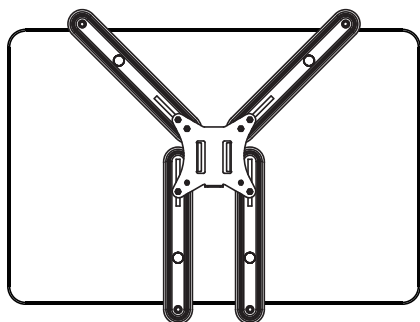
Install Extension Brackets (**H**) onto your VESA mount using M4x12mm Carriage Bolts (**S-D**), M4 Nuts (**S-C**), and Wrench (**T-A**).



Place extension bracket assembly over monitor. Lightly tighten Thumbscrews (**S-H**) to secure monitor. For best results, tighten until monitor feels secure, **being careful not to over tighten**. For monitors that are thinner at the top than bottom, Thumbscrews at bottom should be tightened first, with top Thumbscrews barely touching the monitor.



**WARNING: Excessive tightening of upper compression screws on ultraslim monitors can DAMAGE YOUR SCREEN.**

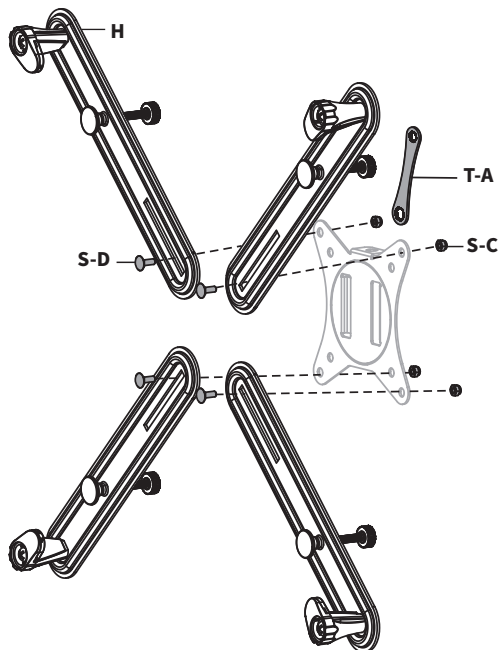


**PROCEED TO STEP 5 ON PAGE 10**



## OPTION #3

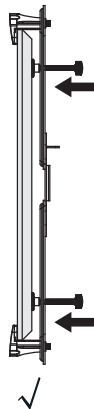
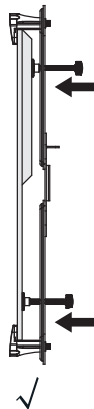
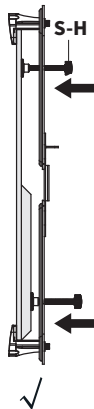
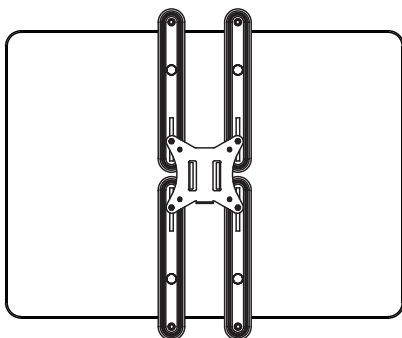
Install Extension Brackets (**H**) onto your VESA mount using M4x12mm Carriage Bolts (**S-D**), M4 Nuts (**S-C**), and Wrench (**T-A**).



Place extension bracket assembly over monitor. Lightly tighten Thumbscrews (**S-H**) to secure monitor. For best results, tighten until monitor feels secure, **being careful not to over tighten**. For monitors that are thinner at the top than bottom, Thumbscrews at bottom should be tightened first, with top Thumbscrews barely touching the monitor.



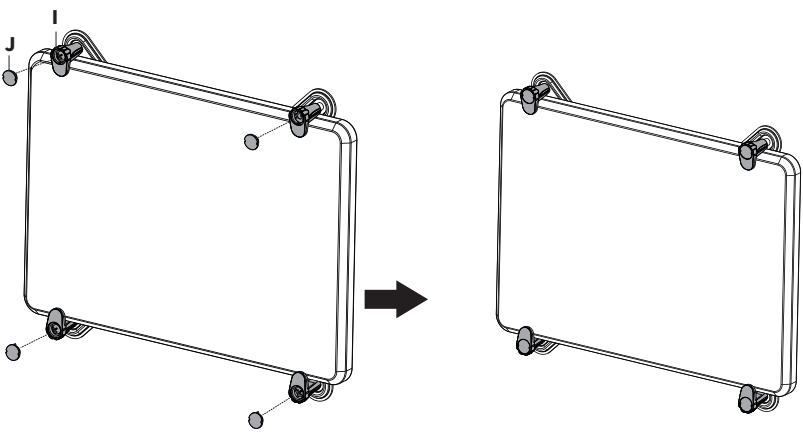
**WARNING: Excessive tightening of upper compression screws on ultrathin monitors can DAMAGE YOUR SCREEN.**



**PROCEED TO STEP 5 ON PAGE 10**

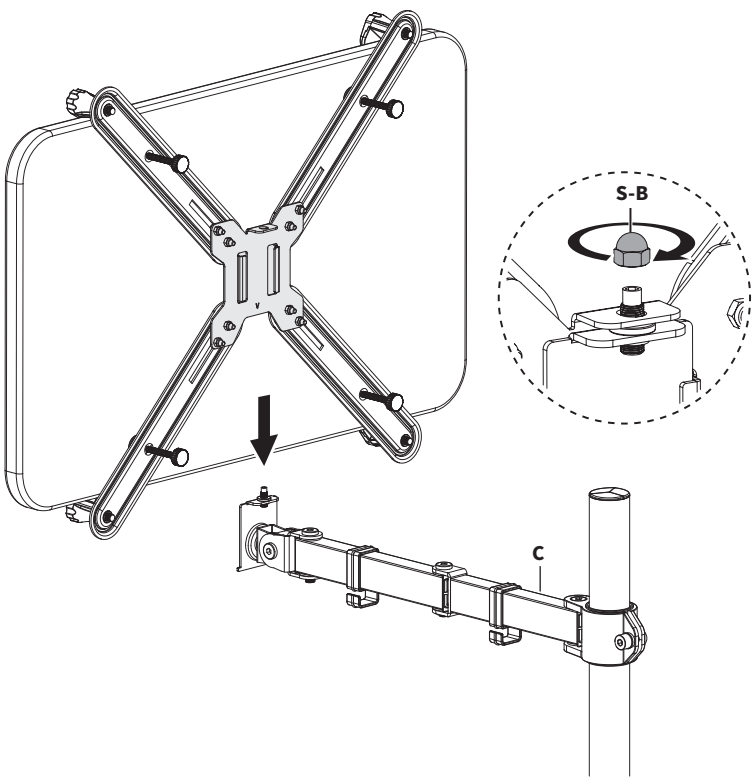
**STEP 5**

Press Plastic Covers (**J**) over screw holes on "L" Support Holder (**I**).



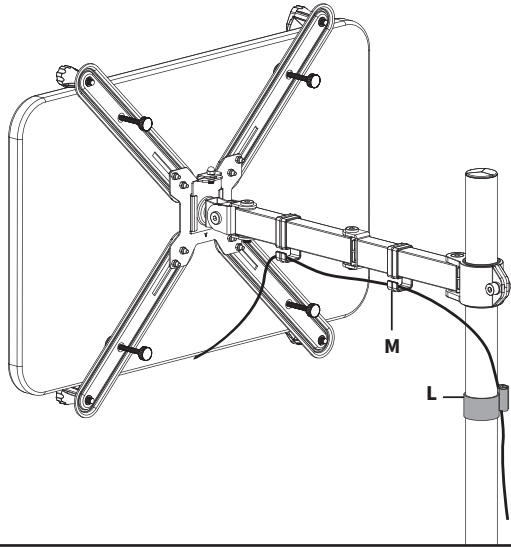
**STEP 6**

Slide monitor assembly onto Swivel Arm (**C**) and secure with M6 Security Screw (**S-B**).



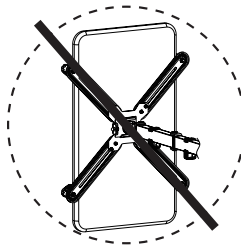
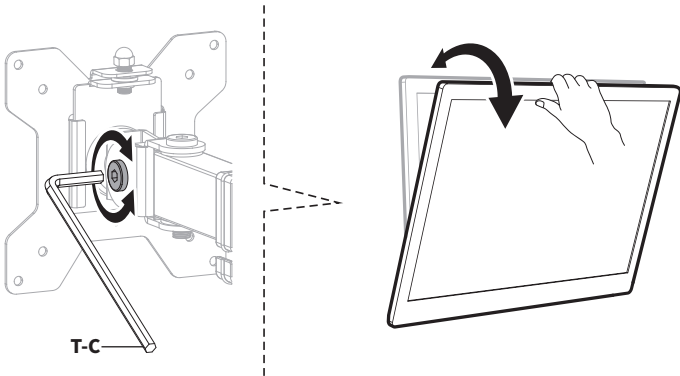
## CABLE MANAGEMENT

Route cables through Arm Cable Clip (**M**) and Pole Cable Clip (**L**).



## ADJUST AS DESIRED

Use 5mm Allen Wrench (**T-C**) to adjust tilt and swivel on VESA plate head.



### CAUTION:

To avoid risk of monitor sliding off, **DO NOT** rotate monitors beyond +5° or -5°.

 Love your new VIVO setup and want to share?  
Tag us in your photo! [@vivo\\_us](#)

LAST UPDATED: 11/06/2023  
REV2



Open **Monday - Friday 7:00am - 7:00pm** CST,  
our dedicated support team can offer immediate assistance with rapid response times. If any parts are received damaged or defective, please contact us. We are happy to replace parts to ensure you have a fully functioning product.



[www.vivo-us.com](http://www.vivo-us.com)  
*Chat live with an agent!*

**AVG. RESOLUTION TIME** (*within office hrs*): **< 15 M**



309-278-5303

**AVG. RESOLUTION TIME** (*within office hrs*): **5M 4S**



[help@vivo-us.com](mailto:help@vivo-us.com)

**AVG. RESPONSE TIME** (*within office hrs*): **1HR 8M**

- 23% within < 15m
- 38% within < 30m
- 61% within < 1hr
- 83% within < 2hr
- 92% within < 3hr

FOR MORE VIVO PRODUCTS, CHECK OUT OUR WEBSITE AT: [www.vivo-us.com](http://www.vivo-us.com)