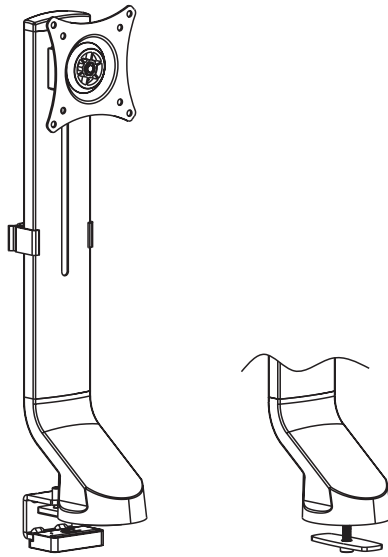




Single Monitor Desk Mount

Instruction Manual



SKU: STAND-V001U



Scan the QR code with your mobile device or follow the link for helpful videos and specifications related to this product.

<https://vivo-us.com/products/stand-v001u>

GET IN TOUCH | Monday-Friday from 7:00am-7:00pm CST



help@vivo-us.com



www.vivo-us.com
Chat live with an agent!



309-278-5303

WARNING!

If you do not understand these directions, or if you have any doubts about the safety of the installation, please call a qualified technician. Check carefully to make sure there are no missing or defective parts. Improper installation may cause damage or serious injury. Do not use this product for any purpose that is not explicitly specified in this manual. Do not exceed weight capacity. We cannot be liable for damage or injury caused by improper mounting, incorrect assembly or inappropriate use.

TIPOVER WARNING

SERIOUS OR FATAL CRUSHING INJURIES CAN OCCUR FROM TIPOVER. TO HELP PREVENT TIPOVER:

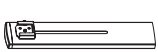
- NEVER ALLOW CHILDREN TO CLIMB, STAND, HANG, OR PLAY ON ANY PART OF MONITOR OR STAND.
- USE TIPOVER RESTRAINT OR ANCHOR STAND TO WALL

USE OF TIPOVER RESTRAINTS MAY ONLY REDUCE, BUT NOT ELIMINATE RISK OF TIPOVER.

WARNING: CHOKING HAZARD

SMALL PARTS - NOT FOR CHILDREN UNDER 3 YEARS. ADULT SUPERVISION IS REQUIRED.

PACKAGE CONTENTS



A (x1)
Column



B (x1)
Base



C (x1)
Clamp



D (x1)
Clamp Plate



E (x1)
Grommet Plate



F (x1)
VESA Plate



G (x1)
Cable Clip



H (x1)
Pad



I (x2)
Bolt



J (x3)
Bolt



K (x1)
Support Plate



L (x1)
Bolt



M (x1)
4mm Allen
Wrench



N (x1)
6mm Allen
Wrench



M-A (x4)
M4x12



M-B (x4)
M5x12



M-C (x4)
D5 Washer

NOTE: SOME HARDWARE INCLUDED MAY NOT BE USED

TOOLS NEEDED



DO NOT EXCEED WEIGHT CAPACITY.

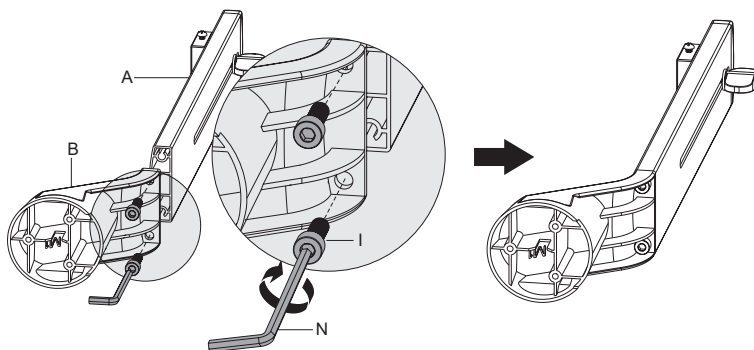
Failure to do so may result in serious injury.

17.6lbs
(7.98kg)

ASSEMBLY STEPS

STEP 1

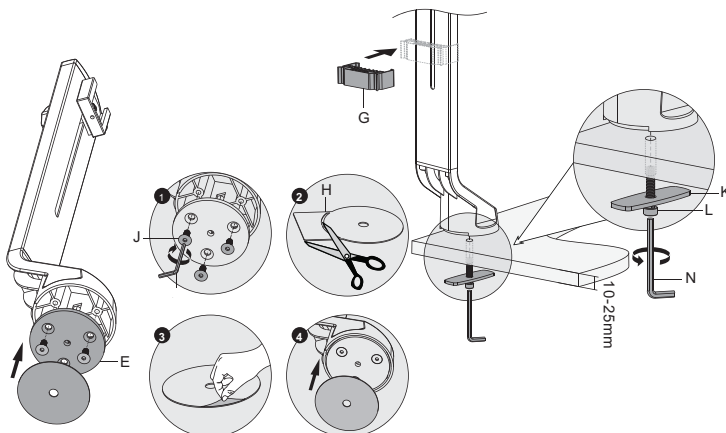
Mount column (A) to base (B) using short bolts (I). Tighten with 6mm Allen wrench (N).



STEP 2

OPTION A: Grommet Installation

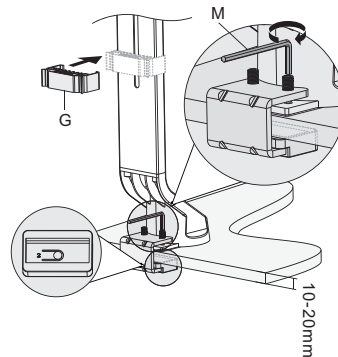
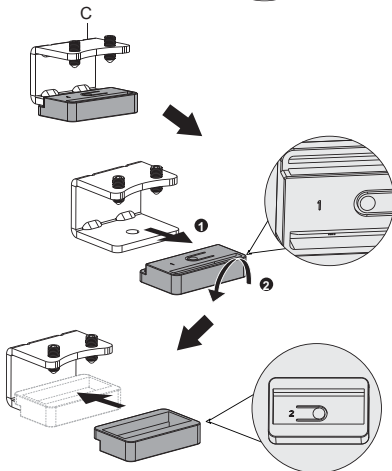
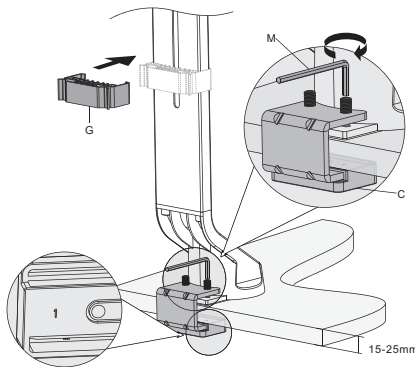
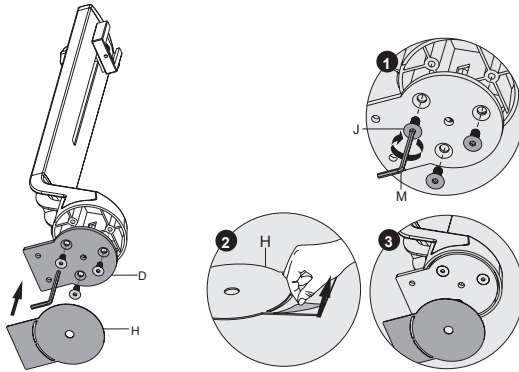
Mount grommet plate (E) to base using flat head bolts (J) and tighten with 4mm Allen wrench (M). Cut rear portion off from pad (H), peel backing, and stick to installed grommet plate. Place the base over grommet hole in desk, and secure using grommet bolt (L) and support plate (K). Tighten with 6mm Allen wrench (N). Please note, desktop thickness must be 3/8" - 1" (10mm - 25mm).



STEP 2 (Continued)

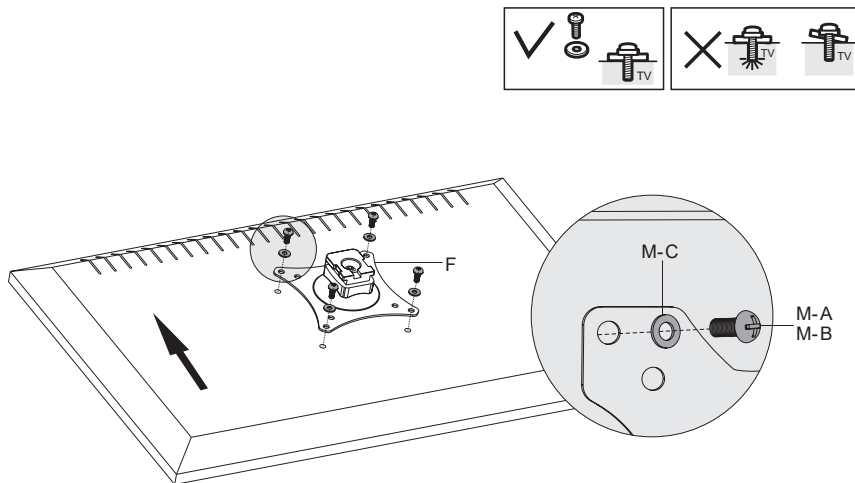
OPTION B: Clamp Installation

Mount clamp plate (D) to base using flat head bolts (J) and tighten with 4mm Allen wrench (M). Peel backing from pad (H) and stick to installed clamp plate. For 5/8" - 1" (15 - 25mm) desktop thickness: Place the base near the back edge of the desk. Position clamp (C) on base and desktop, then tighten clamp screws with 4mm Allen wrench (M). Install cable clip (G) to column. For 3/8" - 3/4" (10 - 20mm) desktop thickness: Remove plastic foot from clamp (C) and reinstall upside down. Place the base near the back edge of the desk. Position clamp on base and desktop, then tighten clamp bolts with 4mm Allen wrench (M). Install cable clip (G) to column.



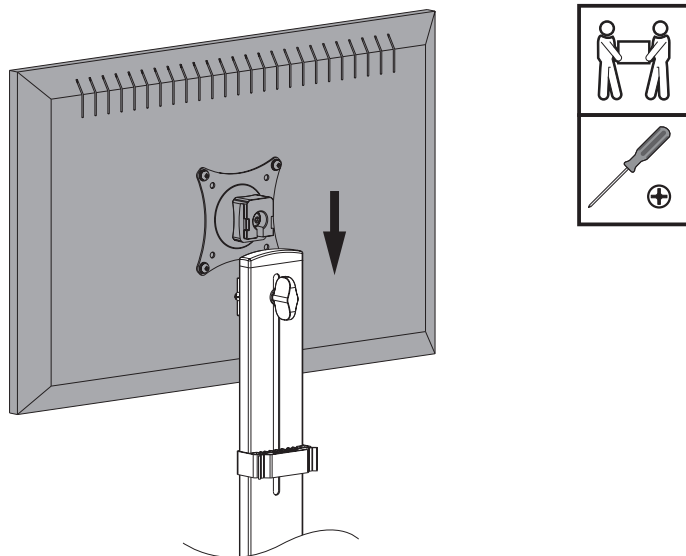
STEP 3

Mount VESA plate (**F**) to back of monitor using screws (**M-A or M-B**) and washers (**M-C**), making sure the slot in back is facing down.



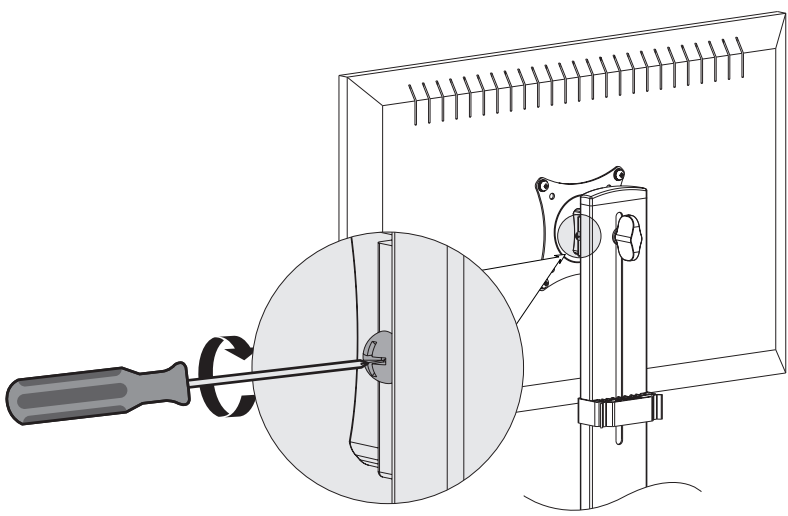
STEP 4

Slide monitor with VESA plate onto mounting bracket on column. Tighten the screw on the side of the bracket to secure the monitor.



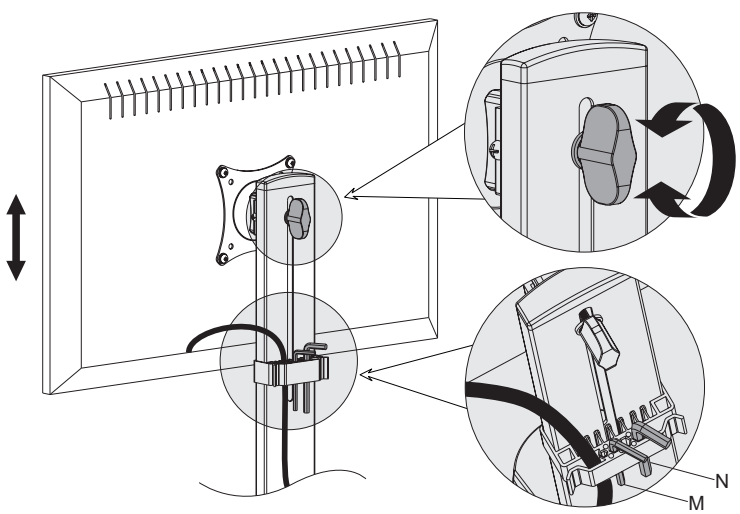
STEP 4 (Continued)

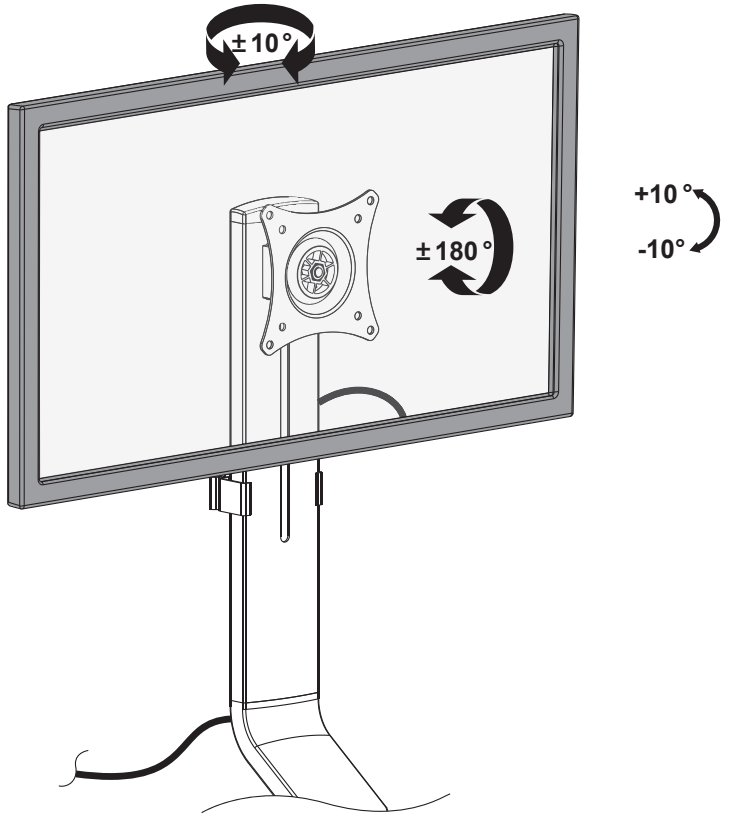
If needed, adjust the bolt on the side of the hinge behind the VESA plate to tighten or loosen the tilt angle.



STEP 5

Loosen the knob to adjust monitor height. Manage cables and store tools using installed cable clip.







Open **Monday - Friday 7:00am - 7:00pm** CST,

our dedicated support team can offer immediate assistance with rapid response times. If any parts are received damaged or defective, please contact us. We are happy to replace parts to ensure you have a fully functioning product.


 help@vivo-us.com

AVG. RESPONSE TIME (*within office hrs*): **1HR 8M**

- 23% within < 15m
- 38% within < 30m
- 61% within < 1hr
- 83% within < 2hr
- 92% within < 3hr

 www.vivo-us.com
Chat live with an agent!

AVG. RESOLUTION TIME (*within office hrs*): **< 15 M**

 309-278-5303

AVG. RESOLUTION TIME (*within office hrs*): **5M 4S**