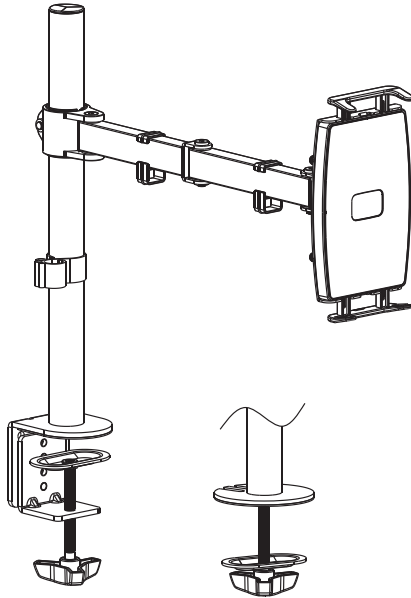




Single Monitor Desk Mount

Instruction Manual



SKU: STAND-V001UVM



Scan the QR code with your mobile device or follow the link for helpful videos and specifications related to this product.

<https://vivo-us.com/products/stand-v001uvm>

GET IN TOUCH | Monday-Friday from 7:00am-7:00pm CST



help@vivo-us.com



www.vivo-us.com
Chat live with an agent!



309-278-5303

⚠️ WARNING!

If you do not understand these directions, or if you have any doubts about the safety of the installation, please call a qualified technician. Check carefully to make sure there are no missing or defective parts. Improper installation may cause damage or serious injury. Do not use this product for any purpose that is not explicitly specified in this manual. Do not exceed weight capacity. We cannot be liable for damage or injury caused by improper mounting, incorrect assembly or inappropriate use.

⚠️ TIPOVER WARNING

SERIOUS OR FATAL CRUSHING INJURIES CAN OCCUR FROM TIPOVER. TO HELP PREVENT TIPOVER:

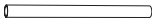
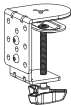














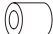


- NEVER ALLOW CHILDREN TO CLIMB, STAND, HANG, OR PLAY ON ANY PART OF MONITOR OR STAND.
- USE TIPOVER RESTRAINT OR ANCHOR STAND TO WALL

USE OF TIPOVER RESTRAINTS MAY ONLY REDUCE, BUT NOT ELIMINATE RISK OF TIPOVER.

⚠️ WARNING: CHOKING HAZARD

SMALL PARTS - NOT FOR CHILDREN UNDER 3 YEARS. ADULT SUPERVISION IS REQUIRED.

PACKAGE CONTENTS

				
A (x1) Pole	B (x1) Clamp	C (x1) Swivel Arm	D (x1) VESA Plate	E (x1) Pole Cap
				
F (x1) Grommet Plate	G (x1) Soft Pad	H (x1) Adapter	I (x2) Cable Clip	J (x1) Pole Cable Clip
				
S-A (x3) M6x16mm Screw	S-B (x1) M6 Security Nut	S-C (x6) M4x16mm Thumbscrew	S-D (x4) M4 Washer	M-A (x4) M4x12mm Thumbscrew
				
M-B (x4) M4x30mm Screw	M-C (x4) M6 Spacer	T-A (x1) 3mm Allen Wrench	T-B (x1) 5mm Allen Wrench	

NOTE: SOME HARDWARE INCLUDED MAY NOT BE USED

TOOLS NEEDED



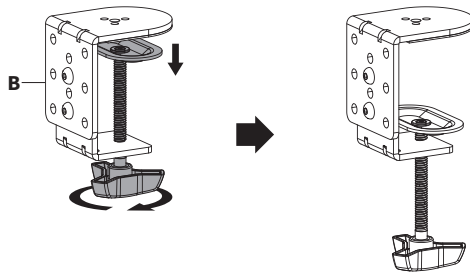
DO NOT EXCEED WEIGHT CAPACITY.
Failure to do so may result in serious injury.



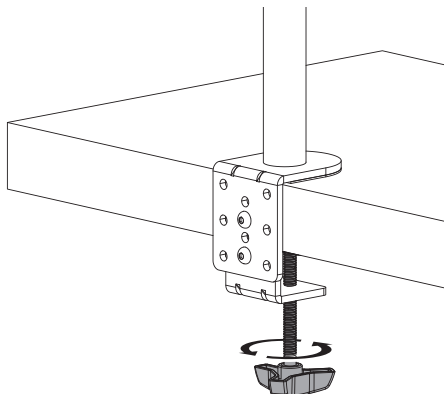
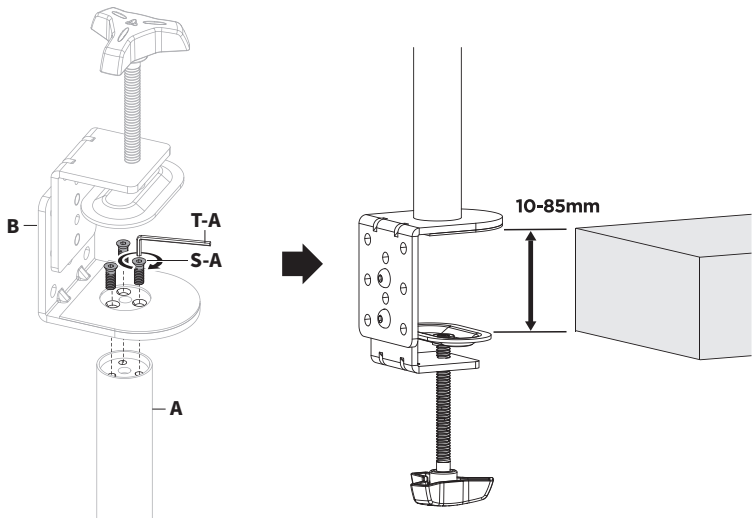
ASSEMBLY STEPS

STEP 1 - *Option A* - Desk Clamp

Loosen the hand screw on Clamp **(B)** to open fully, as shown below.

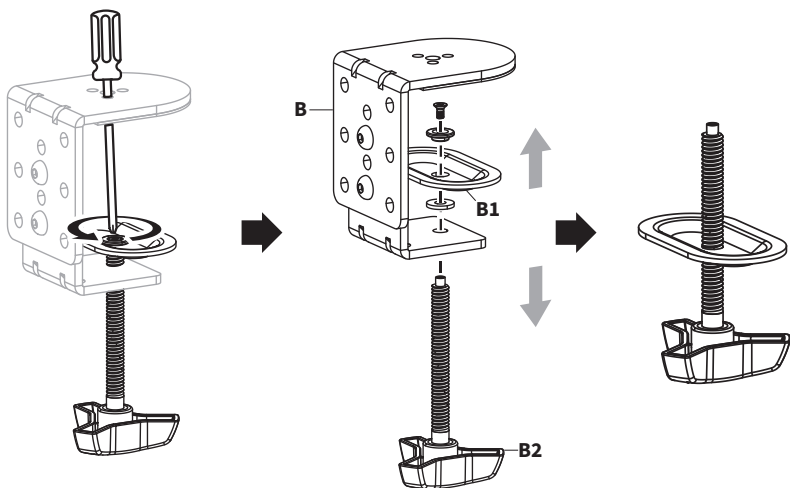


Install the Clamp **(B)** to the Pole **(A)** using M6x16mm Screws **(S-A)** and tighten using 3mm Allen Wrench **(T-A)**. Mount assembly to the desktop and tighten using the hand screw.

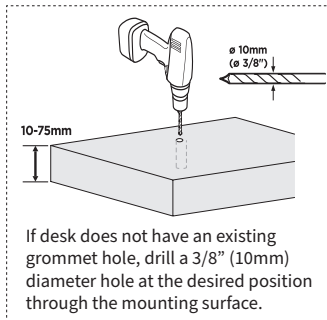
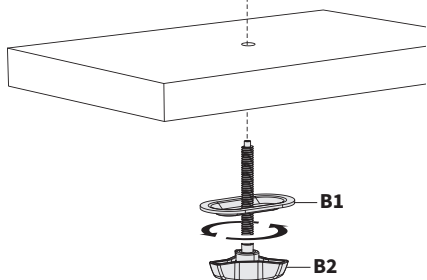
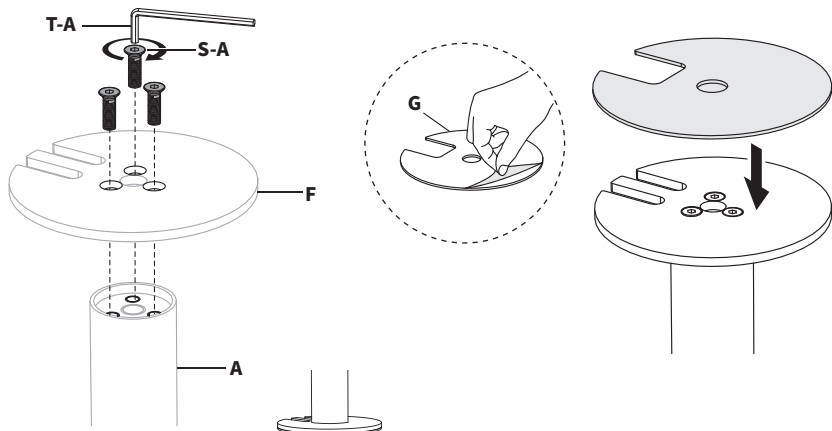


STEP 1 - Option B - Grommet

Disassemble Clamp (B) into individual parts. Remove Clamp Plate (B1) using Phillips screwdriver and remove Knob (B2).

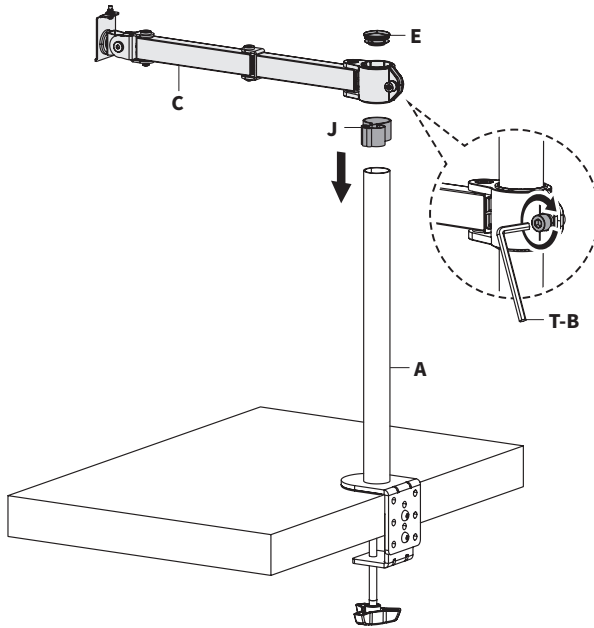


Install Grommet Plate (F) to the Pole (A) using M6x16mm Screws (S-A) and 3mm Allen Wrench (T-A). Attach Soft Pad (G) to the Grommet Plate (F). Position Pole (A) on the mounting surface and secure using Clamp Plate (B1) and Knob (B2).



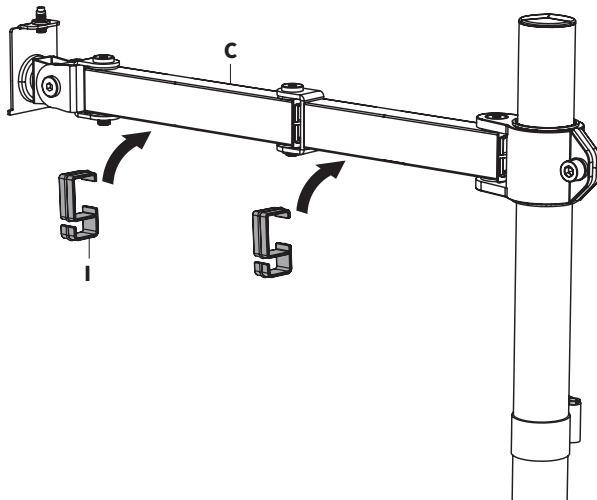
STEP 2

Slide Pole Cable Clip (**J**) and Swivel Arm (**C**) onto Pole (**A**). Tighten Swivel Arm (**C**) at desired height using 5mm Allen Wrench (**T-B**). Insert Pole Cap (**E**) into top of Pole (**A**).



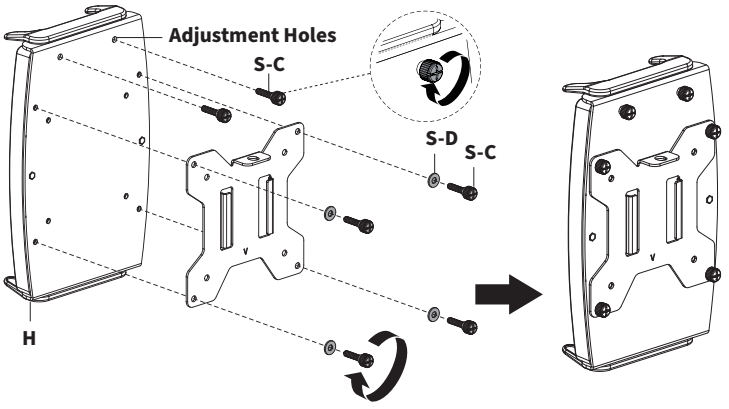
STEP 3

Attach Cable Clips (**I**) onto each segment of Swivel Arm (**C**).

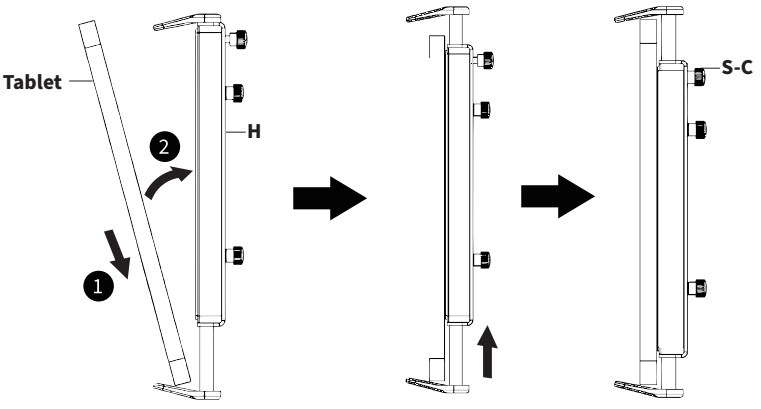


STEP 4

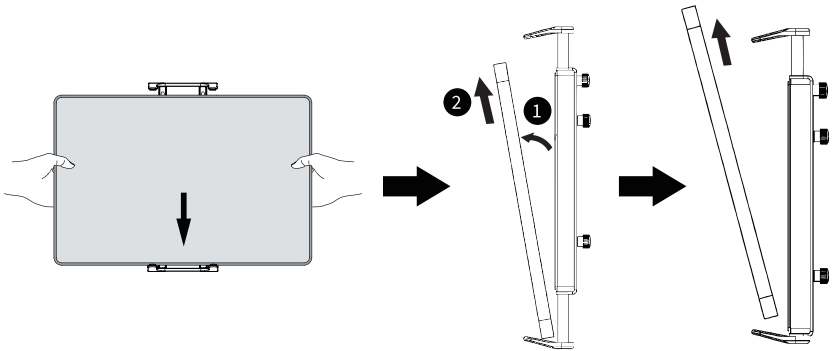
With the adjustment screw holes on top, mount Adapter (H) to to VESA Plate (D) using M4x16mm Thumbscrews (S-C) with M4 Washers (S-D) and a Phillips screwdriver. Loosly install remaining M4x16mm Thumbscrews (S-C) into the top adjustment holes in Adapter (H).



To adjust the Adapter (H) to fit the device, push device down onto springloaded tabs and position device against the face of the adapter. With previously installed M4x16mm Thumbscrews (S-C) still loose, center the device on the adapter, then tighten the Thumbscrews.

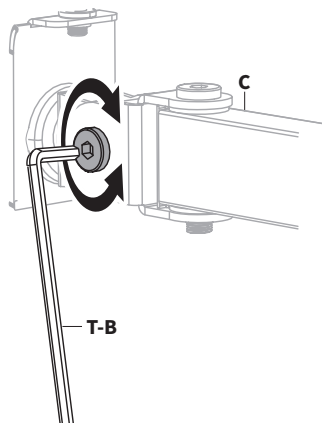


To remove the device for any reason, hold both sides of the device, pull down, tilt the device, then lift it out. Reinstall the device in reverse order.



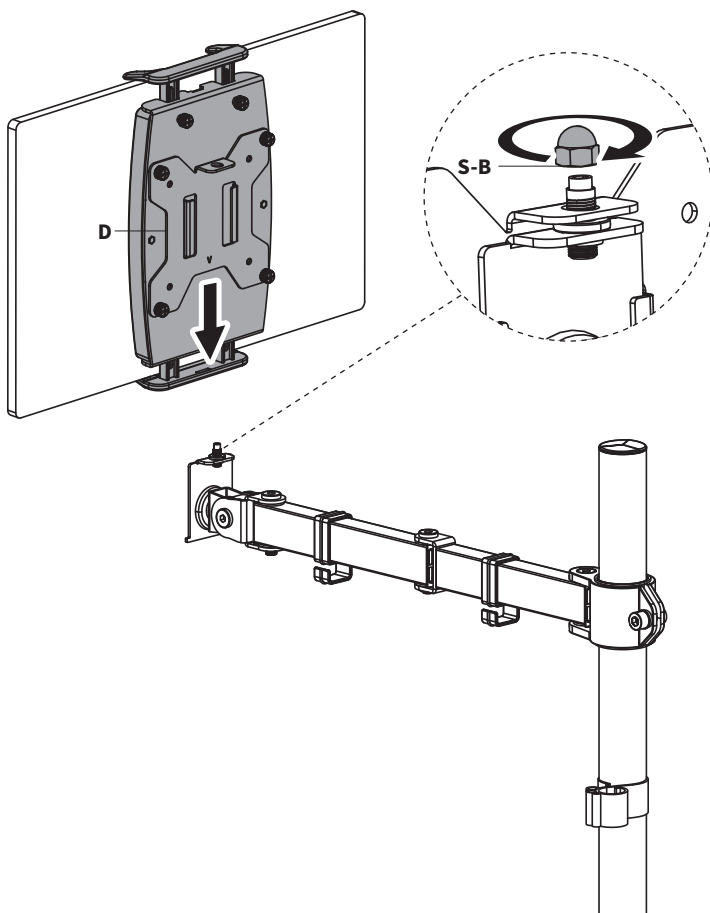
STEP 5

NOTE: Before proceeding, ensure that the tilt joint on Swivel Arm (C) is tight. Use 5mm Allen Wrench (T-B) to secure tilt joint.



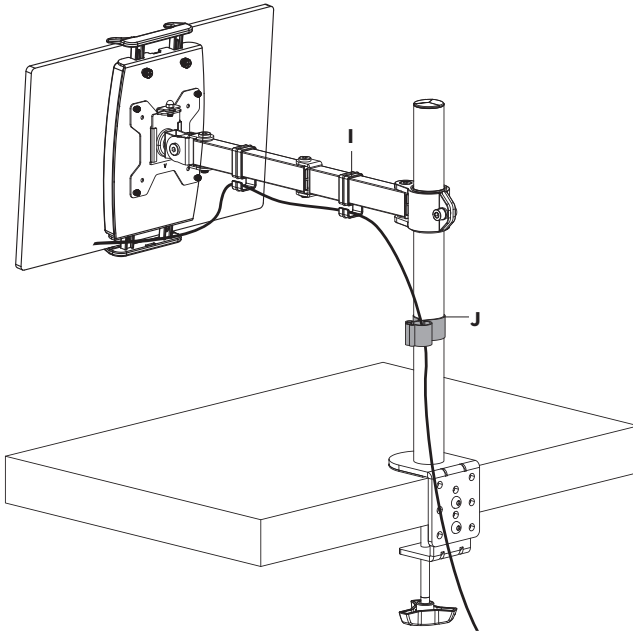
STEP 6

Slide VESA Plate (D) with adapter and tablet onto the head of Swivel Arm (C). Install the M6 Security Nut (S-B).



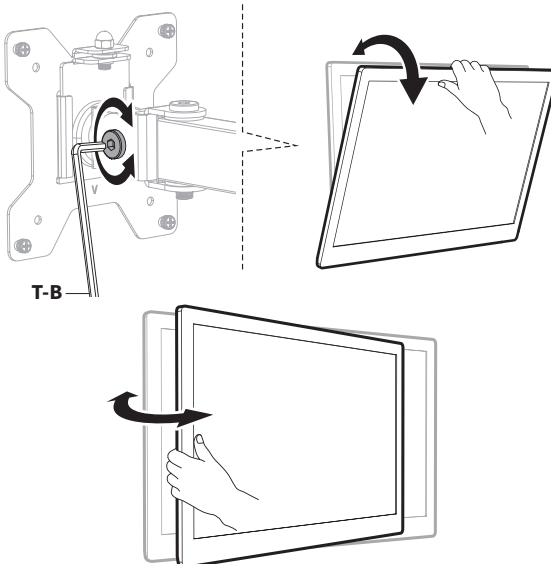
STEP 7

Manage cables in Cable Clips (**I**) and Pole Cable Clip (**J**).



ADJUST AS DESIRED

Tighten the screw with the supplied 5mm Allen Wrench (**T-B**) to fix the tilt angle and to make any necessary adjustments.



OPTIONAL USE: MONITOR MOUNT

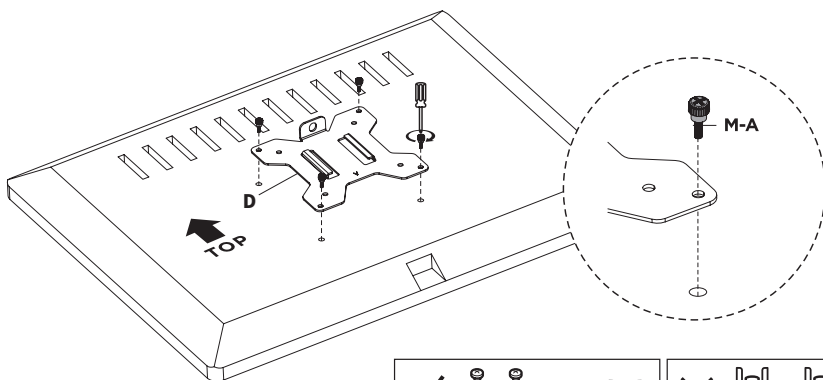
To use stand as single monitor mount, follow **Steps 1-3**, then return to these instructions to proceed.

STEP 4B

Flat Back Monitor

Attach the VESA Plate (**D**) to the monitor with Thumbscrews (**M-A**) and a Phillips screwdriver.

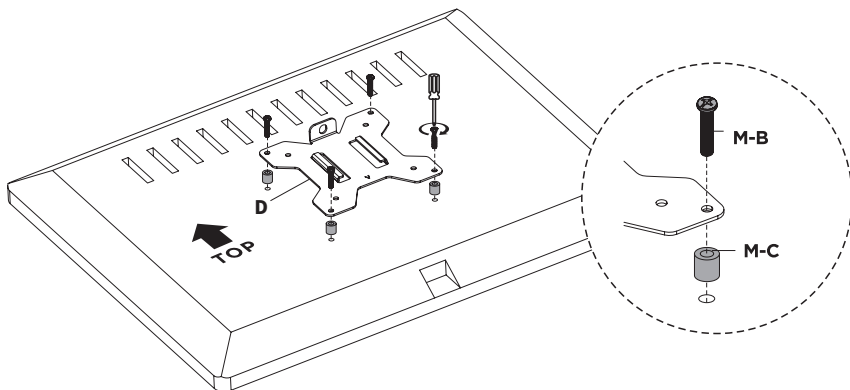
NOTE: Hand tighten screws to avoid over tightening.



Curved Back Monitor

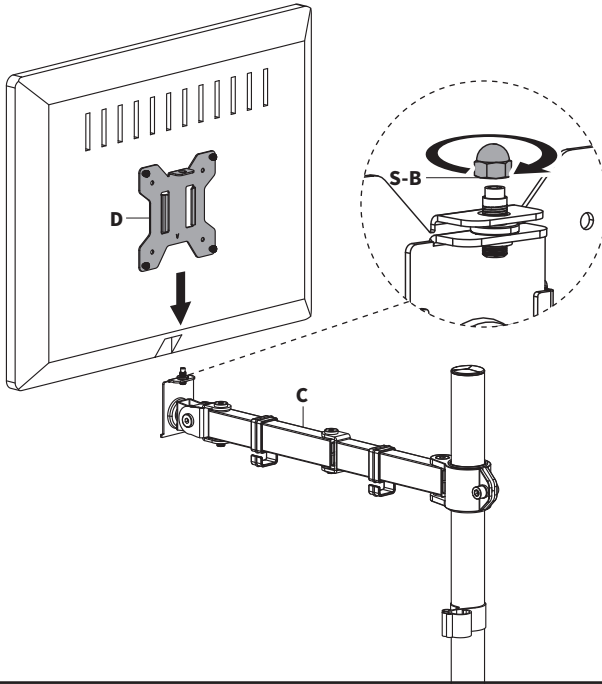
Attach the VESA Plate (**D**) to the monitor with M4x30mm Screws (**M-B**), M6 Spacers (**M-C**) and a Phillips screwdriver.

NOTE: Gently tighten using a screwdriver.



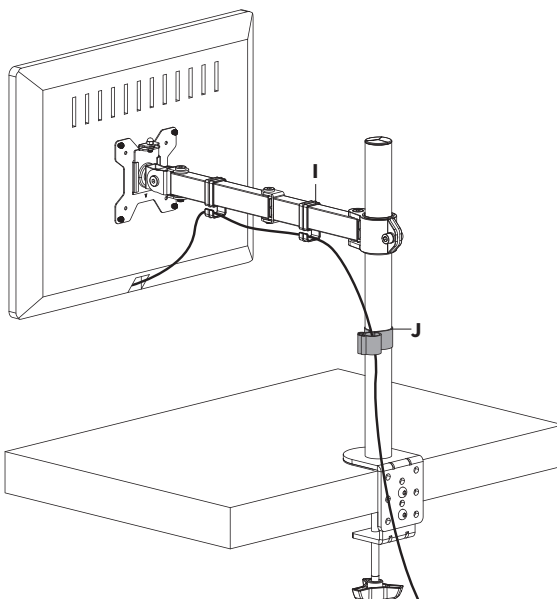
STEP 5B

Slide VESA Plate (**D**) with monitor onto the head of Swivel Arm (**C**). Install the M6 Security Nut (**S-B**). Make sure the security nut is installed before you rotate the monitor.



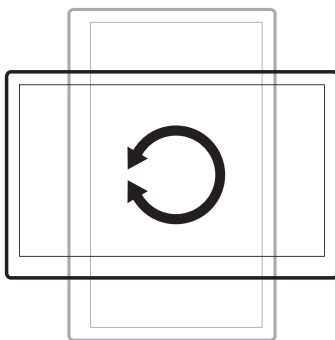
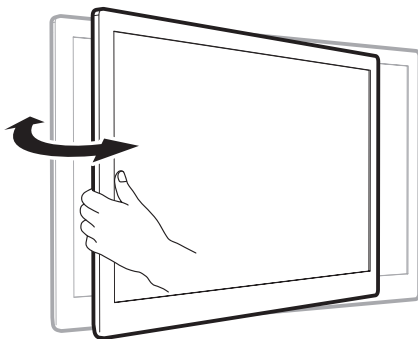
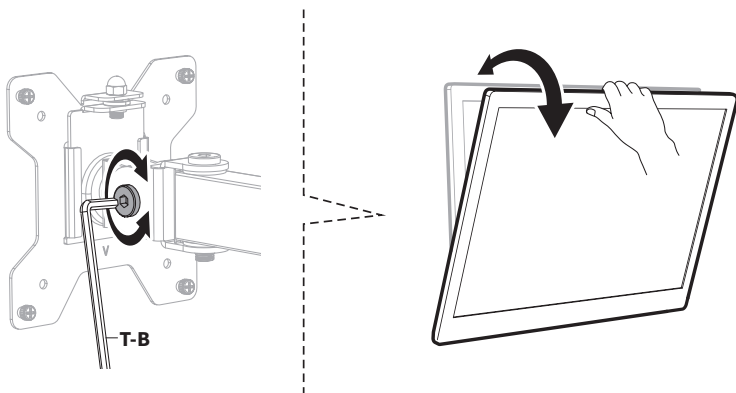
STEP 6B

Manage cables in Cable Clips (**I**) and Pole Cable Clip (**J**).



Adjust as Desired

Tighten the screw with the supplied 5mm Allen Wrench (**T-B**) to fix the tilt angle and to make any necessary adjustments.





Love your new VIVO setup and want to share?
Tag us in your photo! [@vivo_us](#)

LAST UPDATED: 07/13/2023
REV1.1



Open **Monday - Friday 7:00am - 7:00pm** CST,
our dedicated support team can offer immediate assistance with rapid response times. If any parts are received damaged or defective, please contact us. We are happy to replace parts to ensure you have a fully functioning product.



www.vivo-us.com
Chat live with an agent!

AVG. RESOLUTION TIME (*within office hrs*): **< 15 M**



309-278-5303

AVG. RESOLUTION TIME (*within office hrs*): **5M 4S**



help@vivo-us.com

AVG. RESPONSE TIME (*within office hrs*): **1HR 8M**

- 23% within < 15m
- 38% within < 30m
- 61% within < 1hr
- 83% within < 2hr
- 92% within < 3hr

FOR MORE VIVO PRODUCTS, CHECK OUT OUR WEBSITE AT: www.vivo-us.com