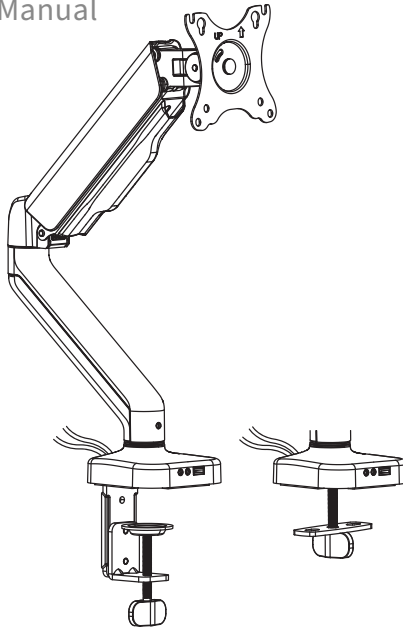




Mechanical Arm Single Monitor Desk Mount with USB

Instruction Manual



SKU: STAND-V001OU



Scan the QR code with your mobile device or follow the link for helpful videos and specifications related to this product.

<https://vivo-us.com/products/stand-v001ou>

GET IN TOUCH | Monday-Friday from 7:00am-7:00pm CST



help@vivo-us.com



www.vivo-us.com
Chat live with an agent!



309-278-5303

WARNING!

If you do not understand these directions, or if you have any doubts about the safety of the installation, please call a qualified technician. Check carefully to make sure there are no missing or defective parts. Improper installation may cause damage or serious injury. Do not use this product for any purpose that is not explicitly specified in this manual. Do not exceed weight capacity. We cannot be liable for damage or injury caused by improper mounting, incorrect assembly or inappropriate use.

TIPOVER WARNING

SERIOUS OR FATAL CRUSHING INJURIES CAN OCCUR FROM TIPOVER. TO HELP PREVENT TIPOVER:

- NEVER ALLOW CHILDREN TO CLIMB, STAND, HANG, OR PLAY ON ANY PART OF MONITOR OR STAND.
- USE TIPOVER RESTRAINT OR ANCHOR STAND TO WALL

USE OF TIPOVER RESTRAINTS MAY ONLY REDUCE, BUT NOT ELIMINATE RISK OF TIPOVER.

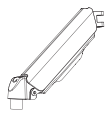
WARNING: CHOKING HAZARD

SMALL PARTS - NOT FOR CHILDREN UNDER 3 YEARS. ADULT SUPERVISION IS REQUIRED.

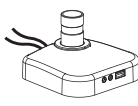
PACKAGE CONTENTS



A (x1)
Lower Arm



B (x1)
Upper Arm



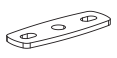
C (x1)
Base



D (x1)
Lower Clamp



E (x1)
Upper Clamp



F (x1)
Grommet Plate



G (x1)
VESA Plate



S-A (x2)
M6x8mm Screw



S-B (x2)
M6x10mm Screw



S-C (x1)
M8x30mm
Screw



S-D (x2)
ST3x8mm
Screw



M-A (x4)
M4x12mm
Screw



M-B (x4)
M5x12mm
Screw



M-C (x4)
M5 Washer



T-A (x1)
5mm Allen Wrench



T-B (x1)
4mm Allen Wrench

NOTE: SOME HARDWARE INCLUDED MAY NOT BE USED

DO NOT EXCEED WEIGHT CAPACITY.

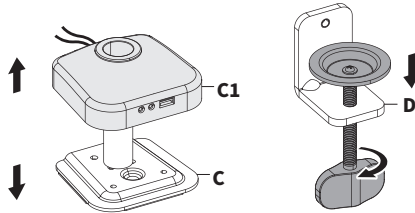
Failure to do so may result in serious injury.



ASSEMBLY STEPS

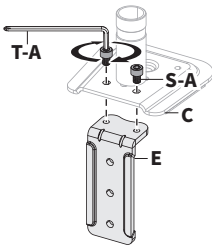
STEP 1 - Clamp Installation

Remove USB Cover (C1) from Base (C). Adjust the hand bolt completely down on Lower Clamp (D).

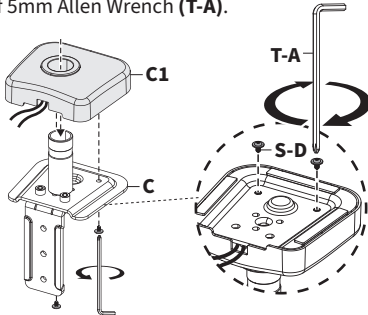


0.4"-1.90" (10-50mm) DESKTOPS

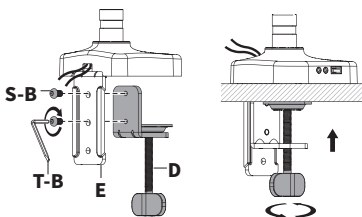
Install Upper Clamp (E) to Base (C) using M6x8mm Screws (S-A) and 5mm Allen Wrench (T-A).



Reinstall USB Cover (C1) onto Base (C) using ST3x8mm Screws (S-D) and the Phillips end of 5mm Allen Wrench (T-A).

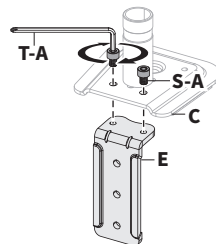


Attach Lower Clamp (D) to the top two holes on Upper Clamp (E) using M6x10mm Screws (S-B) and 4mm Allen Wrench (T-B). Secure clamp assembly to the desktop.

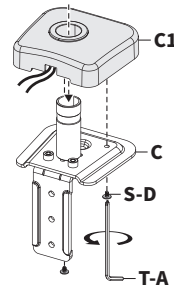


1.8"-3.1" (45-80mm) DESKTOPS

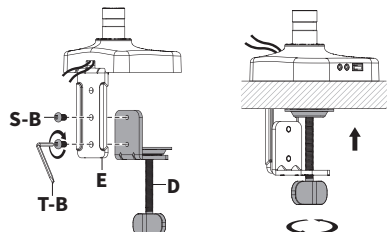
Install Upper Clamp (E) to Base (C) using M6x8mm Screws (S-A) and 5mm Allen Wrench (T-A).



Reinstall USB Cover (C1) onto Base (C) using 3x8mm Screws (S-D) and the Phillips end of 5mm Allen Wrench (T-A).

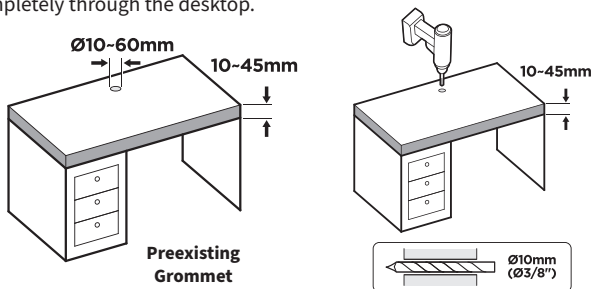


Attach Lower Clamp (D) to the bottom two holes on Upper Clamp (E) using M6x10mm Screws (S-B) and 4mm Allen Wrench (S-B). Secure clamp assembly to the desktop.

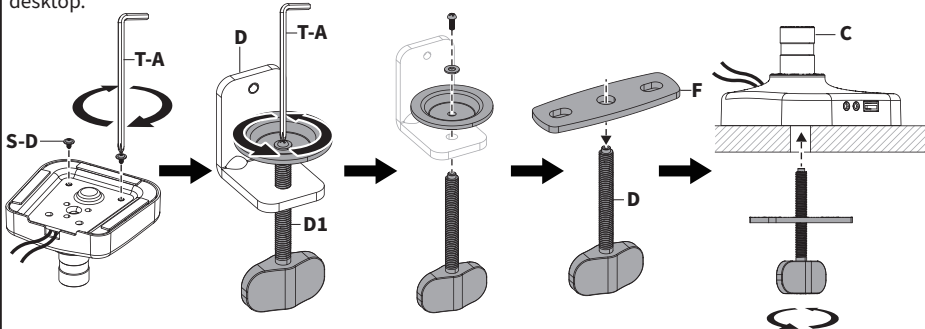


STEP 1 - Grommet

If desktop does not have a preexisting grommet hole, use a $\frac{3}{8}$ " (10mm) drill bit to create one by drilling completely through the desktop.

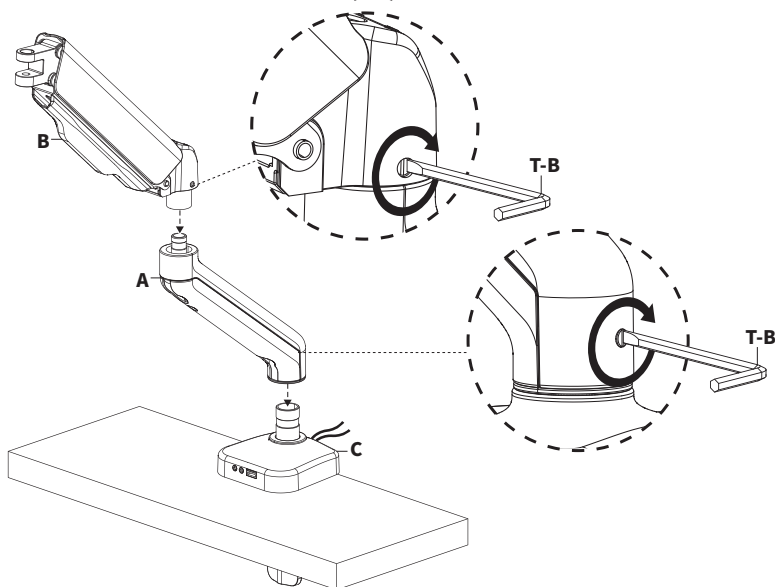


Secure the plastic shroud to Base (C) using ST3x8mm Screws (S-D) and the Phillips end of 5mm Allen Wrench (T-A). Disassemble Lower Clamp (D) using the Phillips end on 5mm Allen Wrench (T-A) and separate Hand Bolt (D1). Place Grommet Plate (F) on Hand Bolt (D1) and secure Base (C) to the desktop.



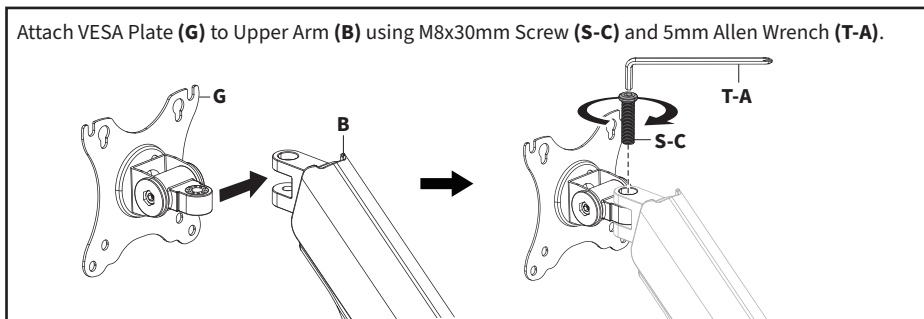
STEP 2

Place Lower Arm (A) onto Base (C), then place Upper Arm (B) onto Lower Arm (A). Tighten set screws using the flathead end on 4mm Allen Wrench (T-B).



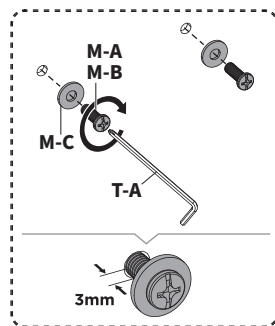
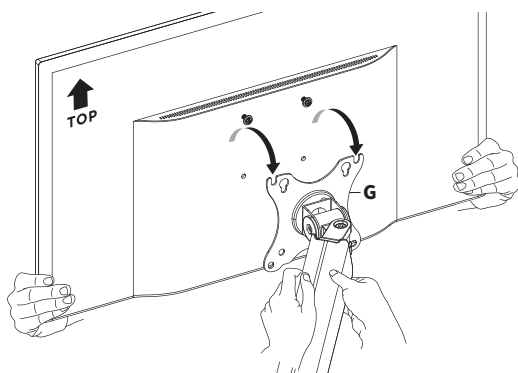
STEP 3

Attach VESA Plate (**G**) to Upper Arm (**B**) using M8x30mm Screw (**S-C**) and 5mm Allen Wrench (**T-A**).

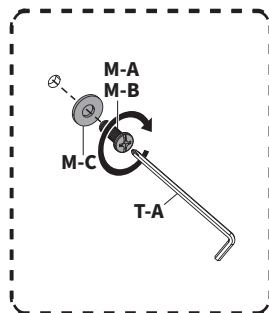
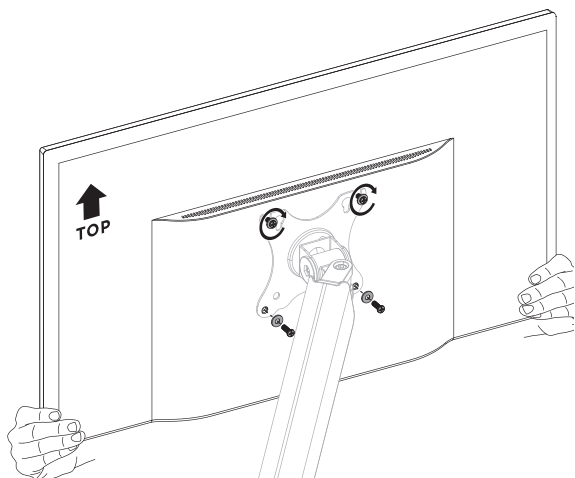


STEP 4

Install two Screws (**M-A or M-B**) and M5 Washers (**M-C**) using the Phillips end of 5mm Allen Wrench (**T-A**) to the top VESA holes on the monitor leaving at least 3mm of clearance between the screw and monitor. Slide the monitor onto VESA Plate (**G**) making sure the screws sit within the slots.

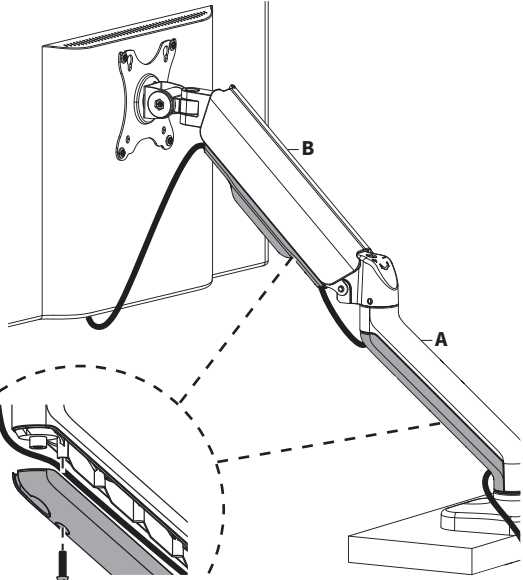
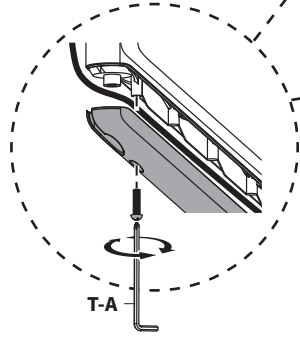
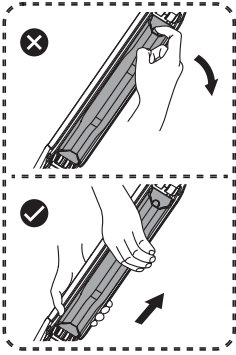


Tighten the top two screws and install the remaining Screws (**M-A or M-B**) and 5mm Washers (**M-E**) using the Phillips end of 5mm Allen Wrench (**T-A**).



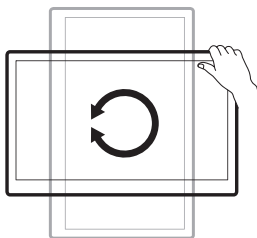
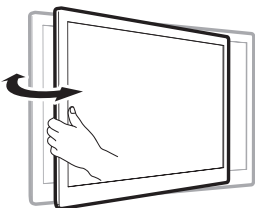
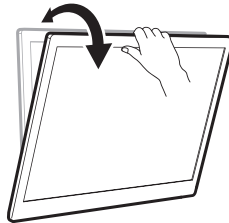
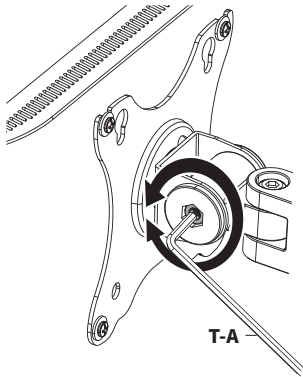
Cable Management

Remove plastic covers from Arms **(A,B)** using Phillips screwdriver end of 5mm Allen Wrench **(T-A)**. Run cables from monitor through bottom of Arms **(A,B)**, then reattach plastic covers.



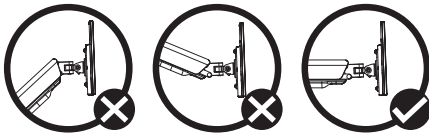
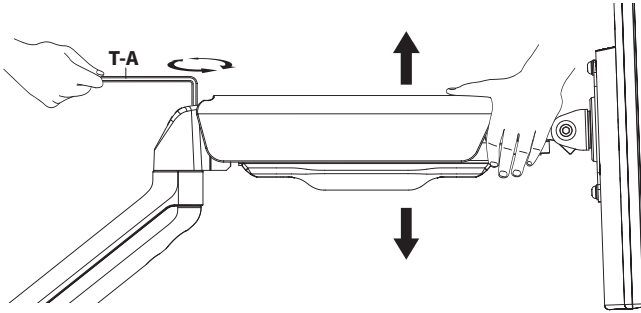
Adjust as Desired

Use 5mm Allen Wrench **(T-A)** to adjust tilt.



Tension Adjustment

While holding the arm in the horizontal position, adjust the gas spring tension using the 5mm Allen Wrench (**T-A**).



CAUTION:

To avoid damage to the monitor or mount, always ensure the arm is in a horizontal position before making adjustments. An additional person may be required to assist in some cases.

WARNING:

Monitor must be installed on mount before making tension adjustments to the gas spring arm.



If the arm **drops**, turn the adjustment screw clockwise until it stays in a horizontal position.

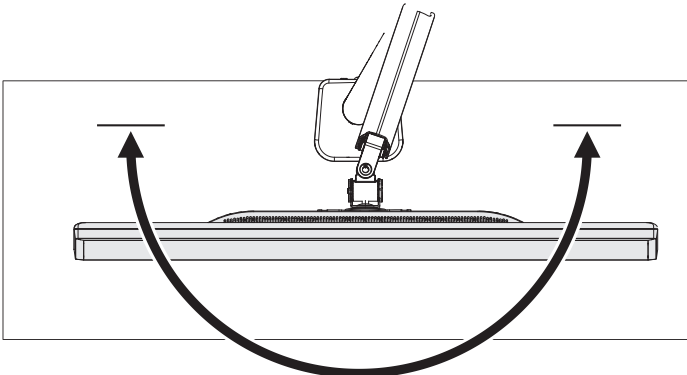


If the arm **rises**, turn the adjustment screw counter-clockwise until it stays in a horizontal position



CAUTION:

Do not over tighten screws.



CAUTION:

DO NOT rotate monitor past rear edge of desk to avoid an unstable situation may cause tipping.



Love your new VIVO setup and want to share?
Tag us in your photo! [@vivo_us](#)

LAST UPDATED: 09/15/2023
REV3



Open **Monday - Friday 7:00am - 7:00pm** CST,
our dedicated support team can offer immediate assistance with rapid response times. If any parts are received damaged or defective, please contact us. We are happy to replace parts to ensure you have a fully functioning product.

309-278-5303

AVG. RESOLUTION TIME (*within office hrs*): **5M 4S**

www.vivo-us.com
Chat live with an agent!

AVG. RESOLUTION TIME (*within office hrs*): **< 15 M**

help@vivo-us.com

AVG. RESPONSE TIME (*within office hrs*): **1HR 8M**

- 23% within < 15m
- 38% within < 30m
- 61% within < 1hr
- 83% within < 2hr
- 92% within < 3hr

FOR MORE VIVO PRODUCTS, CHECK OUT OUR WEBSITE AT: www.vivo-us.com