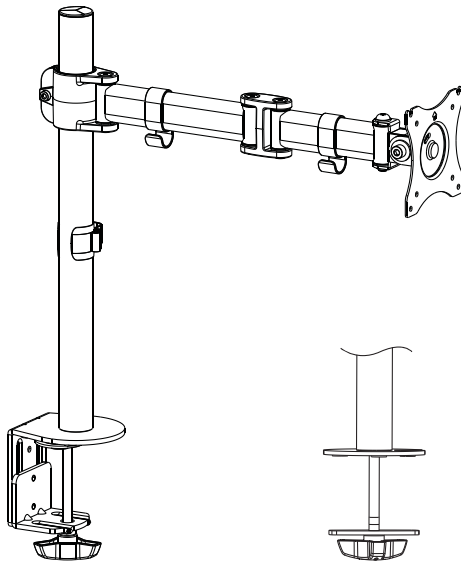




Single Monitor Desk Mount

Instruction Manual



SKU: STAND-V001M



Scan the QR code with your mobile device or follow the link for helpful videos and specifications related to this product.

<https://vivo-us.com/products/stand-v001m>

GET IN TOUCH | Monday-Friday from 7:00am-7:00pm CST



help@vivo-us.com



www.vivo-us.com
Chat live with an agent!



309-278-5303

WARNING!

If you do not understand these directions, or if you have any doubts about the safety of the installation, please call a qualified technician. Check carefully to make sure there are no missing or defective parts. Improper installation may cause damage or serious injury. Do not use this product for any purpose that is not explicitly specified in this manual. Do not exceed weight capacity. We cannot be liable for damage or injury caused by improper mounting, incorrect assembly or inappropriate use.

TIPOVER WARNING

SERIOUS OR FATAL CRUSHING INJURIES CAN OCCUR FROM TIPOVER. TO HELP PREVENT TIPOVER:

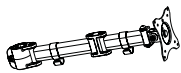
- NEVER ALLOW CHILDREN TO CLIMB, STAND, HANG, OR PLAY ON ANY PART OF MONITOR OR STAND.
- USE TIPOVER RESTRAINT OR ANCHOR STAND TO WALL

USE OF TIPOVER RESTRAINTS MAY ONLY REDUCE, BUT NOT ELIMINATE RISK OF TIPOVER.

WARNING: CHOKING HAZARD

SMALL PARTS - NOT FOR CHILDREN UNDER 3 YEARS. ADULT SUPERVISION IS REQUIRED.

PACKAGE CONTENTS



A (x1)
Arm



B (x1)
Pole



C (x1)
Clamp



D (x1)
Grommet
Plate



E (x1)
Support Plate



F (x1)
Pole Cap



G (x5)
Rubber Pad



H (x1)
Cable Clip



S-A (x3)
M6x16mm Screw



M-A (x4)
M4x12mm Screw



M-B (x4)
M5x12mm Screw



M-C (x4)
M5 Washer



T-A (x1)
4mm Allen
Wrench



T-B (x1)
5mm Allen
Wrench



T-C (x1)
6mm Allen
Wrench

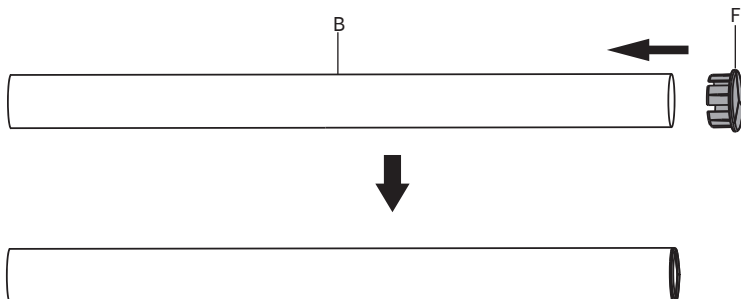
NOTE: SOME HARDWARE INCLUDED MAY NOT BE USED



ASSEMBLY STEPS

STEP 1

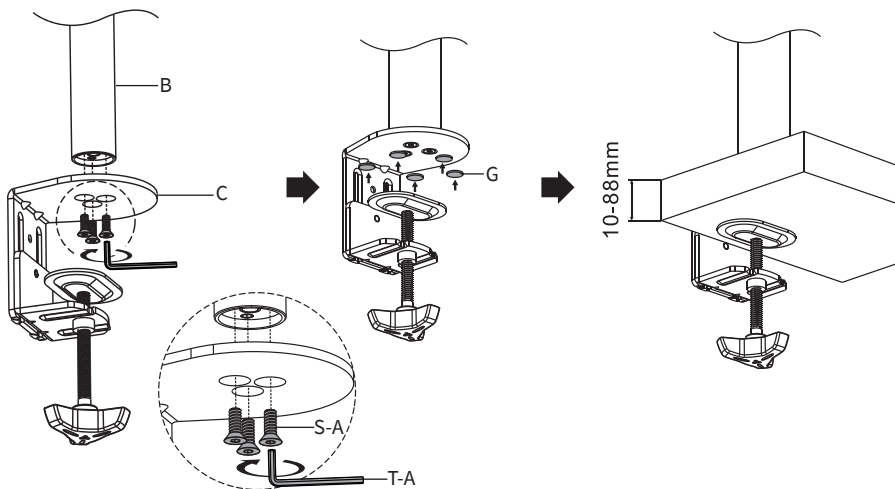
Insert Pole Cap (F) into Pole (B).



STEP 2 (Option A)

Clamp Installation

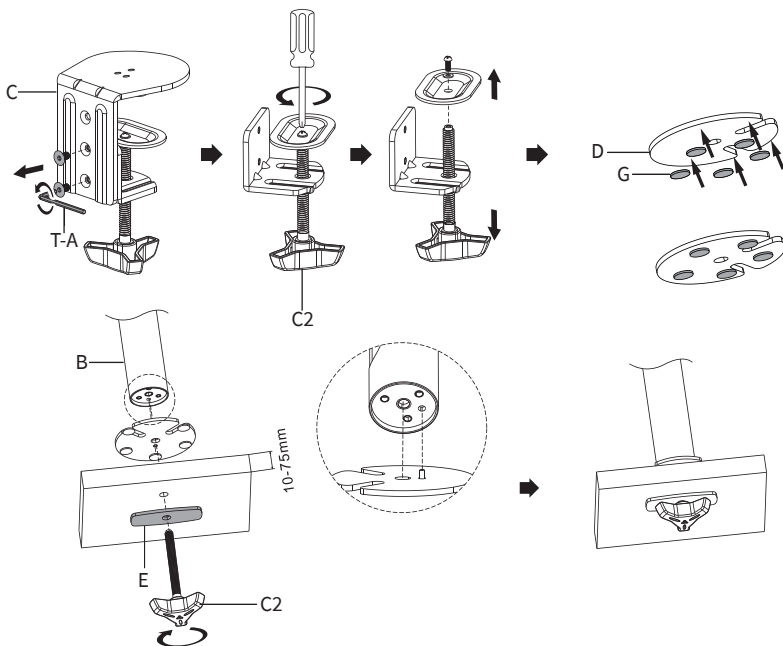
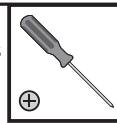
Assemble Pole (B) to Clamp (C) using M6x16mm Screws (S-A) and 4mm Allen Wrench (T-A). Remove adhesive backing from Rubber Pads (G) and stick them to the underside of Clamp (C). Attach the clamp assembly to the desktop.



STEP 2 (Option B)

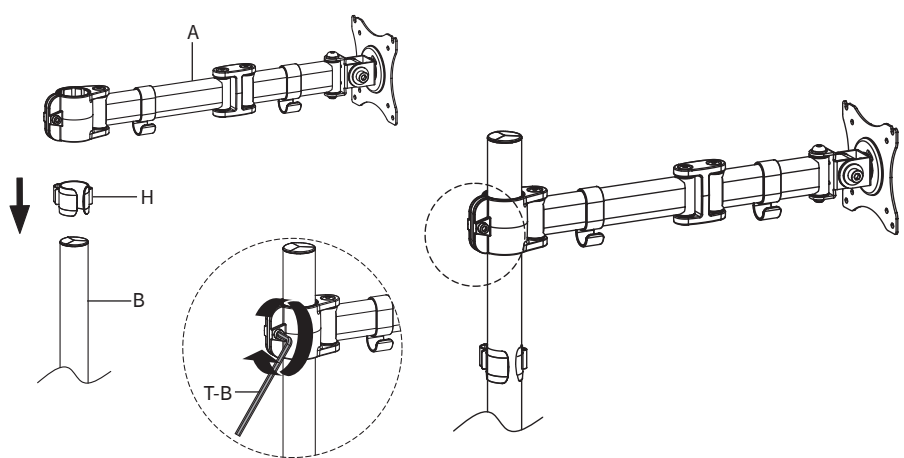
Grommet Base Installation

Remove screws from the back of Clamp (C) using 4mm Allen Wrench (T-A). Using a Phillips screwdriver, remove the screw from Clamp Bolt (C2) and separate Clamp Bolt (C2) from Clamp (C). Remove adhesive backing from Rubber Pads (G) and stick them to the underside of Grommet Plate (D). If desk does not have an existing grommet hole, drill a 3/8" (10mm) diameter hole at the desired position through the mounting surface. Assemble Pole (B) to Grommet Plate (D) using Clamp Bolt (C2) and Support Plate (E).



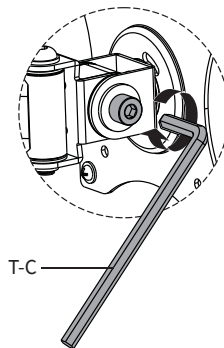
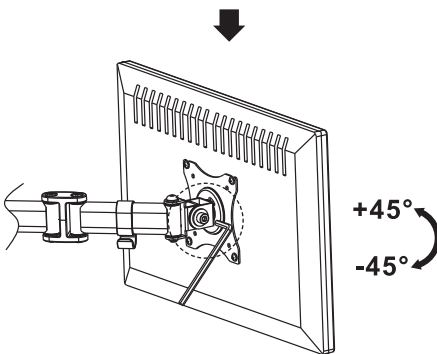
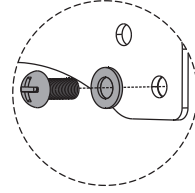
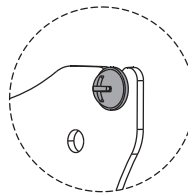
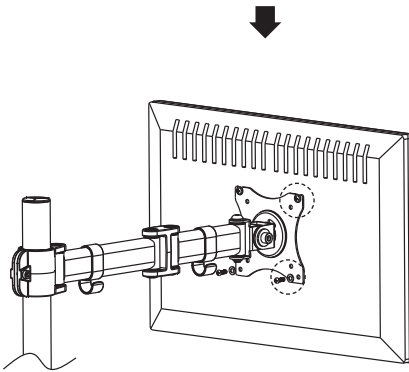
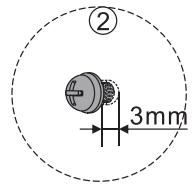
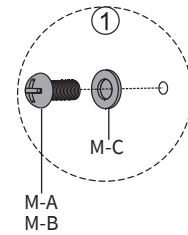
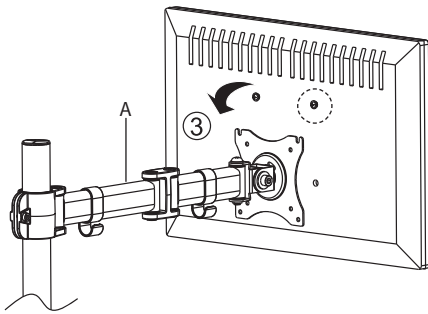
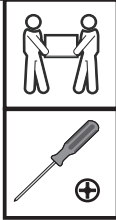
STEP 3

Slide Cable Clip (H) and Arm (A) onto Pole (B). Tighten Arm (A) using 5mm Allen Wrench (T-B).



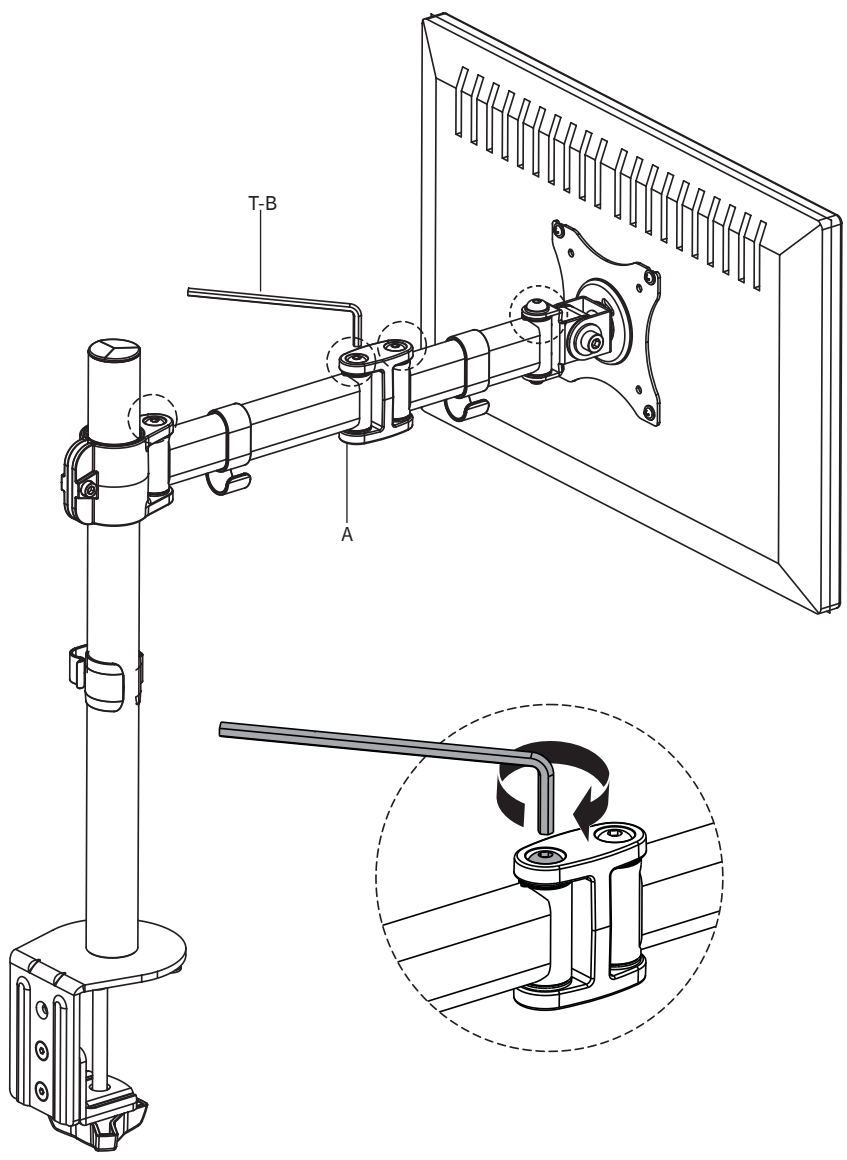
STEP 4

Attach two Screws (**M-A or M-B**) and M5 Washers (**M-C**) to top mounting holes of your monitor, making sure to leave 3mm of threads exposed. Insert Screws (**M-A, M-B**) into the top slots in the VESA plate on Arm (**A**). Secure using two more Screws (**M-A or M-B**) and M5 Washers (**M-C**) in the bottom two holes and tighten using a Phillips screwdriver. Adjust the tilt of the monitor using 6mm Allen Wrench (**T-C**).



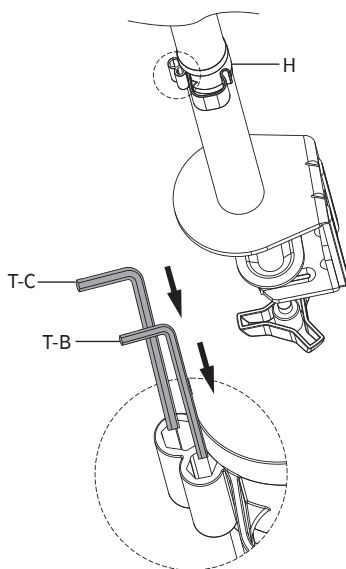
STEP 5

Adjust the tension in Arm (A) using 5mm Allen Wrench (T-B) as shown below.



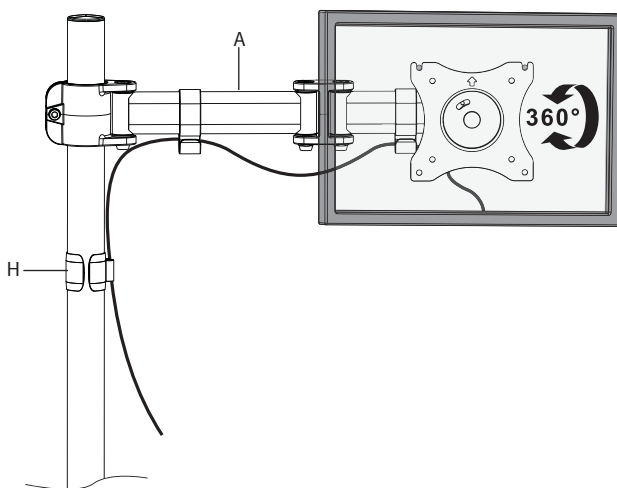
STEP 6

Store 5mm Allen Wrench (**T-B**) and 6mm Allen Wrench (**T-C**) in Cable Clip (**H**) for future adjustment.



STEP 7

Manage cables using the cable management clips on Arm (**A**) and Cable Clip (**H**). Adjust the monitor as desired.





Open **Monday - Friday 7:00am - 7:00pm** CST,
our dedicated support team can offer immediate assistance with rapid response times. If any parts are received damaged or defective, please contact us. We are happy to replace parts to ensure you have a fully functioning product.



309-278-5303

AVG. RESOLUTION TIME (*within office hrs*): **5M 4S**



www.vivo-us.com
Chat live with an agent!

AVG. RESOLUTION TIME (*within office hrs*): **< 15 M**



help@vivo-us.com

AVG. RESPONSE TIME (*within office hrs*): **1HR 8M**

- 23% within < 15m
- 38% within < 30m
- 61% within < 1hr
- 83% within < 2hr
- 92% within < 3hr