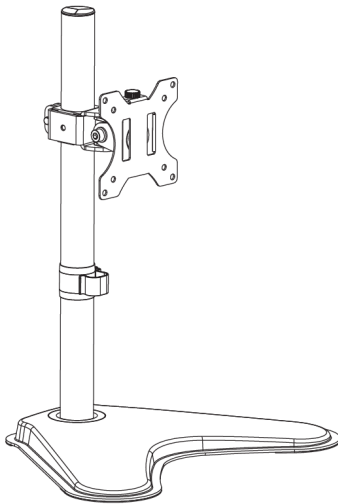




Single Monitor Desk Stand

Instruction Manual



SKU: STAND-V001H



Scan the QR code with your mobile device or follow the link for helpful videos and specifications related to this product.

<https://vivo-us.com/products/stand-v001h>

GET IN TOUCH | Monday-Friday from 7:00am-7:00pm CST



help@vivo-us.com



www.vivo-us.com
Chat live with an agent!



309-278-5303

WARNING!

If you do not understand these directions, or if you have any doubts about the safety of the installation, please call a qualified technician. Check carefully to make sure there are no missing or defective parts. Improper installation may cause damage or serious injury. Do not use this product for any purpose that is not explicitly specified in this manual. Do not exceed weight capacity. We cannot be liable for damage or injury caused by improper mounting, incorrect assembly or inappropriate use.

TIPOVER WARNING

SERIOUS OR FATAL CRUSHING INJURIES CAN OCCUR FROM TIPOVER. TO HELP PREVENT TIPOVER:

- NEVER ALLOW CHILDREN TO CLIMB, STAND, HANG, OR PLAY ON ANY PART OF MONITOR OR STAND.
- USE TIPOVER RESTRAINT OR ANCHOR STAND TO WALL

USE OF TIPOVER RESTRAINTS MAY ONLY REDUCE, BUT NOT ELIMINATE RISK OF TIPOVER.

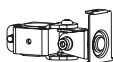
WARNING: CHOKING HAZARD

SMALL PARTS - NOT FOR CHILDREN UNDER 3 YEARS. ADULT SUPERVISION IS REQUIRED.

PACKAGE CONTENTS



A (x1)
VESA Plate



B (x1)
Bracket



C (x1)
Base



D (x1)
Pole



E (x1)
Pole Cover



F (x1)
Cable Clip



G (x1)
Thumbscrew



H (x3)
Screw



I (x1)
4mm Allen
Wrench



J (x1)
6mm Allen
Wrench



M-A (x4)
M4x12



M-B (x4)
M4x16



M-C (x4)
M5x12



M-D (x4)
M5x16



M-E (x4)
D5 Washer



M-F (x4)
Spacer

NOTE: SOME HARDWARE INCLUDED MAY NOT BE USED

TOOLS NEEDED



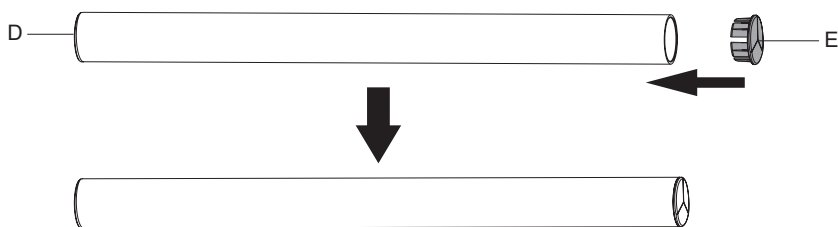
DO NOT EXCEED WEIGHT CAPACITY.
Failure to do so may result in serious injury.

22 lbs
(10 kg)

ASSEMBLY STEPS

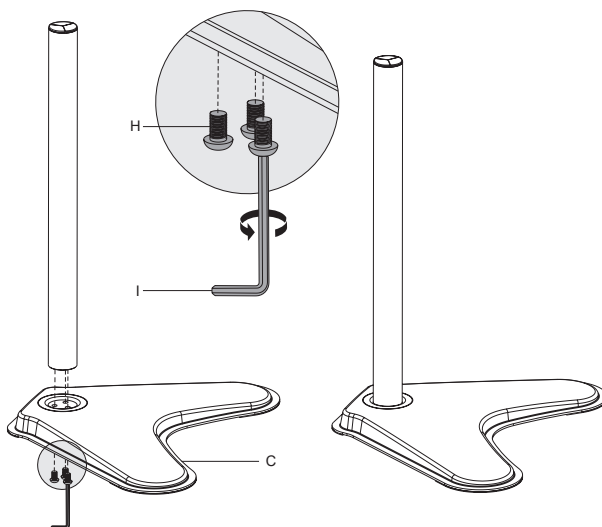
STEP 1

Attach the pole cap (E) to the top of the pole (D).



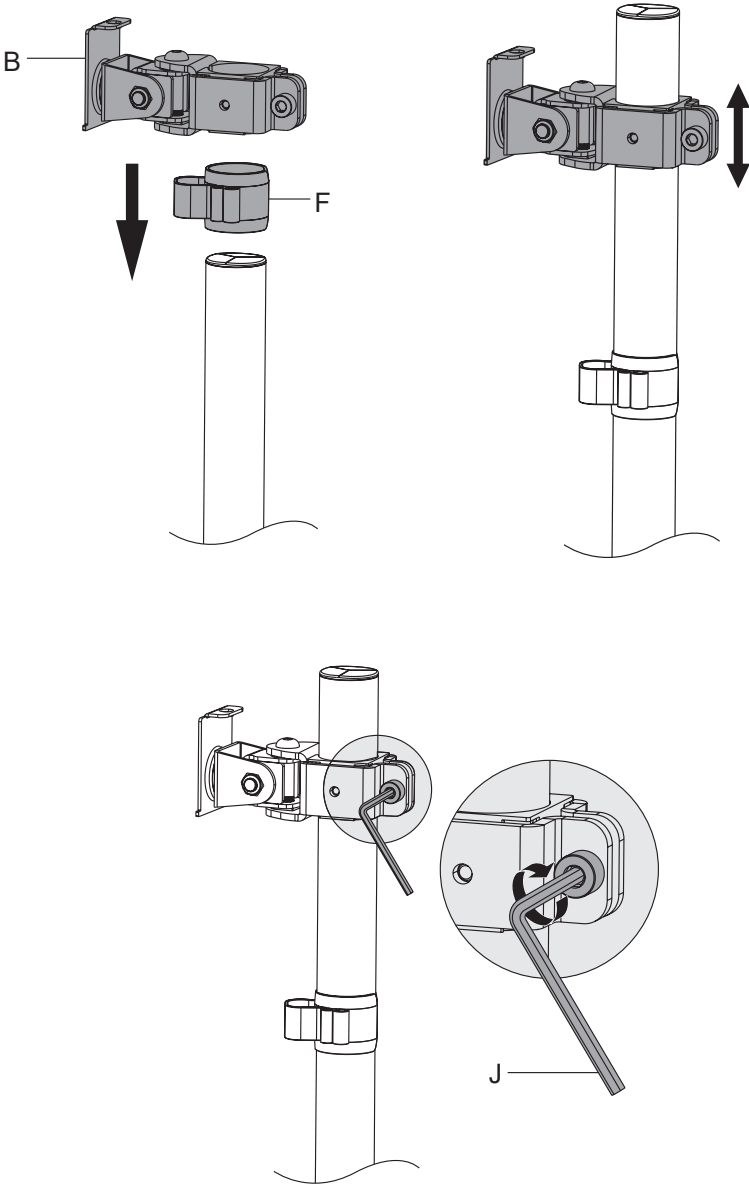
STEP 2

Use the 4mm Allen wrench (I) to tighten the screws (H) into the pole from the bottom of the base (C).



STEP 3

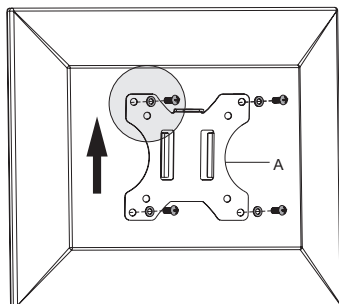
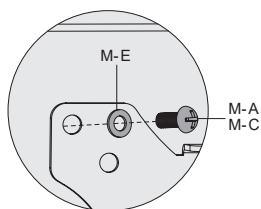
Slide the cable clip (**F**) onto the pole. Slide the mounting bracket (**B**) onto the pole. Tighten the mounting bracket (**B**) on the pole using a 6mm Allen wrench (**J**).



STEP 4

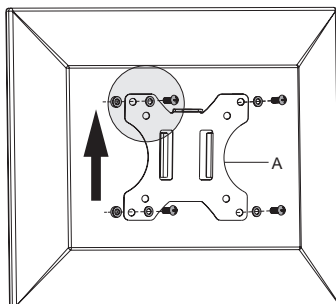
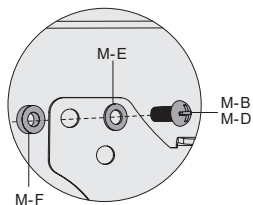
OPTION A: Flat Back Monitor

For flat back monitor, secure VESA plate (A) to monitor using screws (M-A or M-C) and washers (M-E).



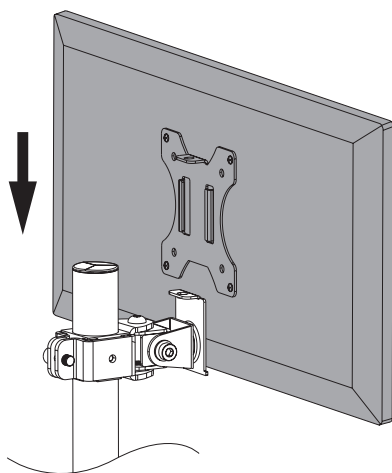
OPTION B: Curved Back Monitor

For monitor with curved or recessed back, align spacers (M-F) with mounting holes in monitor, and secure VESA plate (A) to monitor using screws (M-B or M-D) and washers (M-E).

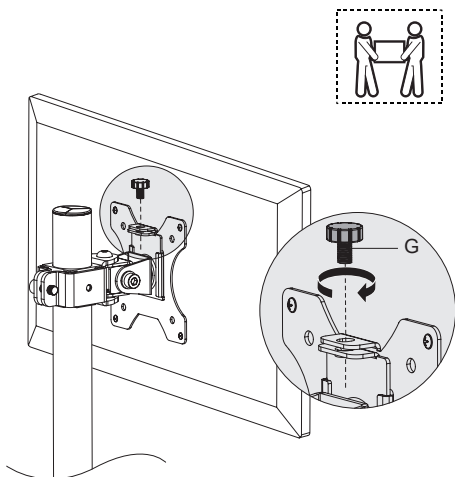


STEP 5

Slide monitor with VESA plate onto mounting bracket.

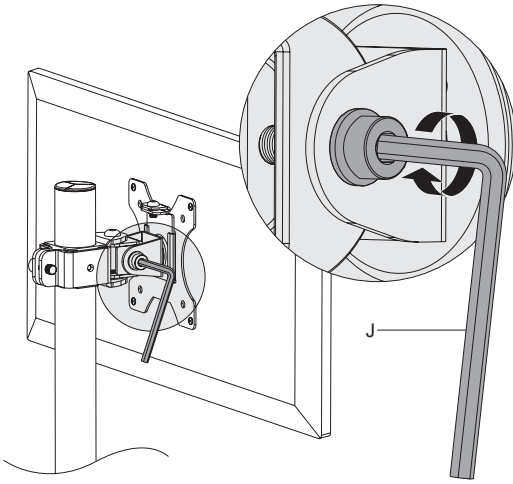


Secure with thumbscrew (G).



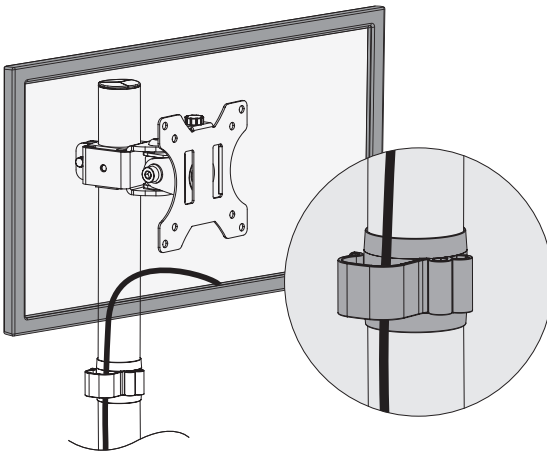
STEP 6

Tighten or loosen tilt joint using 6mm Allen wrench (**J**).



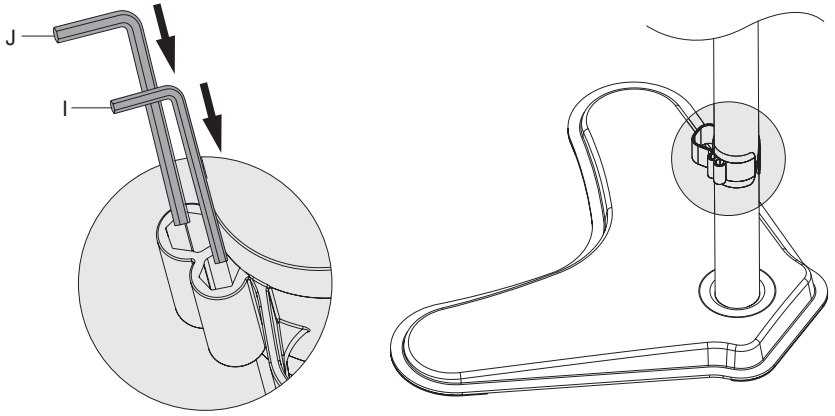
STEP 7

Manage cables with installed cable clip.



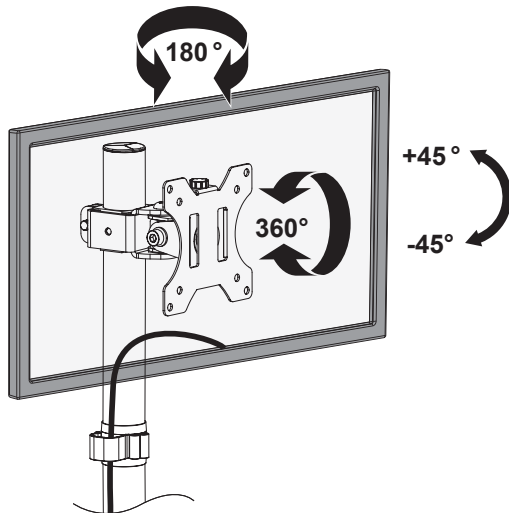
STEP 8

Store tools in cable clip.



STEP 9

Adjust monitor position and rotation.






Open **Monday - Friday 7:00am - 7:00pm** CST,

our dedicated support team can offer immediate assistance with rapid response times. If any parts are received damaged or defective, please contact us. We are happy to replace parts to ensure you have a fully functioning product.


 help@vivo-us.com

AVG. RESPONSE TIME (*within office hrs*): **1HR 8M**

- 23% within < 15m
- 38% within < 30m
- 61% within < 1hr
- 83% within < 2hr
- 92% within < 3hr

 www.vivo-us.com
Chat live with an agent!

AVG. RESOLUTION TIME (*within office hrs*): **< 15 M**

 309-278-5303

AVG. RESOLUTION TIME (*within office hrs*): **5M 4S**