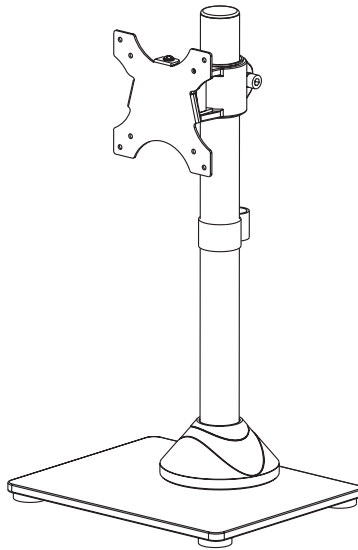


Single Monitor Desk Stand

Instruction Manual



SKU: STAND-V001HG



Scan the QR code with your mobile device or follow the link for helpful videos and specifications related to this product.

<https://vivo-us.com/products/stand-v001hg>



help@vivo-us.com



www.vivo-us.com



1-800-371-5654

! WARNING!

If you do not understand these directions, or if you have any doubts about the safety of the installation, please call a qualified technician. Check carefully to make sure there are no missing or defective parts. Improper installation may cause damage or serious injury. Do not use this product for any purpose that is not explicitly specified in this manual. Do not exceed weight capacity. We cannot be liable for damage or injury caused by improper mounting, incorrect assembly or inappropriate use.

! TIPOVER WARNING

SERIOUS OR FATAL CRUSHING INJURIES CAN OCCUR FROM TIPOVER. TO HELP PREVENT TIPOVER:

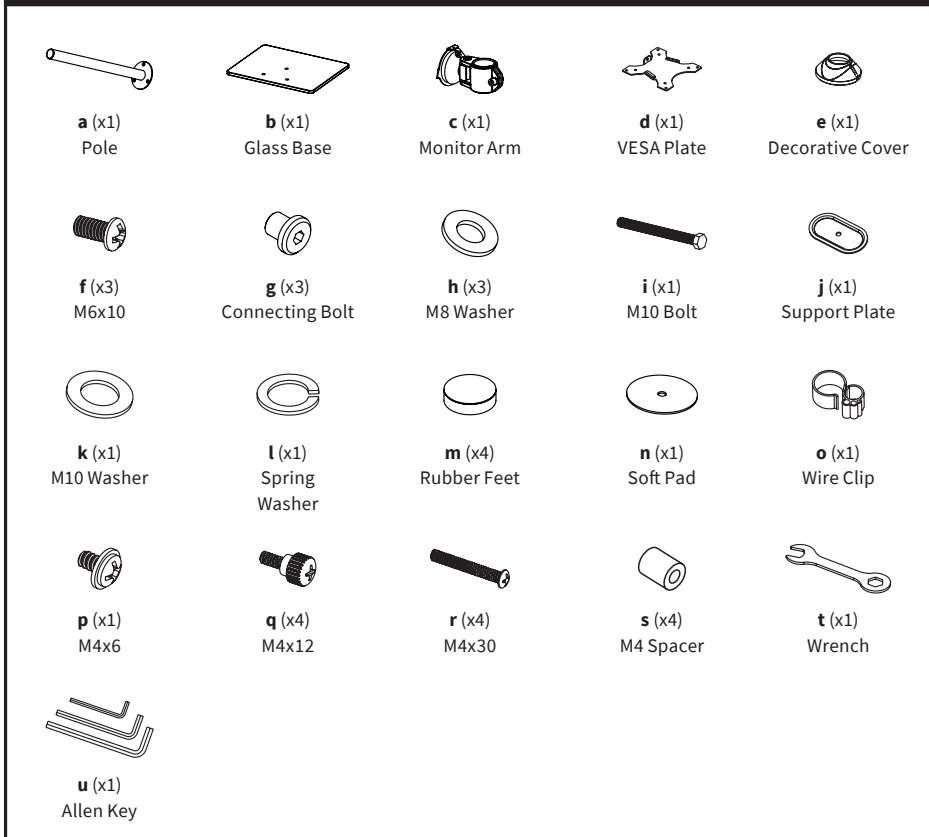
- NEVER ALLOW CHILDREN TO CLIMB, STAND, HANG, OR PLAY ON ANY PART OF MONITOR OR STAND.
- USE TIPOVER RESTRAINT OR ANCHOR STAND TO WALL

USE OF TIPOVER RESTRAINTS MAY ONLY REDUCE, BUT NOT ELIMINATE RISK OF TIPOVER.

! WARNING: CHOKING HAZARD

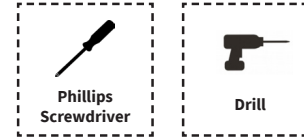
SMALL PARTS - NOT FOR CHILDREN UNDER 3 YEARS. ADULT SUPERVISION IS REQUIRED.

PACKAGE CONTENTS



NOTE: NOT ALL HARDWARE INCLUDED WILL BE USED

TOOLS NEEDED



DO NOT EXCEED WEIGHT CAPACITY.
Failure to do so may result in serious injury.

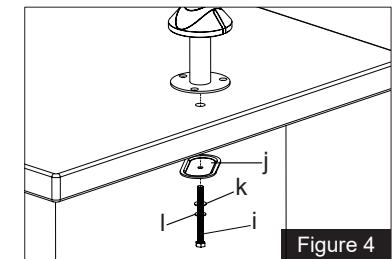
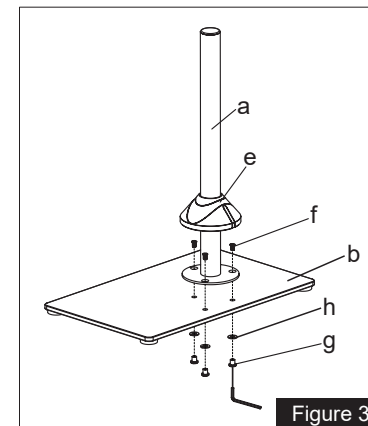
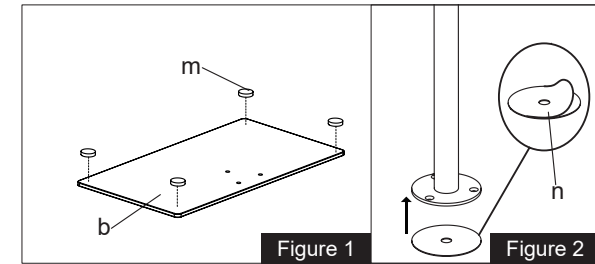


ASSEMBLY STEPS

STEP 1

OPTION A: Weighted Base Installation

1. Attach Rubber Feet (**m**) to the underside of the Glass Base (**b**). See Figure 1.
2. Attach Soft Pad (**n**) to the Pole (**a**). See Figure 2.
3. Use a screwdriver to poke holes for screws through the pad. Install Pole to Glass Base using M6x10 Bolts (**f**), Connecting Bolts (**g**) and M8 Washers (**h**), and tighten with medium Allen Key (**u**) and screwdriver. Slide Decorative Cover (**e**) over the Pole. See Figure 3.
4. (Optional) Drill a 10mm diameter hole in your desk and secure using the Support Plate (**j**), M10 Washer (**k**), Spring Washer (**l**) and M10 Bolt (**i**). Fasten the M10 Bolt with provided Wrench (**t**). See Figure 4.



STEP 1 (Continued)

OPTION B: Grommet Base Installation

1. If the existing grommet hole comes with a plastic protector, first remove it to ensure a flat mounting surface. Attach Soft Pad (**n**) to Pole (**a**). See Figure 5.
2. Position Pole on the mounting surface and secure using the Support Plate (**j**), M10 Washer (**k**), Spring Washer (**l**) and M10 Bolt (**i**). Tighten using the Wrench (**t**), and slide Decorative Cover (**e**) over the top of the Pole. See Figure 6.

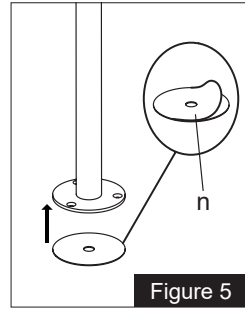


Figure 5

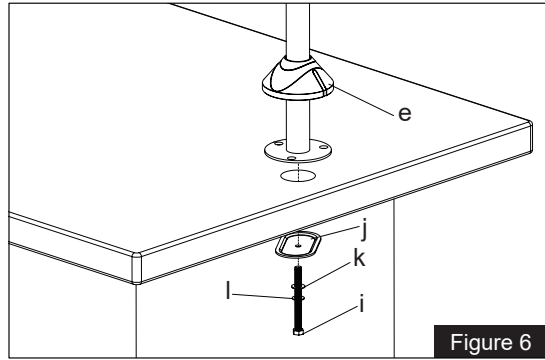


Figure 6

OPTION C: Self-Drilled Grommet Base Installation

1. Determine mounting location on desktop and mark the center drilling location. Drill a 3/8" (10mm) diameter hole through surface at the marked location. Attach Soft Pad (**n**) to Pole (**a**) See Figure 7.
2. Position Pole on the mounting surface and secure using the Support Plate (**j**), M10 Washer (**k**), Spring Washer (**l**) and M10 Bolt (**i**) (Figure 7). Tighten using the Wrench (**t**), and slide Decorative Cover (**e**) over the top of the Pole. See Figure 8.

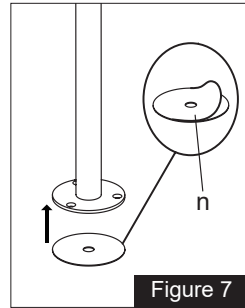


Figure 7

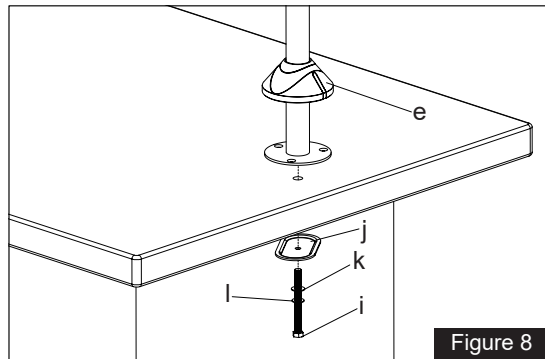
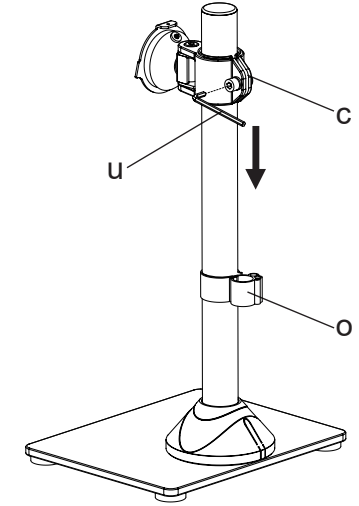


Figure 8

STEP 2

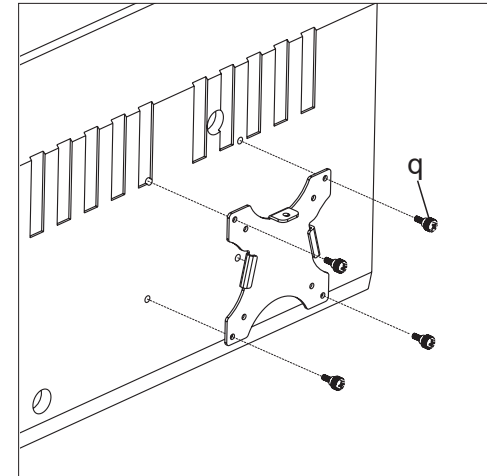
Install Monitor Arm (**c**) to the Pole (**a**). Fasten the bolt with supplied Allen Key (**u**). Attach the Wire Clip (**o**) to the Pole (**a**) with the large Allen Key (**u**).



STEP 3

OPTION A: Flat Back Monitor

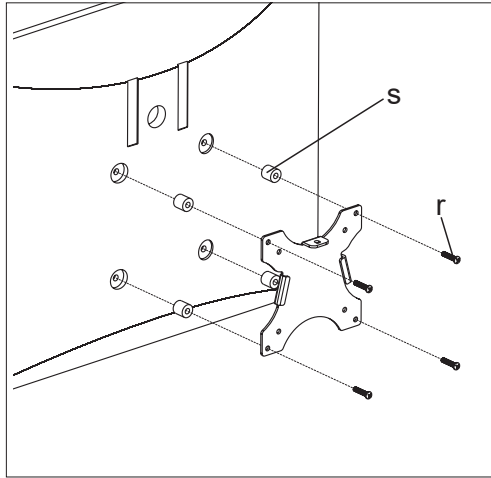
For monitor with flat back, attach VESA plate (**d**) to monitor using thumb screws (**q**).



STEP 3 (Continued)

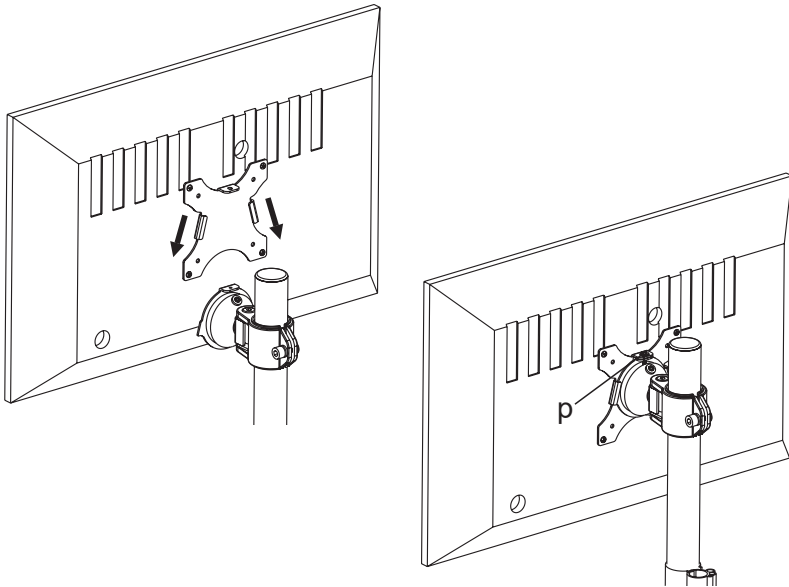
OPTION B: Curved Back Monitor

For monitor with curved back, attach VESA plate (d) to monitor using M4x30 bolts (r) with spacers (s).



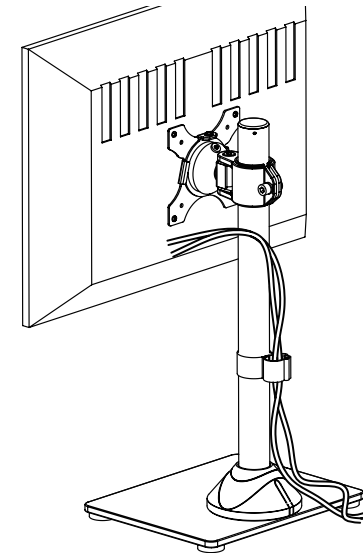
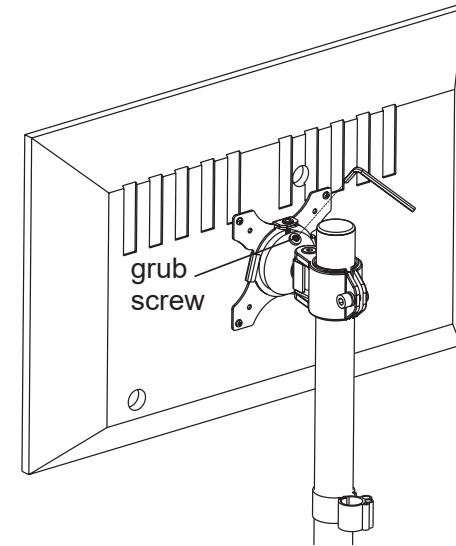
STEP 4

Slide the monitor onto the head of Monitor Arm (c) as shown in the diagram. Secure the VESA Plate (d) using M4x6 Bolt (p). Make sure the bolt is installed before you rotate the monitor.



STEP 5

Tighten the grub screw in the Monitor Arm (c) using the small Allen Key (u) to fix the tilting angle. Manage the cables and store tools using the Wire Clip (o).





Love your new VIVO setup and want to share?

Tag us in your photo! **@vivo_us**

Last Updated: 11/27/2018



If any parts are received damaged or defective, please contact us. We are happy to replace parts to ensure you have a fully functioning product.



help@vivo-us.com



www.vivo-us.com



1-800-371-5654

For more VIVO products, check out our website at:
www.vivo-us.com.