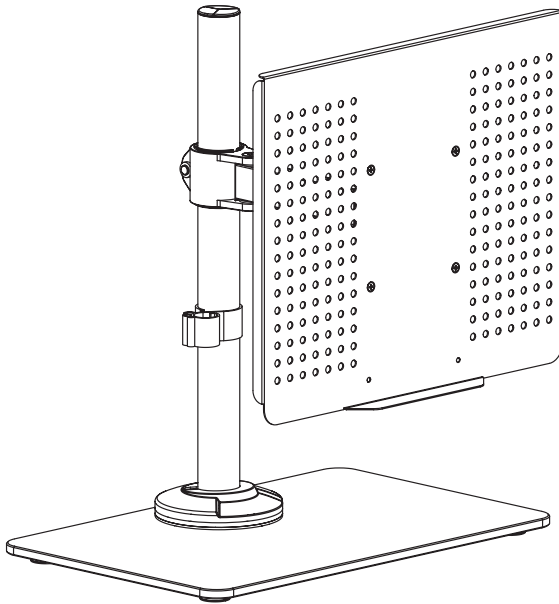




Laptop Desk Stand

Instruction Manual



SKU: STAND-V001FGL



Scan the QR code with your mobile device or follow the link for helpful videos and specifications related to this product.

<https://vivo-us.com/products/stand-v002fgl>

GET IN TOUCH | Monday-Friday from 7:00am-7:00pm CST



help@vivo-us.com



www.vivo-us.com
Chat live with an agent!



309-278-5303

⚠️ WARNING!

If you do not understand these directions, or if you have any doubts about the safety of the installation, please call a qualified technician. Check carefully to make sure there are no missing or defective parts. Improper installation may cause damage or serious injury. Do not use this product for any purpose that is not explicitly specified in this manual. Do not exceed weight capacity. We cannot be liable for damage or injury caused by improper mounting, incorrect assembly or inappropriate use.

⚠️ WARNING: CHOKING HAZARD

SMALL PARTS - NOT FOR CHILDREN UNDER 3 YEARS. ADULT SUPERVISION IS REQUIRED.

⚠️ TIPOVER WARNING

SERIOUS OR FATAL CRUSHING INJURIES CAN OCCUR FROM TIPOVER. TO HELP PREVENT TIPOVER:

- NEVER ALLOW CHILDREN TO CLIMB, STAND, HANG, OR PLAY ON ANY PART OF MONITOR OR STAND.
- USE TIPOVER RESTRAINT OR ANCHOR STAND TO WALL

USE OF TIPOVER RESTRAINTS MAY ONLY REDUCE, BUT NOT ELIMINATE RISK OF TIPOVER.

PACKAGE CONTENTS



A (x1)
Pole



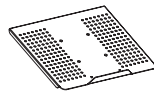
B (x1)
Glass Base



C (x1)
Arm



D (x1)
VESA Plate



E (x1)
Laptop Tray



F (x1)
Foam Pad



G (x1)
Weighted
Plate



H (x1)
Plastic
Spacer



I (x1)
Mounting
Plate



J (x1)
Cover



K (x4)
Foot



L (x1)
Pole Cap



M (x1)
Cable Clip



N (x1)
Pole Cable
Clip



O (x4)
Felt Pad



S-A (x4)
M4x8mm
Screw



S-B (x4)
M4 Nut



S-C (x4)
M6x20mm
Screw



S-D (x3)
M6x16mm
Screw



S-E (x1)
M6 Security
Nut



M-A (x4)
M4x12mm
Screw



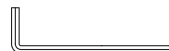
M-B (x4)
M4x30mm
Screw



M-C (x4)
Spacer



T-A (x1)
4mm Allen
Wrench



T-B (x1)
5mm Allen
Wrench



T-C (x1)
Wrench

NOTE: SOME HARDWARE INCLUDED MAY NOT BE USED

TOOLS NEEDED



DO NOT EXCEED WEIGHT CAPACITY.

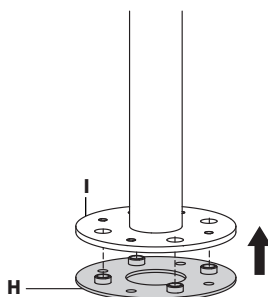
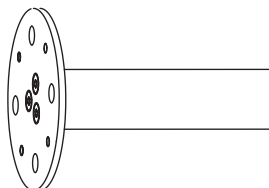
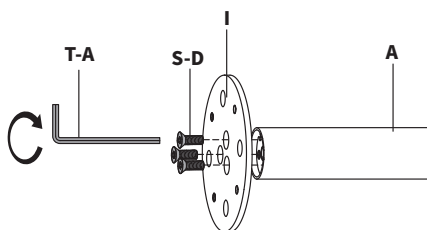
Failure to do so may result in serious injury.

22lbs
(10kg)

ASSEMBLY STEPS

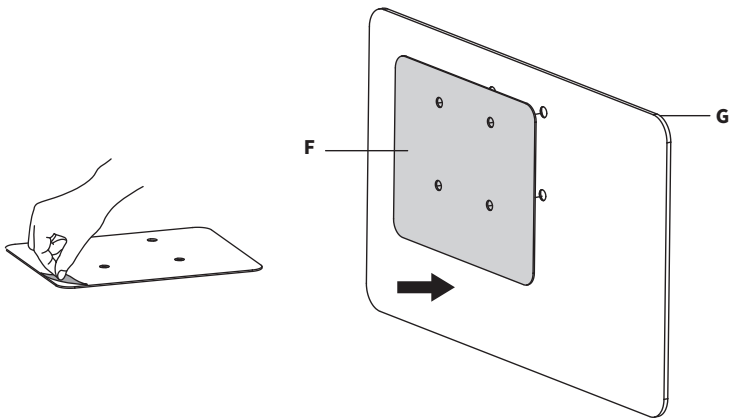
STEP 1

Attach Mounting Plate **(I)** to Pole **(A)** using M6x16mm Screws **(S-D)** and 4mm Allen Wrench **(T-A)**.
Connect Plastic Spacer **(H)** to the bottom of Mounting Plate **(I)**.

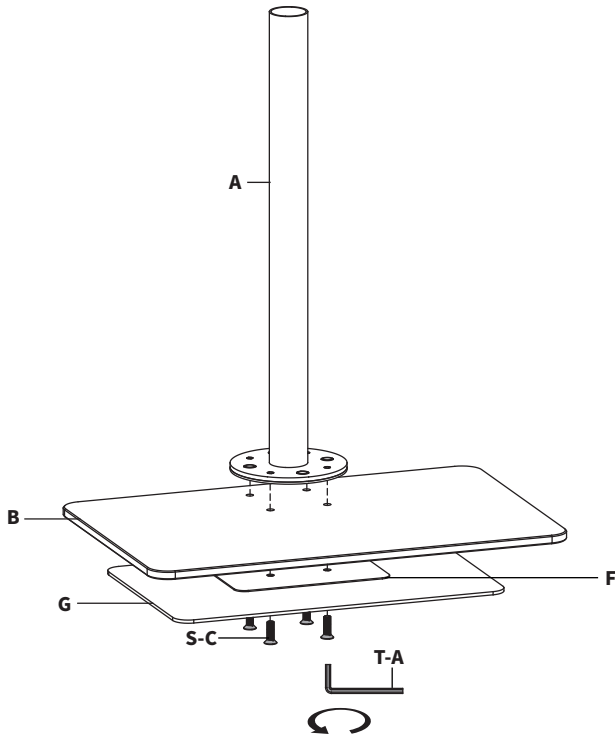


STEP 2

Remove protective film from Foam Pad (F). Apply to Weighted Plate (G) on the side without the tapered holes. Ensure the holes on Foam Pad are properly aligned with the Weight Plate before applying.

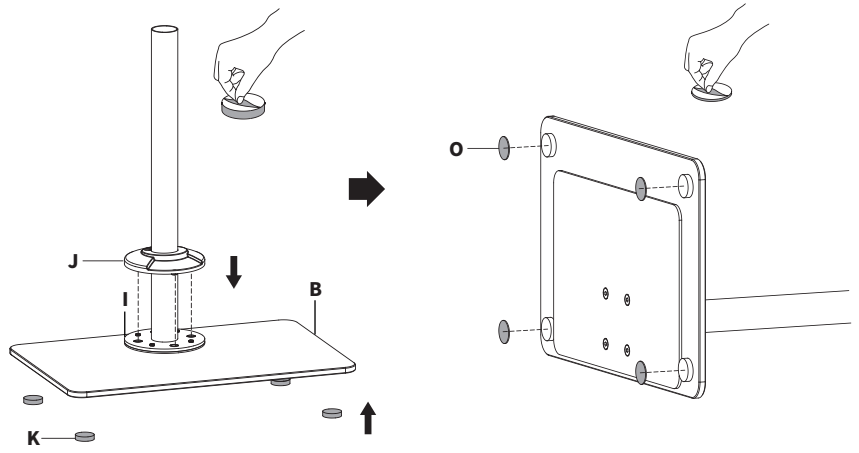


Assemble Pole (A), Glass Base (B), and Weighted Plate (G) using M6x20mm Screws (S-C) and 4mm Allen Wrench (T-A). Ensure Foam Pad (F) is between the Weighted Plate and Glass Base.



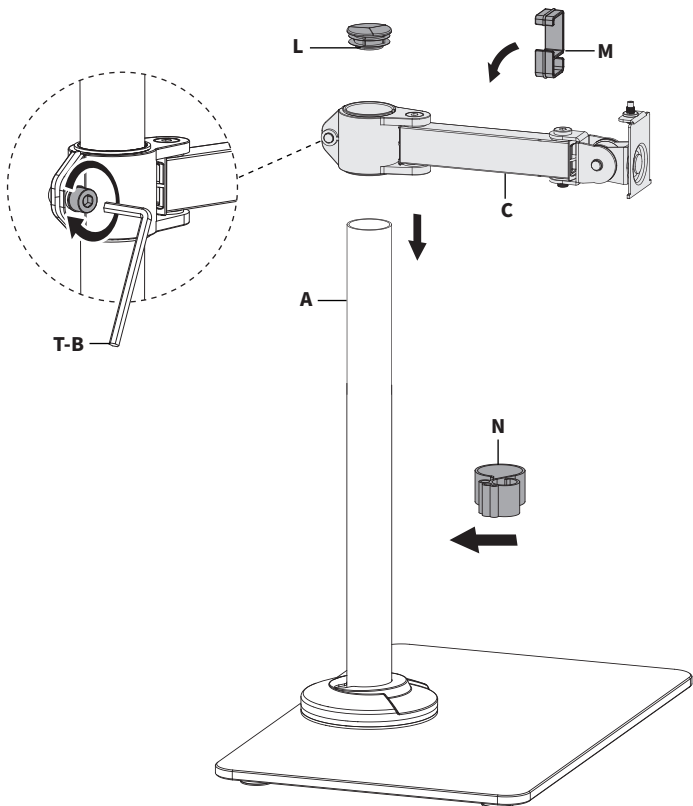
STEP 3

Slide Cover (J) onto Mounting Plate (I) making sure the posts on Cover are aligned with the holes on Plate. Remove the protective film from Feet (K) and apply to Glass Base (B). Remove the protective film from Felt Pads (O) and apply to Feet (K).



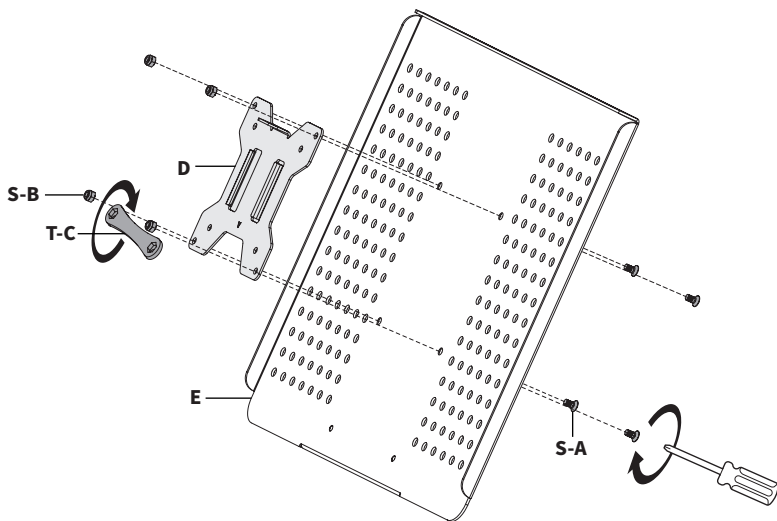
STEP 4

Slide Arm (C) onto Pole (A) and tighten Arm (C) using 5mm Allen Wrench (T-B). Press Pole Cap (L) on top of Pole (A), and Cable Clip (M) to Arm (C) and Pole Cable Clip (N) to Pole (A).



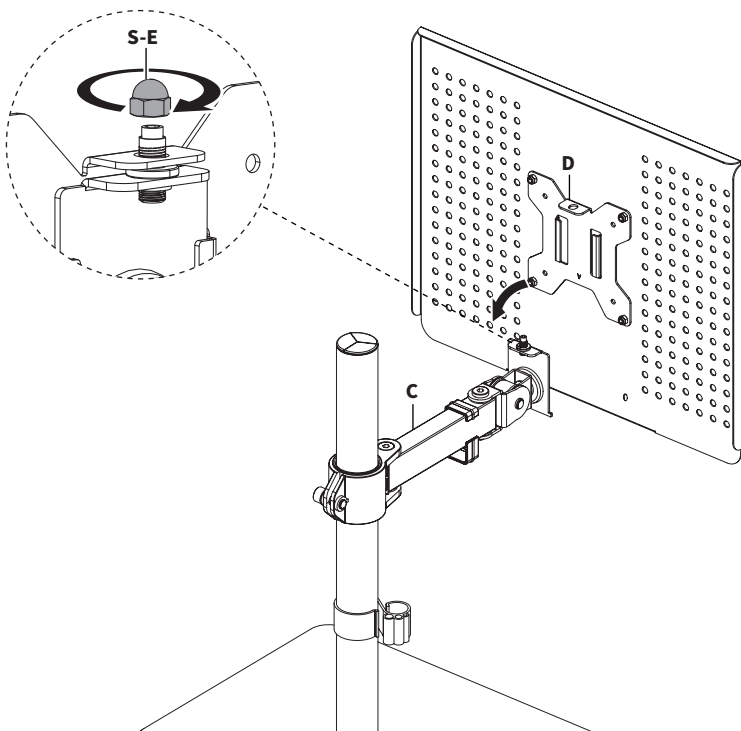
STEP 5

Attach Laptop Tray (**E**) to VESA Plate (**D**) using M4x8mm Screws (**S-A**), M4 Nuts (**S-B**), Wrench (**T-C**), and a Phillips screwdriver.



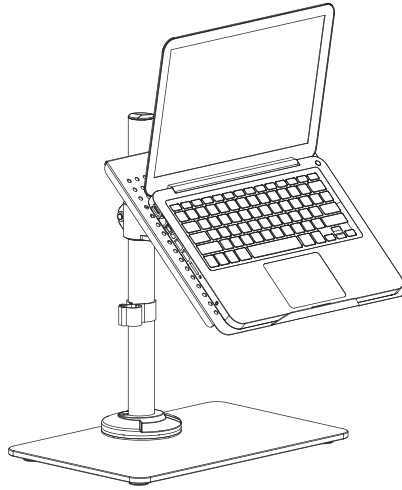
STEP 6

Slide VESA Plate (**D**) onto Arm (**C**) and secure using M6 Security Nut (**S-E**).



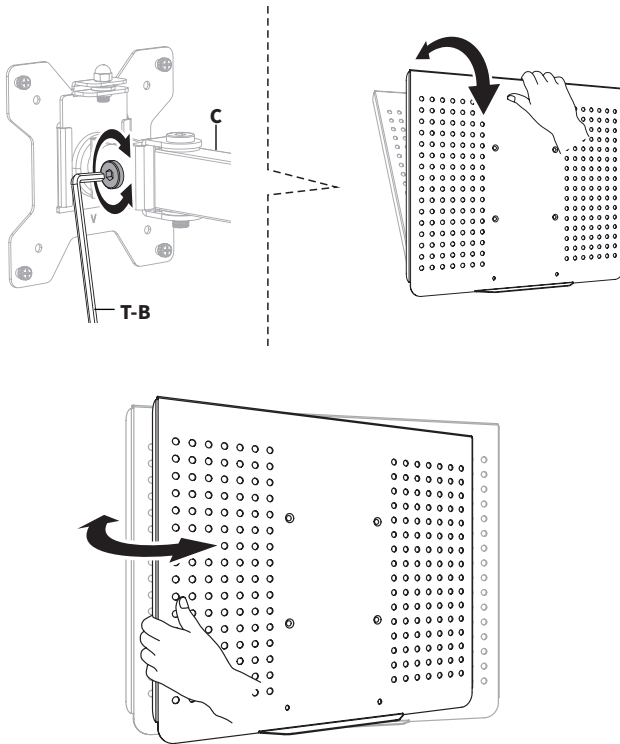
ASSEMBLY COMPLETE

Assembly is now complete. Place laptop on tray.



ADJUST AS DESIRED

Adjust the tilt joint on Arm (C) using 5mm Allen Wrench (T-B).





Love your new VIVO setup and want to share?
Tag us in your photo! **@vivo_us**

LAST UPDATED: 11/29/2023
REV1



Open **Monday - Friday 7:00am - 7:00pm** CST,
our dedicated support team can offer immediate assistance with rapid response times. If any parts are received damaged or defective, please contact us. We are happy to replace parts to ensure you have a fully functioning product.



309-278-5303

AVG. RESOLUTION TIME (*within office hrs*): **5M 4S**



www.vivo-us.com
Chat live with an agent!

AVG. RESOLUTION TIME (*within office hrs*): **< 15 M**



help@vivo-us.com

AVG. RESPONSE TIME (*within office hrs*): **1HR 8M**

- 23% within < 15m
- 38% within < 30m
- 61% within < 1hr
- 83% within < 2hr
- 92% within < 3hr