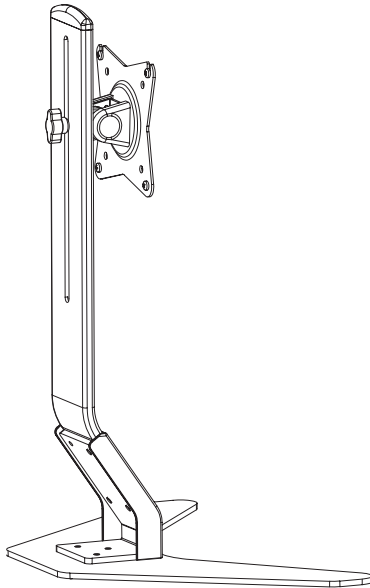




---

## Single Monitor Desk Mount

### Instruction Manual



**SKU: STAND-V001D**



Scan the QR code with your mobile device or follow the link for helpful videos and specifications related to this product.

<https://vivo-us.com/products/stand-v001d>



help@vivo-us.com



www.vivo-us.com



1-800-371-5654

**⚠ WARNING!**

If you do not understand these directions, or if you have any doubts about the safety of the installation, please call a qualified technician. Check carefully to make sure there are no missing or defective parts. Improper installation may cause damage or serious injury. Do not use this product for any purpose that is not explicitly specified in this manual. Do not exceed weight capacity. We cannot be liable for damage or injury caused by improper mounting, incorrect assembly or inappropriate use.

**⚠ TIPOVER WARNING**

SERIOUS OR FATAL CRUSHING INJURIES CAN OCCUR FROM TIPOVER. TO HELP PREVENT TIPOVER:




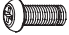
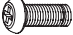
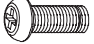

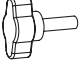






- NEVER ALLOW CHILDREN TO CLIMB, STAND, HANG, OR PLAY ON ANY PART OF MONITOR OR STAND.
- USE TIPOVER RESTRAINT OR ANCHOR STAND TO WALL

**USE OF TIPOVER RESTRAINTS MAY ONLY REDUCE, BUT NOT ELIMINATE RISK OF TIPOVER.**

**⚠ WARNING: CHOKING HAZARD**

SMALL PARTS - NOT FOR CHILDREN UNDER 3 YEARS. ADULT SUPERVISION IS REQUIRED.

**PACKAGE CONTENTS**

				
<b>A (x1)</b> Column	<b>B (x1)</b> VESA Plate	<b>C (x1)</b> Base	<b>D (x4)</b> M4x8	<b>E (x4)</b> M4x12
				
<b>F (x4)</b> M4x30	<b>G (x4)</b> Spacer	<b>H (x1)</b> Knob	<b>I (x1)</b> Washer	<b>J (x3)</b> M6x10
				
<b>K (x1)</b> 4mm Allen Wrench	<b>L (x1)</b> 5mm Allen Wrench	<b>M (x4)</b> Rubber Pad	<b>N (x1)</b> Washer	

**NOTE:** NOT ALL HARDWARE INCLUDED WILL BE USED

**TOOLS NEEDED**



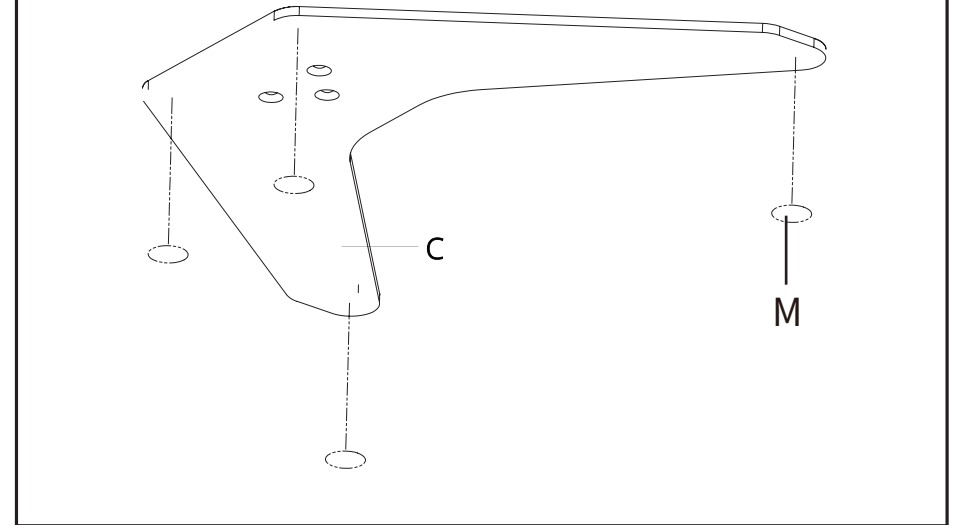
**DO NOT EXCEED WEIGHT CAPACITY.**  
Failure to do so may result in serious injury.



**ASSEMBLY STEPS**

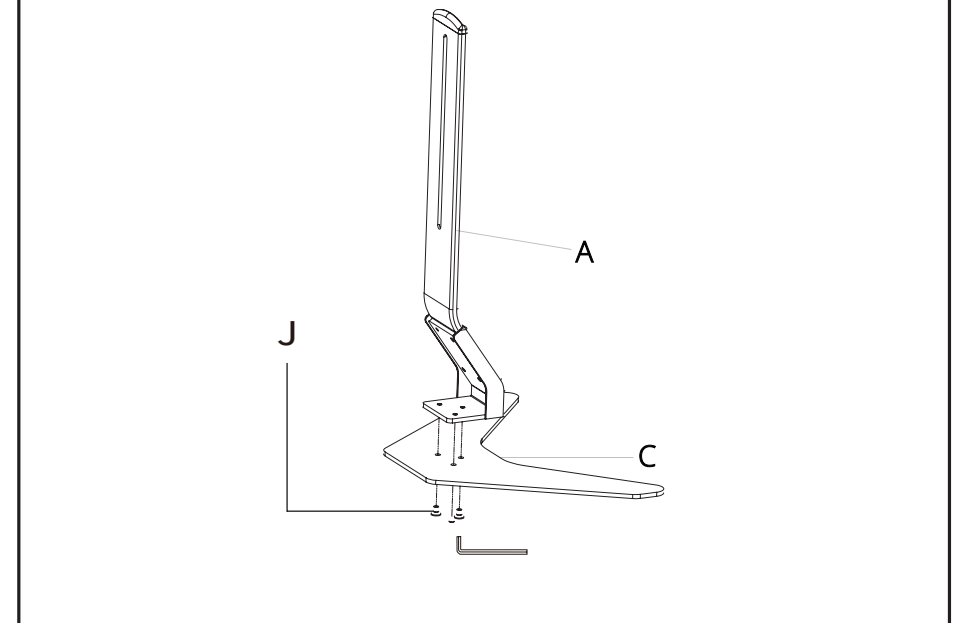
**STEP 1**

Apply pads (**M**) to underside of base (**C**).



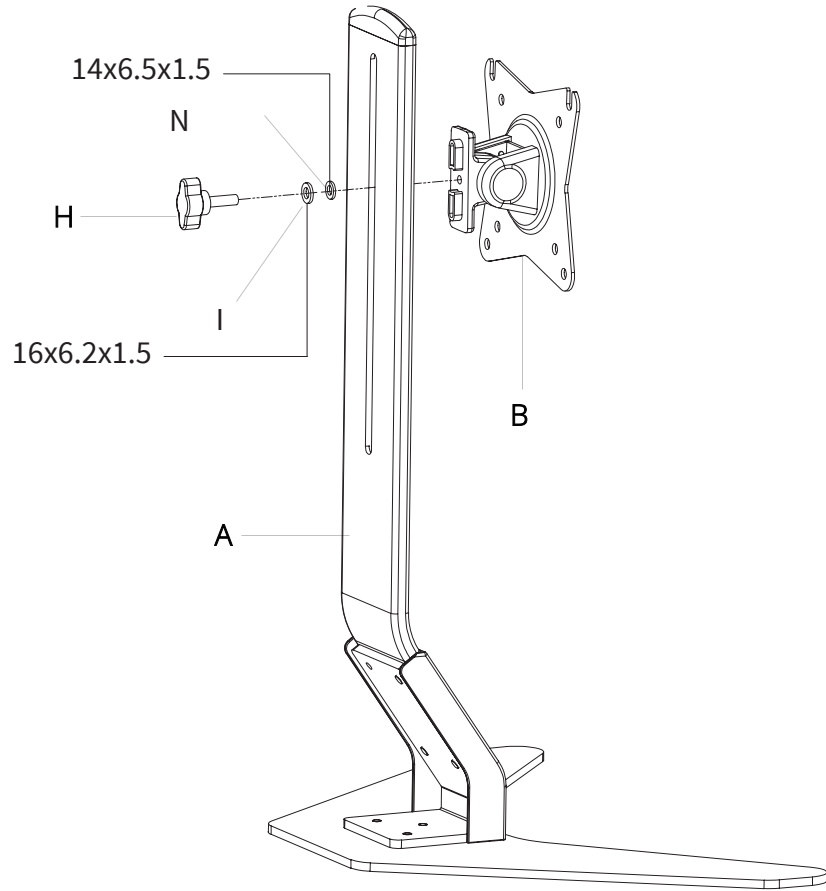
**STEP 2**

Mount column (**A**) to base (**C**) using M6x10 bolts (**J**) and tighten with Allen wrench (**K**).



### STEP 3

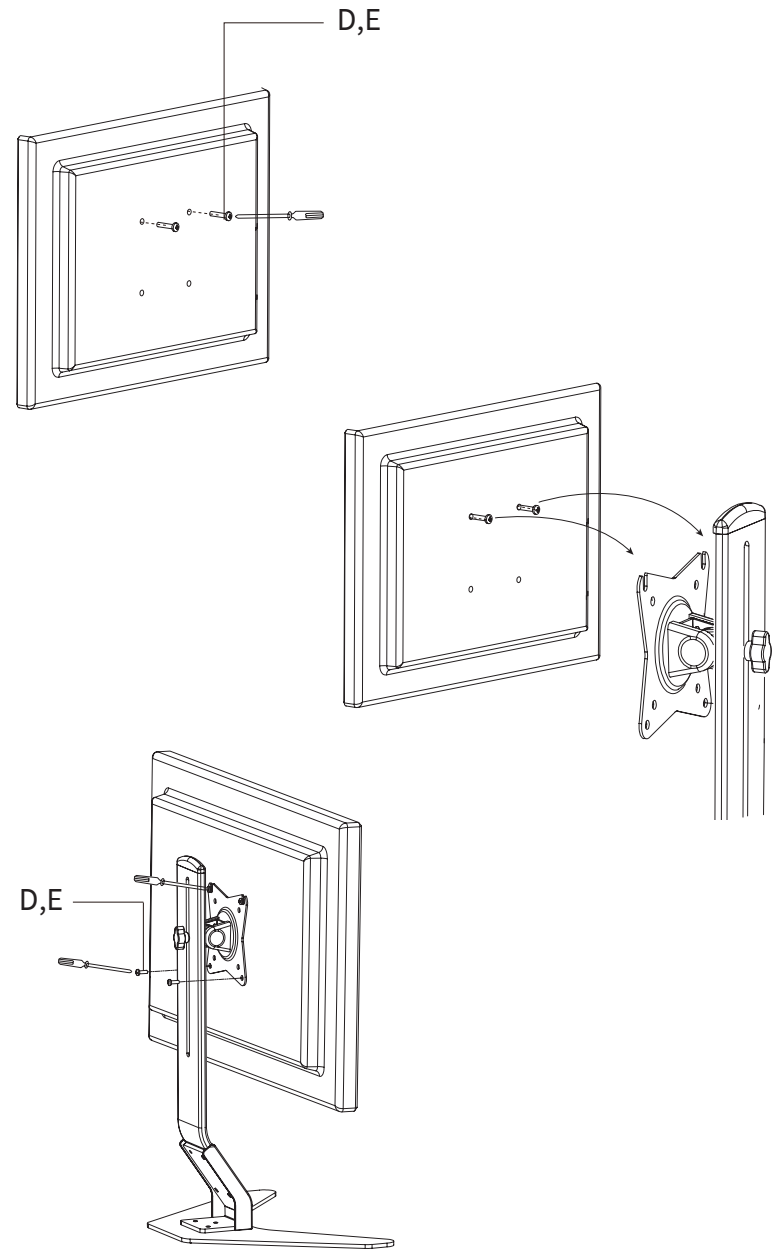
Attach VESA plate (B) to column (A) using knob (H), washer (I), and washer (N).



### STEP 4

#### OPTION A: Flat Back Monitor

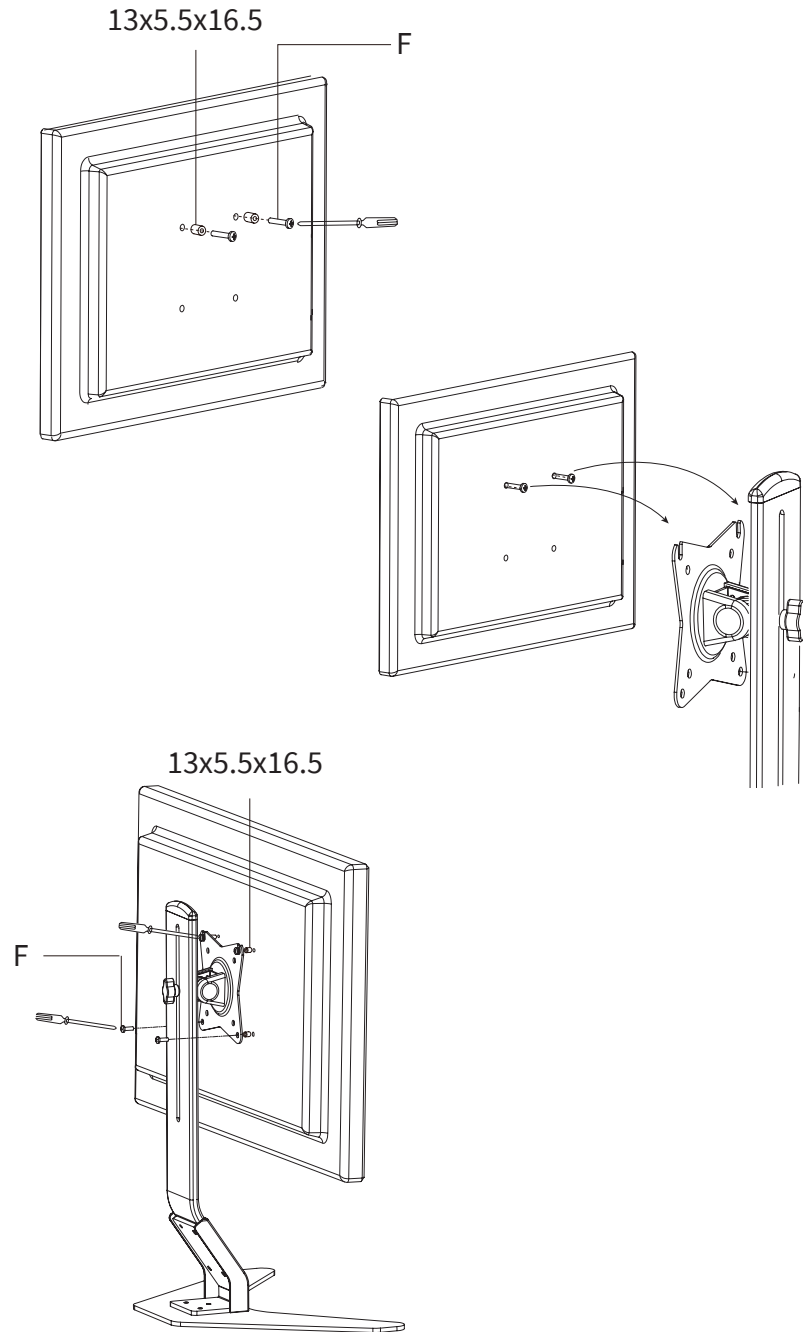
Insert M4x8 or M4x12 screws (D, E) into top two holes of monitor, leaving 3mm of thread exposed. Hang monitor over slots in VESA mount, insert M4x8 or M4x12 screws into bottom two holes, then tighten.



## STEP 4 (continued)

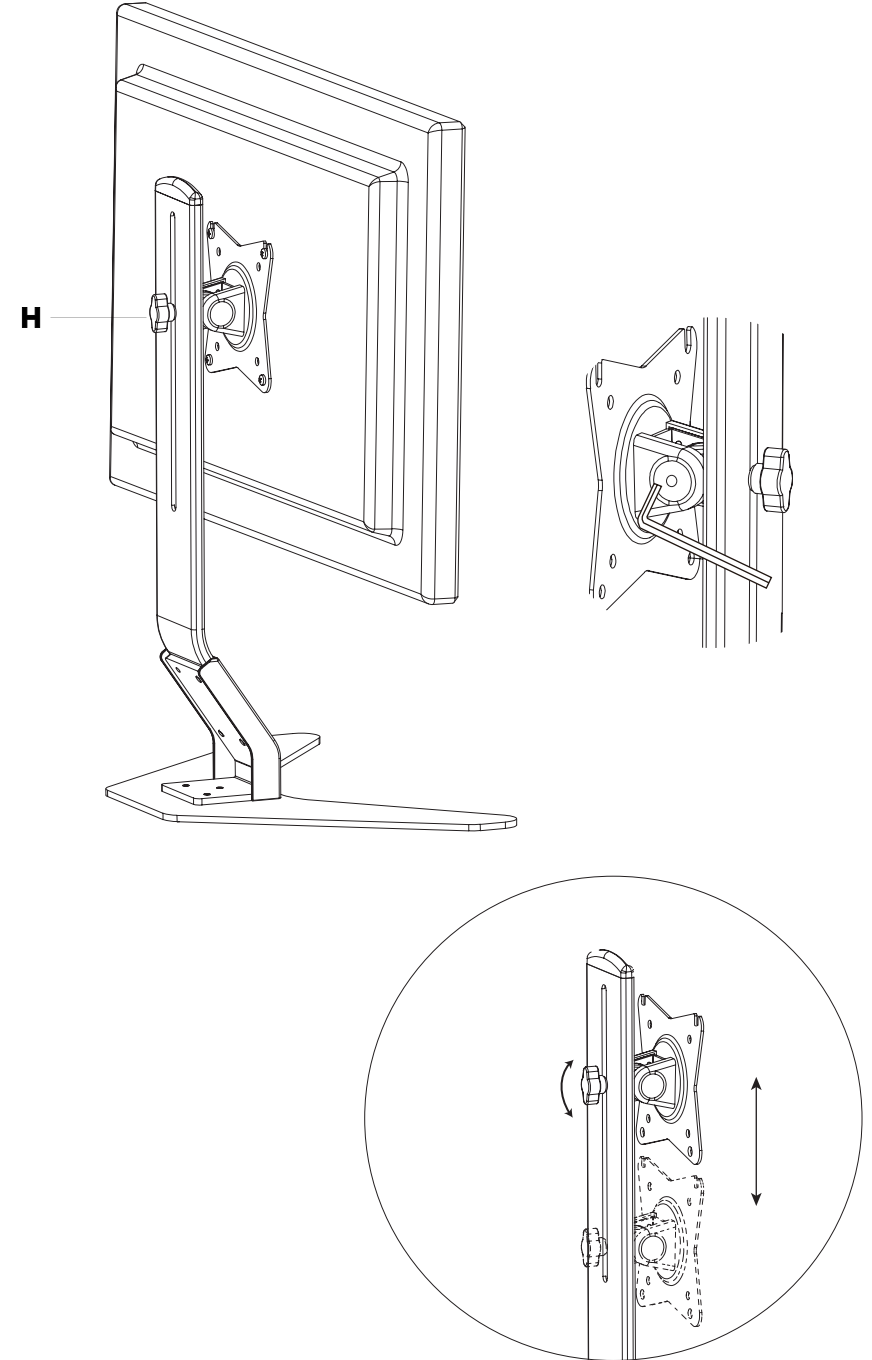
### OPTION B: Curved Back Monitor

Insert M4x30 screws (F) with spacers (G) into top two holes of monitor, leaving 3mm of thread exposed. Hang monitor over slots in VESA mount, insert M4x30 screws with spacers into bottom two holes, then tighten.



## STEP 5

Adjust monitor height by loosening the knob (H), then tighten at desired height (NOTE: hold monitor when adjusting height). Adjust tilt joint using the 5mm Allen key (L).





Love your new VIVO setup and want to share?

Tag us in your photo! **@vivo\_us**

Last Updated: 11/26/2018



If any parts are received damaged or defective, please contact us. We are happy to replace parts to ensure you have a fully functioning product.



[help@vivo-us.com](mailto:help@vivo-us.com)



[www.vivo-us.com](http://www.vivo-us.com)



1-800-371-5654

For more VIVO products, check out our website at:  
[www.vivo-us.com](http://www.vivo-us.com).