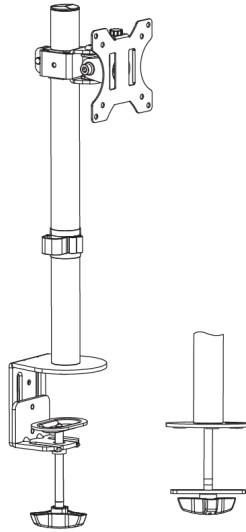




Single Monitor Desk Mount Instruction Manual



SKU: STAND-V001C/CW



Scan the QR code with your mobile device or follow the link for helpful videos and specifications related to this product.

<https://vivo-us.com/products/stand-v001c>

GET IN TOUCH | Monday-Friday from 7:00am-7:00pm CST



help@vivo-us.com



www.vivo-us.com
Chat live with an agent!



309-278-5303

WARNING!

If you do not understand these directions, or if you have any doubts about the safety of the installation, please call a qualified technician. Check carefully to make sure there are no missing or defective parts. Improper installation may cause damage or serious injury. Do not use this product for any purpose that is not explicitly specified in this manual. Do not exceed weight capacity. We cannot be liable for damage or injury caused by improper mounting, incorrect assembly or inappropriate use.

TIPOVER WARNING

SERIOUS OR FATAL CRUSHING INJURIES CAN OCCUR FROM TIPOVER. TO HELP PREVENT TIPOVER:

- NEVER ALLOW CHILDREN TO CLIMB, STAND, HANG, OR PLAY ON ANY PART OF MONITOR OR STAND.
- USE TIPOVER RESTRAINT OR ANCHOR STAND TO WALL

USE OF TIPOVER RESTRAINTS MAY ONLY REDUCE, BUT NOT ELIMINATE RISK OF TIPOVER.

WARNING: CHOKING HAZARD

SMALL PARTS - NOT FOR CHILDREN UNDER 3 YEARS. ADULT SUPERVISION IS REQUIRED.

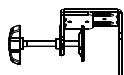
PACKAGE CONTENTS



A (x1)
VESA Plate



B (x1)
Bracket



C (x1)
Clamp



D (x1)
Pole



E (x1)
Pole Cap



F (x1)
Cable Clip



G (x1)
Grommet Base



H (x5)
Pad



I (x3)
Bolt



J (x1)
Grommet Plate



K (x1)
Thumbscrew



L (x1)
4mm Allen Wrench



M (x1)
6mm Allen Wrench



M-A (x4)
M4x12



M-B (x4)
M4x16



M-C (x4)
M5x12



M-D (x4)
M5x16



M-E (x4)
D5 Washer



M-F (x4)
Spacer

NOTE: SOME HARDWARE INCLUDED MAY NOT BE USED

TOOLS NEEDED



DO NOT EXCEED WEIGHT CAPACITY.

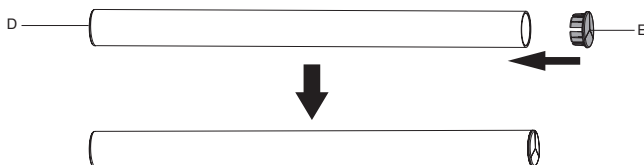
17.6lbs
(8kg)

Failure to do so may result in serious injury.

ASSEMBLY STEPS

STEP 1

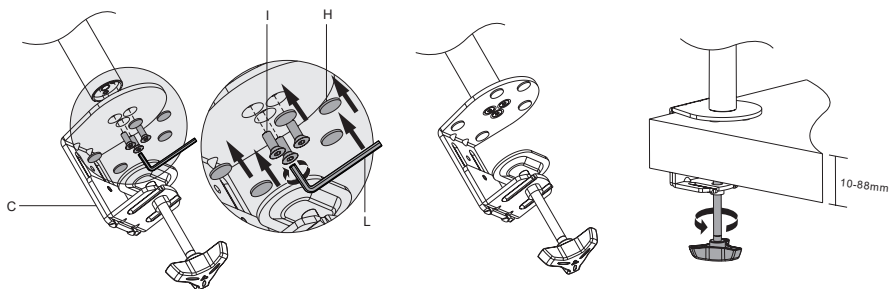
Attach pole cap (E) to top of pole (D).



STEP 2

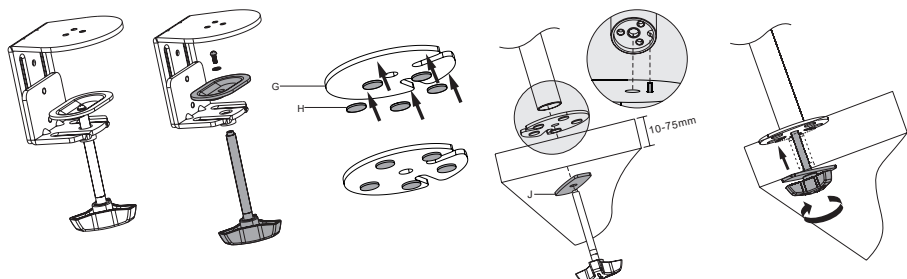
OPTION A: Desk Clamp Installation

Assemble pole (D) to clamp base (C) with bolts (I) using 4mm Allen key (L). Attach pads (H), and clamp to desktop.



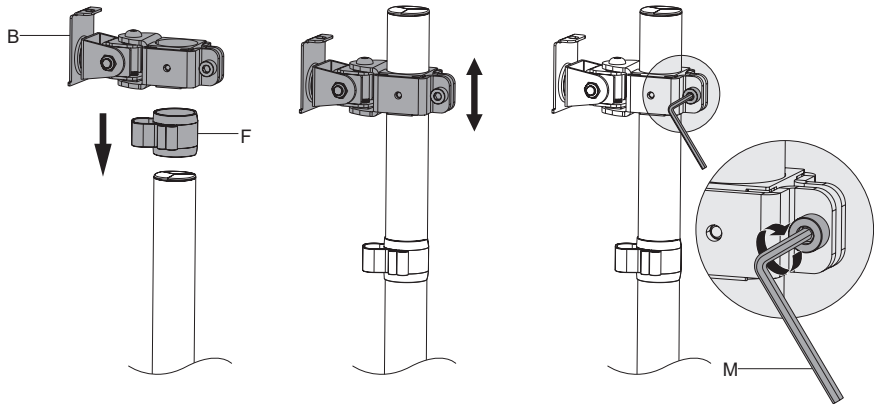
OPTION B: Grommet Base Installation

Remove screw from clamp bolt, and remove clamp bolt from clamp (C). Attach pads (H) to grommet base (G). Align pin on top of grommet base (G) with the small hole on the bottom of pole (D), position over hole in desktop, and attach to desktop using clamp bolt and grommet plate (J).



STEP 3

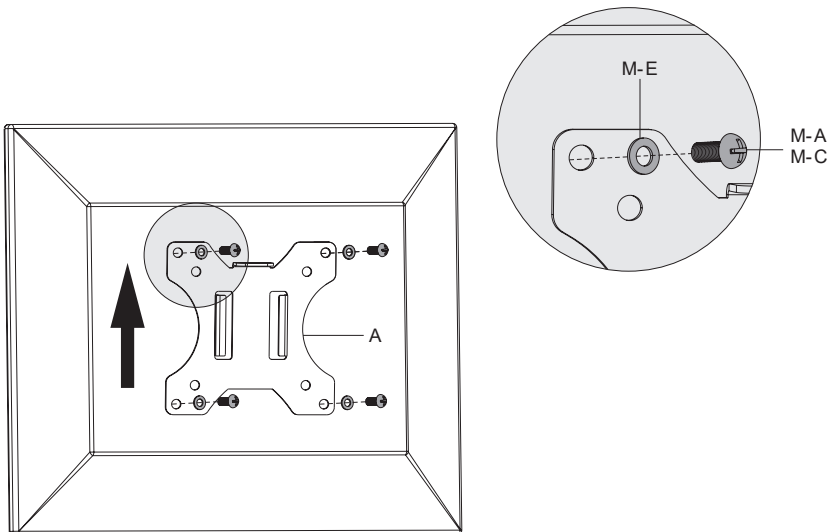
Attach bracket **(B)** and cable clip **(F)** to pole **(D)**. Fasten the bolt with the supplied 6mm Allen wrench **(M)**.



STEP 4

OPTION A: Flat Back Monitor

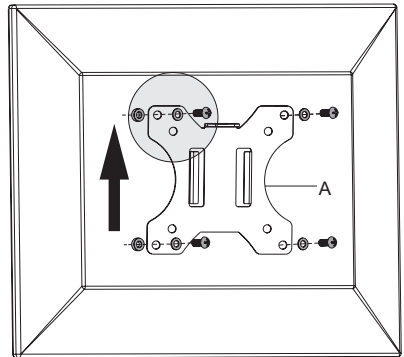
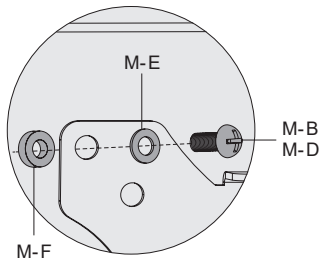
For flat back monitor, attach VESA plate **(A)** to monitor using bolts **(M-A)** or **(M-C)** and washers **(M-E)**.



STEP 4 (Continued)

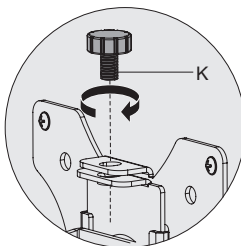
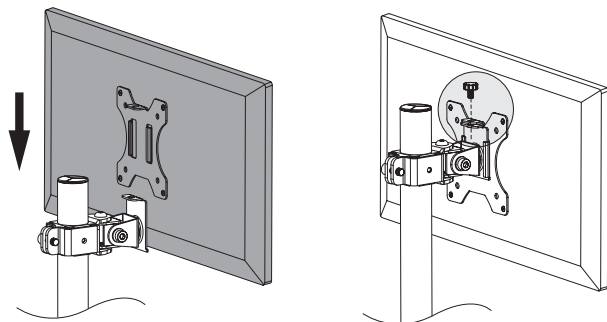
OPTION B: Curved Back Monitor

For curved back monitor, attach VESA plate (A) to monitor using bolts (M-B) or (M-D), washers (M-E), and spacers (M-F).



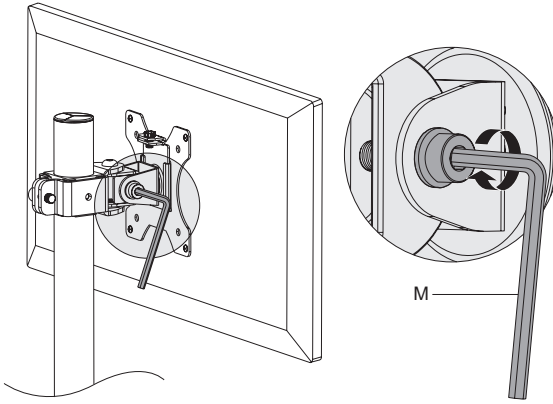
STEP 5

Slide the monitor onto the head of bracket (B). Attach thumb screw (K). Make sure the screw is attached before you rotate the monitor.



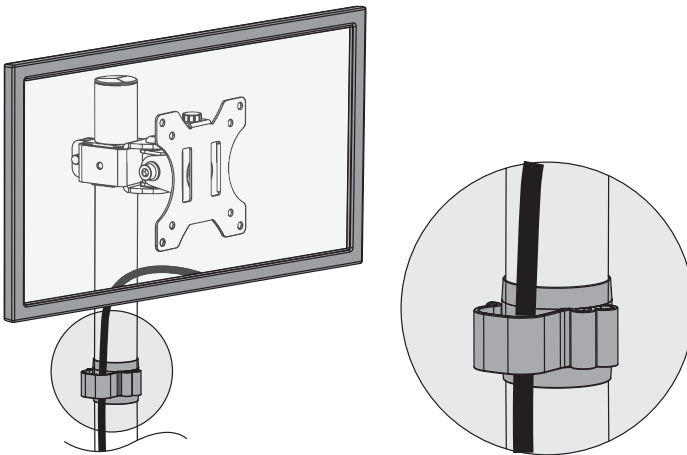
STEP 6

If needed, adjust the bolt on the side of the hinge behind the VESA plate to tighten or loosen the tilt angle using the 6mm Allen wrench (**M**).



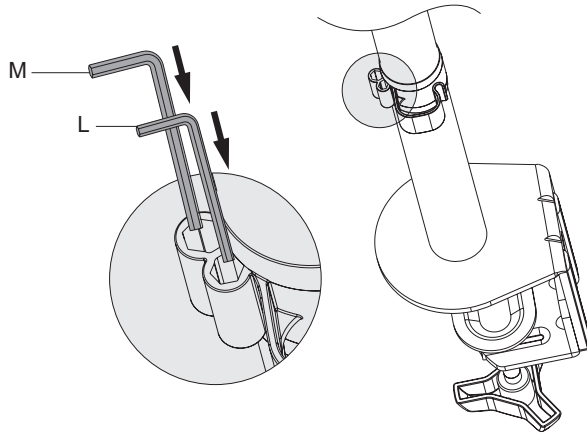
STEP 7

Manage the cables using the attached cable clips.

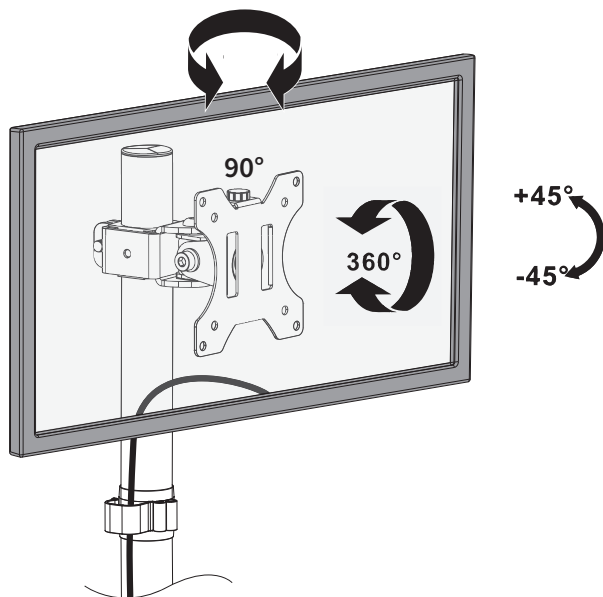


STEP 8

Store the Allen wrenches in cable clip (F) for future use.



Adjust as Desired





Open **Monday - Friday 7:00am - 7:00pm** CST,
our dedicated support team can offer immediate assistance with rapid response times. If any parts are received damaged or defective, please contact us. We are happy to replace parts to ensure you have a fully functioning product.



309-278-5303

AVG. RESOLUTION TIME (*within office hrs*): **5M 4S**



www.vivo-us.com
Chat live with an agent!

AVG. RESOLUTION TIME (*within office hrs*): **< 15 M**



help@vivo-us.com

AVG. RESPONSE TIME (*within office hrs*): **1HR 8M**

- 23% within < 15m
- 38% within < 30m
- 61% within < 1hr
- 83% within < 2hr
- 92% within < 3hr