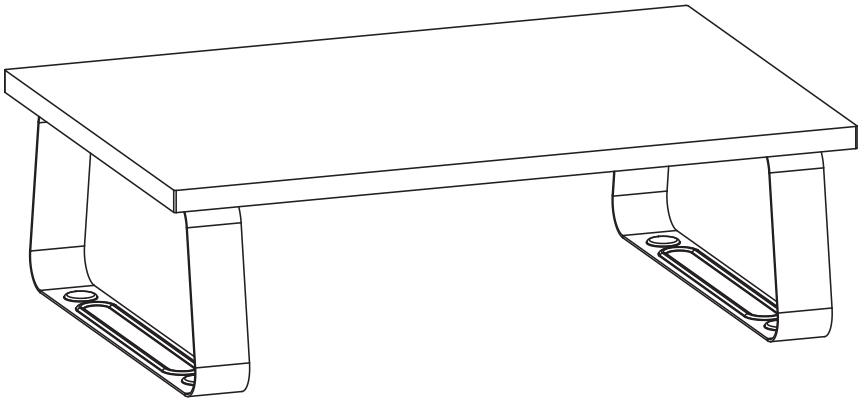


---

## Monitor Riser

Instruction Manual



**SKU: STAND-V000DS/DS-W/WS**



Scan the QR code with your mobile device or follow the link for helpful videos and specifications related to this product.

<https://vivo-us.com/products/stand-v000ds>

---

**GET IN TOUCH** | Monday-Friday from 7:00am-7:00pm CST



help@vivo-us.com



www.vivo-us.com  
*Chat live with an agent!*



309-278-5303

**! WARNING!**

If you do not understand these directions, or if you have any doubts about the safety of the installation, please contact our product support team at 309-278-5303 or help@vivo-us.com for further assistance. Check carefully to make sure there are no missing or defective parts. Improper installation may cause damage or serious injury. Do not use this product for any purpose that is not explicitly specified in this manual. Do not exceed weight capacity. We cannot be liable for damage or injury caused by improper mounting, incorrect assembly or inappropriate use.

**! WARNING: CHOKING HAZARD**

SMALL PARTS - NOT FOR CHILDREN UNDER 3 YEARS. ADULT SUPERVISION IS REQUIRED.

**PACKAGE CONTENTS**



**A (x1)**  
Top



**B (x2)**  
Leg



**C (x4)**  
Rubber Feet



**S-A (x4)**  
M6x10mm  
Screws



**T-A (x1)**  
4mm Allen  
Wrench

**DO NOT EXCEED WEIGHT CAPACITY.**

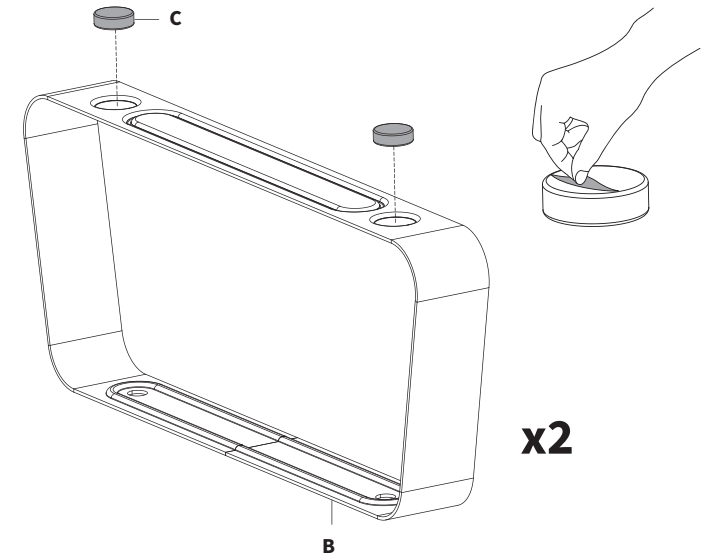
Failure to do so may result in serious injury.



**ASSEMBLY STEPS**

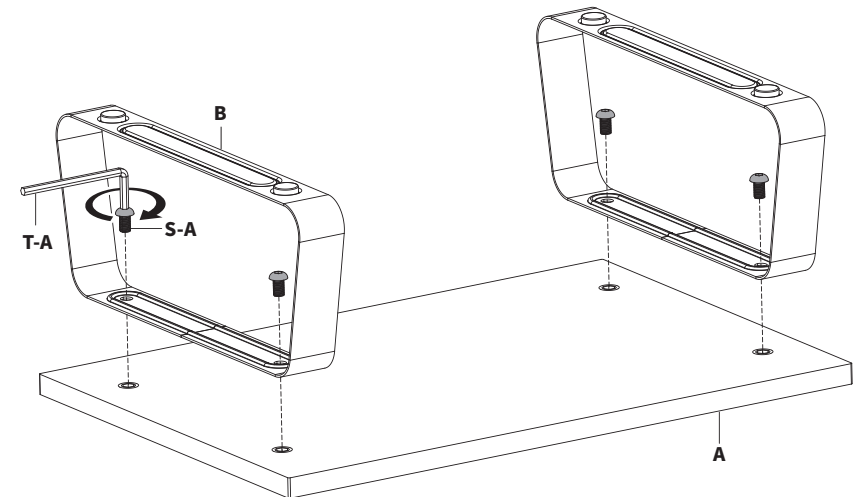
**STEP 1**

Remove backing from Rubber Feet (**C**) and place on underside of Legs (**B**).



**STEP 2**

Secure Legs (**B**) to underside of Top (**A**) using M6x10mm Screws (**S-A**) and 4mm Allen Wrench (**T-A**).





Open **Monday - Friday 7:00am - 7:00pm** CST,  
our dedicated support team can offer immediate assistance with rapid response times. If any parts are received damaged or defective, please contact us. We are happy to replace parts to ensure you have a fully functioning product.



309-278-5303

**AVG. RESOLUTION TIME** (*within office hrs*): **5M 4S**



[www.vivo-us.com](http://www.vivo-us.com)  
*Chat live with an agent!*

**AVG. RESOLUTION TIME** (*within office hrs*): **< 15 M**



[help@vivo-us.com](mailto:help@vivo-us.com)

**AVG. RESPONSE TIME** (*within office hrs*): **1HR 8M**

- 23% within < 15m
- 38% within < 30m
- 61% within < 1hr
- 83% within < 2hr
- 92% within < 3hr