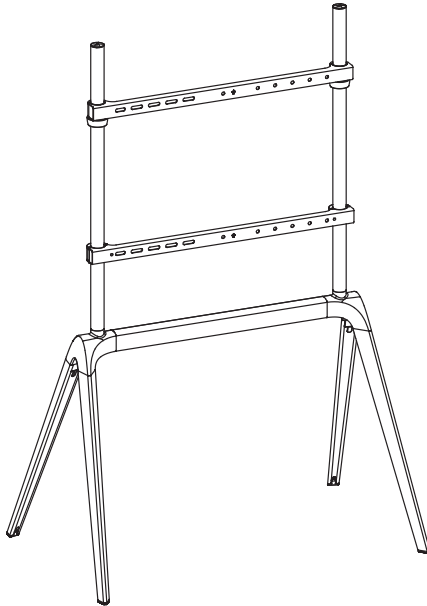


Black Steel Easel Studio TV Stand

Instruction Manual



SKU: STAND-TV86B



Scan the QR code with your mobile device or follow the link for helpful videos and specifications related to this product.

<https://vivo-us.com/products/stand-tv86b>

GET IN TOUCH | Monday-Friday from 7:00am-7:00pm CST



help@vivo-us.com



www.vivo-us.com
Chat live with an agent!



309-278-5303

WARNING!

If you do not understand these directions, or if you have any doubts about the safety of the installation, please call a qualified technician. Check carefully to make sure there are no missing or defective parts. Improper installation may cause damage or serious injury. Do not use this product for any purpose that is not explicitly specified in this manual. Do not exceed weight capacity. We cannot be liable for damage or injury caused by improper mounting, incorrect assembly or inappropriate use.

TIPOVER WARNING

- SERIOUS OR FATAL CRUSHING INJURIES CAN OCCUR FROM TIPOVER. TO HELP PREVENT TIPOVER:
 - NEVER ALLOW CHILDREN TO CLIMB, STAND, HANG, OR PLAY ON ANY PART OF TV OR TV STAND.
 - USE TIPOVER RESTRAINT OR ANCHOR STAND TO WALL
- **USE OF TIPOVER RESTRAINTS MAY ONLY REDUCE, BUT NOT ELIMINATE RISK OF TIPOVER.**

CAUTION!

DO NOT INSTALL INTO DRYWALL ALONE. VERIFY YOUR WALL CONSTRUCTION. USE WOOD STUDS TO MOUNT. We include mounting hardware for brick and concrete walls. If unsure, please contact us at vivo-us.com, email at help@vivo-us.com, or call us at 309-278-5303.

PACKAGE CONTENTS



A (x1)
Base



B (x4)
Leg



C (x2)
Pole



D (x1)
Upper VESA Bracket



E (x1)
Lower VESA Bracket



F (x1)
Security Cable



G (x2)
Security Clip



H (x2)
Security Cable Clamp



S-A (x4)
M6x30mm Screw



M-A (x4)
M6x14mm Screw



M-B (x4)
M8x16mm Screw



M-C (x4)
M6x30mm Screw



M-D (x4)
M8x35mm SCrew



M-E (x4)
M8x35mm SCrew



M-F (x4)
5mm Spacer



M-H (x4)
15mm Spacer



W-A (x4)
ST4.8x38 Screw



W-B (x4)
Concrete Anchor



T-A (x1)
4mm Allen Wrench



T-B (x1)
5mm Allen Wrench



T-C (x1)
2mm Allen Wrench

TOOLS NEEDED

NOTE: SOME HARDWARE INCLUDED MAY NOT BE USED



**Phillips
Screwdriver**



Drill



Tape Measure



Level



Pencil

WARNING: CHOKING HAZARD

SMALL PARTS - NOT FOR CHILDREN UNDER 3 YEARS. ADULT SUPERVISION IS REQUIRED.

DO NOT EXCEED WEIGHT CAPACITY.

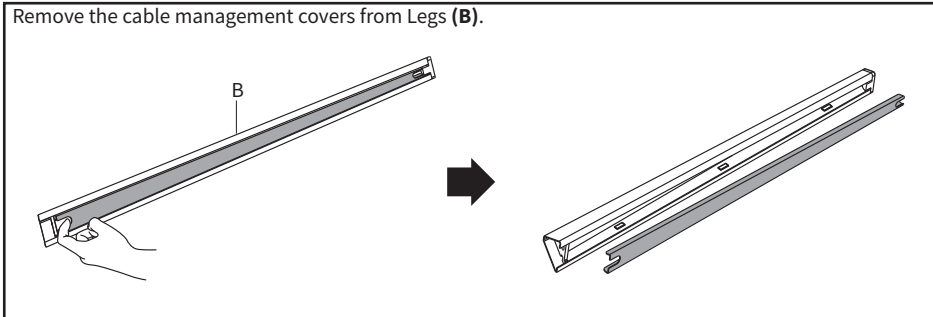
Failure to do so may result in serious injury.

132lbs
(60kg)

ASSEMBLY STEPS

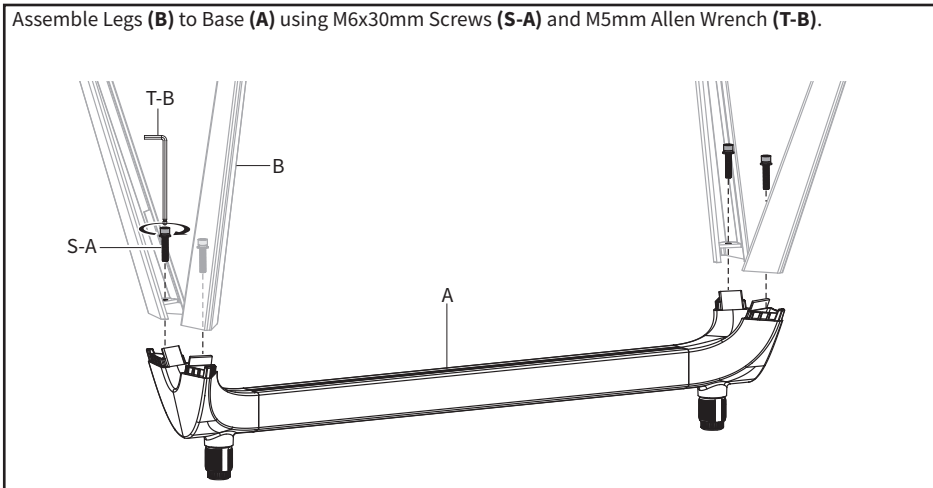
STEP 1

Remove the cable management covers from Legs (B).



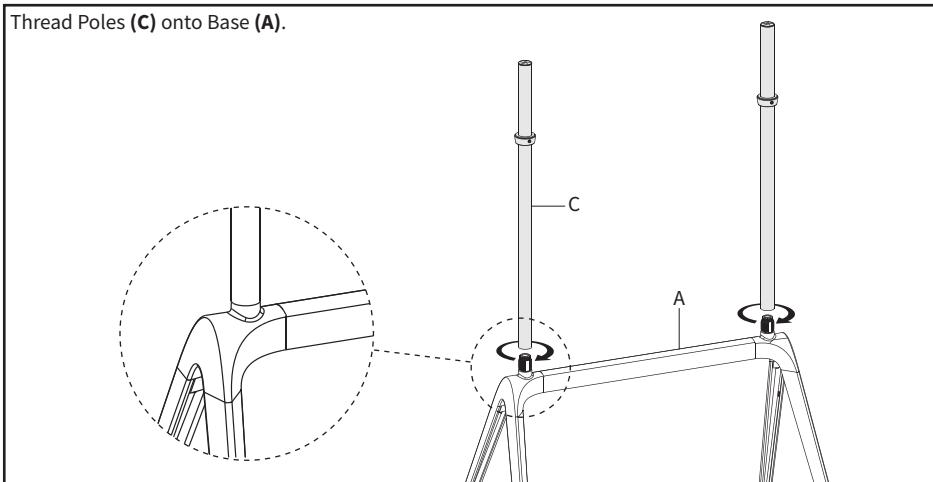
STEP 2

Assemble Legs (B) to Base (A) using M6x30mm Screws (S-A) and M5mm Allen Wrench (T-B).



STEP 3

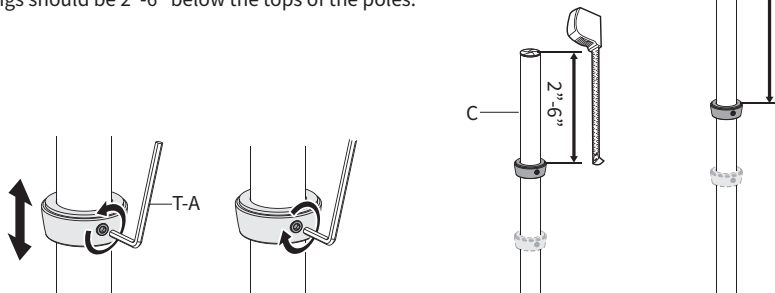
Thread Poles (C) onto Base (A).



STEP 4

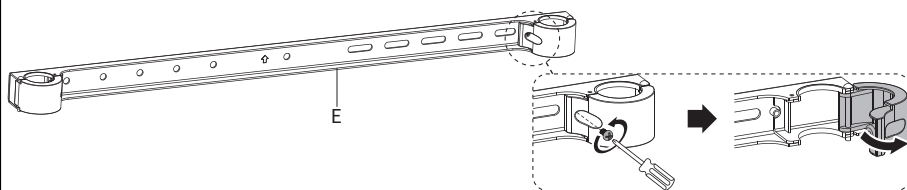
Loosen the collars on Poles (C) using 4mm Allen Wrench (T-A). Adjust collars to hold TV at desired height, using a tape measure to ensure the rings are adjusted evenly, and tighten with 4mm Allen Wrench (T-A).

NOTE: Rings should be 2"-6" below the tops of the poles.



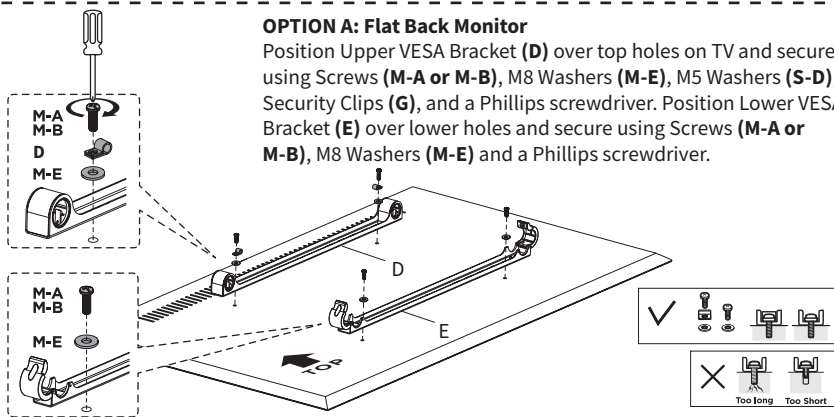
STEP 5

Remove the screws from Lower VESA Bracket (E) and open the clamps.



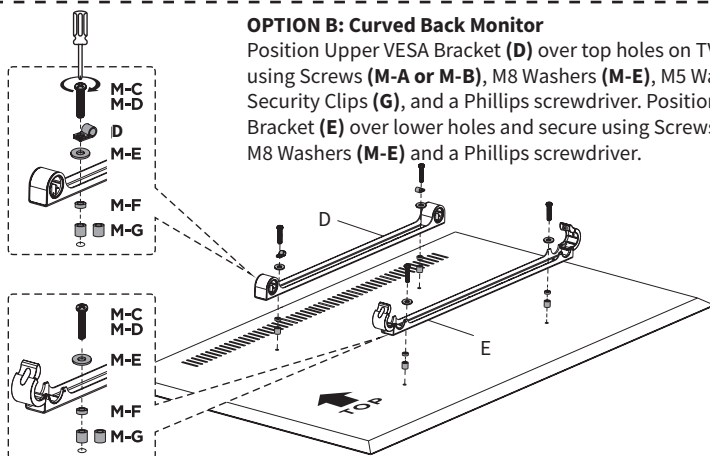
OPTION A: Flat Back Monitor

Position Upper VESA Bracket (D) over top holes on TV and secure using Screws (M-A or M-B), M8 Washers (M-E), M5 Washers (S-D), Security Clips (G), and a Phillips screwdriver. Position Lower VESA Bracket (E) over lower holes and secure using Screws (M-A or M-B), M8 Washers (M-E) and a Phillips screwdriver.



OPTION B: Curved Back Monitor

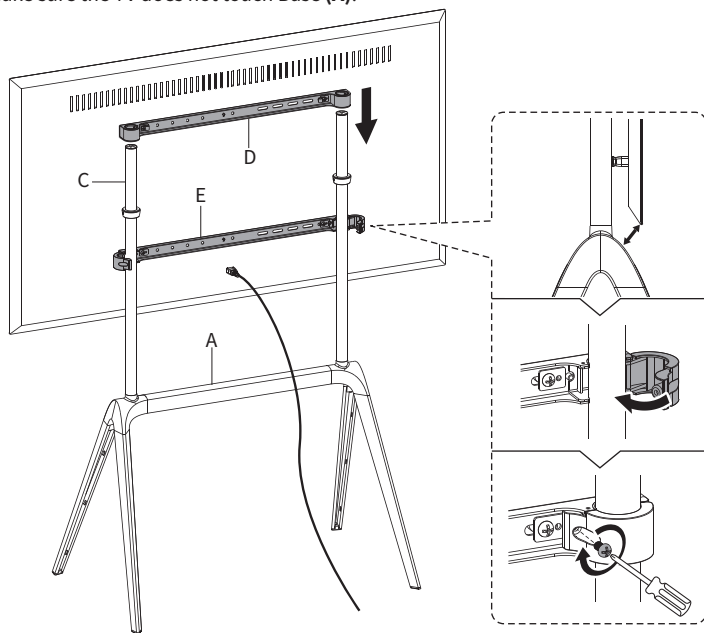
Position Upper VESA Bracket (D) over top holes on TV and secure using Screws (M-A or M-B), M8 Washers (M-E), M5 Washers (S-D), Security Clips (G), and a Phillips screwdriver. Position Lower VESA Bracket (E) over lower holes and secure using Screws (M-A or M-B), M8 Washers (M-E) and a Phillips screwdriver.



STEP 6

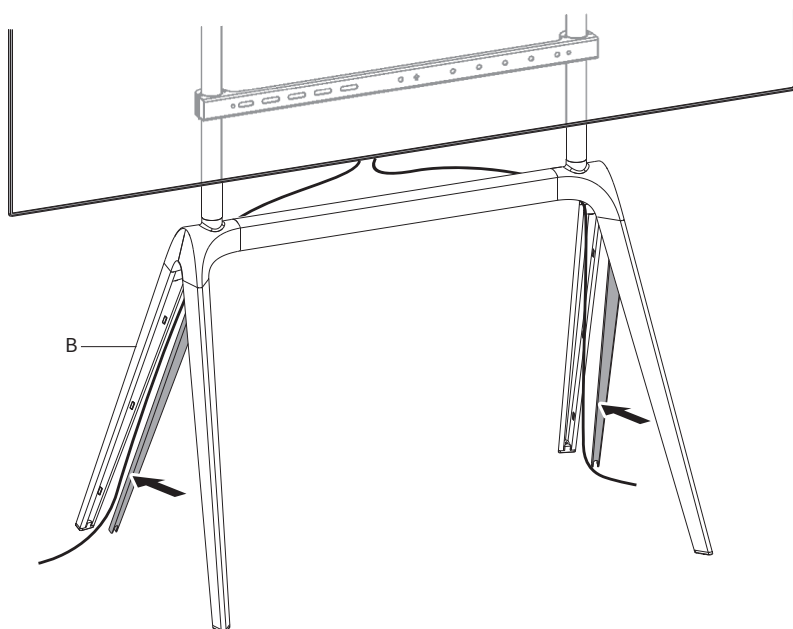
Slide the TV with Upper VESA Brackets (D) and Lower VESA Bracket (E) onto Poles (C). Close the clamps on Lower VESA Bracket (E) around Poles (C) and secure with previously removed screws.

NOTE: Make sure the TV does not touch Base (A).



STEP 7

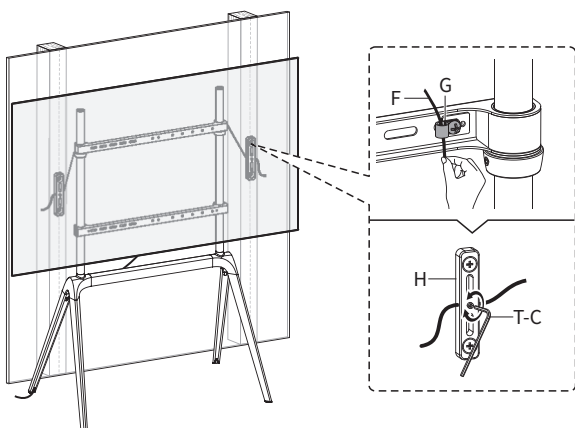
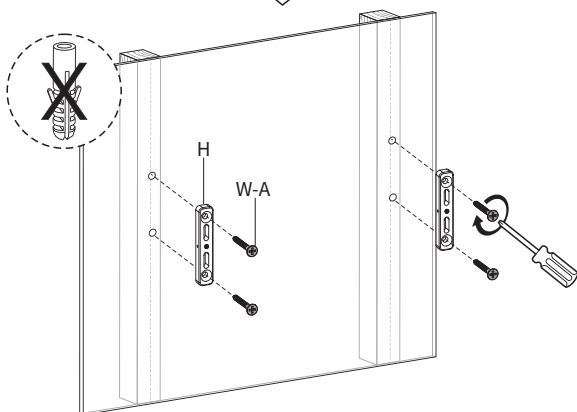
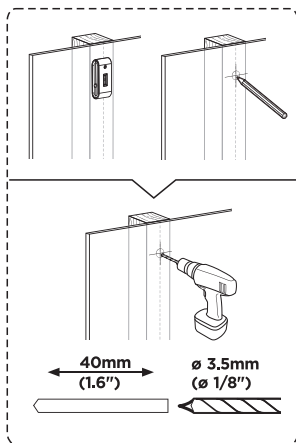
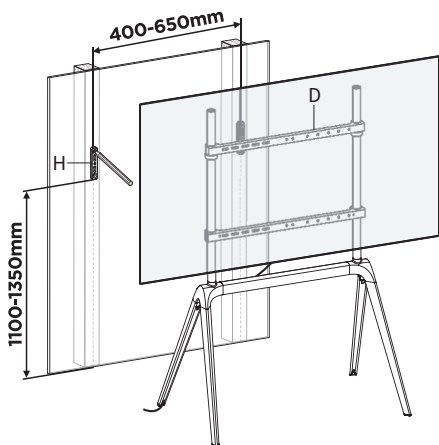
Route cables through Legs (B) and secure using the previously removed cable management covers.



STEP 8 (Option A)

Wood Stud Wall:

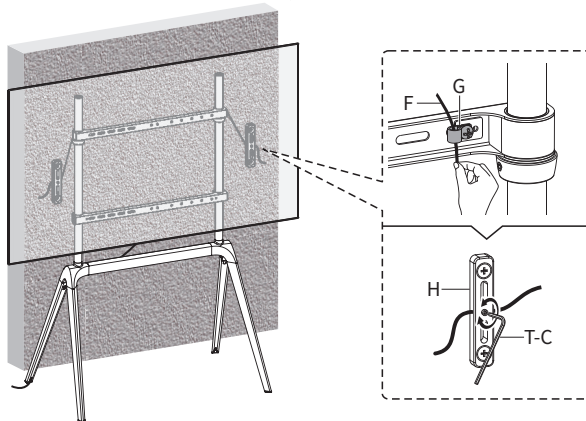
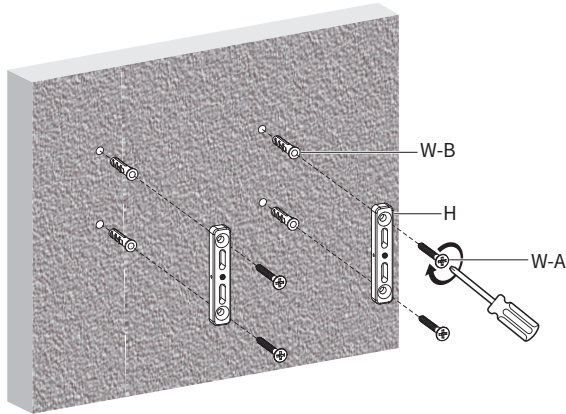
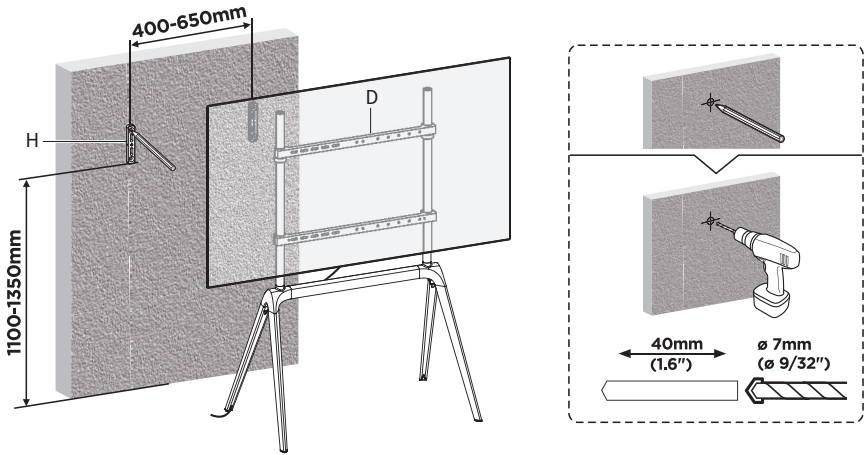
Using Security Cable Clamps (H) as guides, mark drilling locations on wall at the same height as Upper VESA Bracket (D). Use of a stud finder is recommended. Drill holes at least 1.6" (40mm) deep using a 1/8" (3.5mm) drill bit. Mount clamps to wall using ST4.8x38 Screws (W-A). Thread Security Cable (F) through Security Clips (G) on TV and center holes in Security Cable Clamps (H) as shown, then tighten clamps using the 2mm Allen wrench (T-C).



STEP 8 (Option B)

Concrete/Brick Wall:

Using Security Cable Clamps (H) as guides, mark drilling locations on wall at the same height as Upper VESA Bracket (D), spaced 16" - 26" (400mm - 650mm) apart. Drill holes at least 1.6" (40mm) deep using a 9/32" (7mm) drill bit. Insert Concrete Anchors (W-B) into holes and mount Security Cable Clamps (H) to wall using ST4.8x38 Screws (W-A). Thread Security Cable (F) through Security Clips (G) on TV and center holes in Security Cable Clamps (H) as shown, then tighten clamps using the 2mm Allen Wrench (T-C).





Open **Monday - Friday 7:00am - 7:00pm** CST,
our dedicated support team can offer immediate assistance with rapid response times. If any parts are received damaged or defective, please contact us. We are happy to replace parts to ensure you have a fully functioning product.



309-278-5303

AVG. RESOLUTION TIME (*within office hrs*): **5M 4S**



www.vivo-us.com
Chat live with an agent!

AVG. RESOLUTION TIME (*within office hrs*): **< 15 M**



help@vivo-us.com

AVG. RESPONSE TIME (*within office hrs*): **1HR 8M**

- 23% within < 15m
- 38% within < 30m
- 61% within < 1hr
- 83% within < 2hr
- 92% within < 3hr