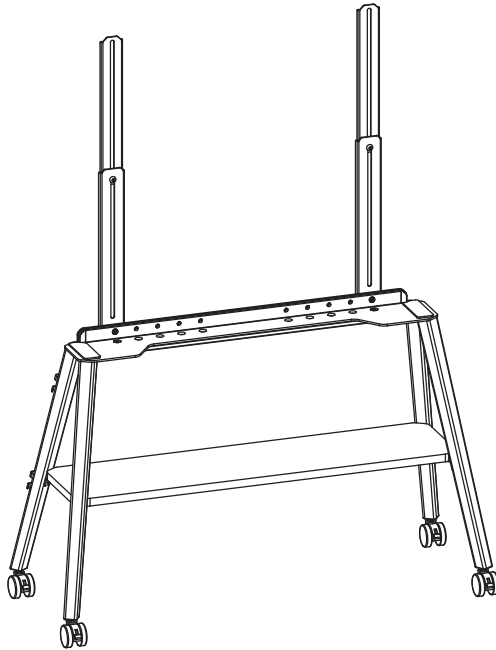




Dark Walnut / Black Mobile Easel TV Stand with Shelf Instruction Manual



SKU: STAND-TV75R



Scan the QR code with your mobile device or follow the link for helpful videos and specifications related to this product.

<https://vivo-us.com/products/stand-tv75r>

GET IN TOUCH | Monday-Friday from 7:00am-7:00pm CST



help@vivo-us.com



www.vivo-us.com
Chat live with an agent!



309-278-5303

⚠️ WARNING!

If you do not understand these directions, or if you have any doubts about the safety of the installation, please call a qualified technician. Check carefully to make sure there are no missing or defective parts. Improper installation may cause damage or serious injury. Do not use this product for any purpose that is not explicitly specified in this manual. Do not exceed weight capacity. We cannot be liable for damage or injury caused by improper mounting, incorrect assembly or inappropriate use.

⚠️ TIPOVER WARNING

SERIOUS OR FATAL CRUSHING INJURIES CAN OCCUR FROM TIPOVER. TO HELP PREVENT TIPOVER:

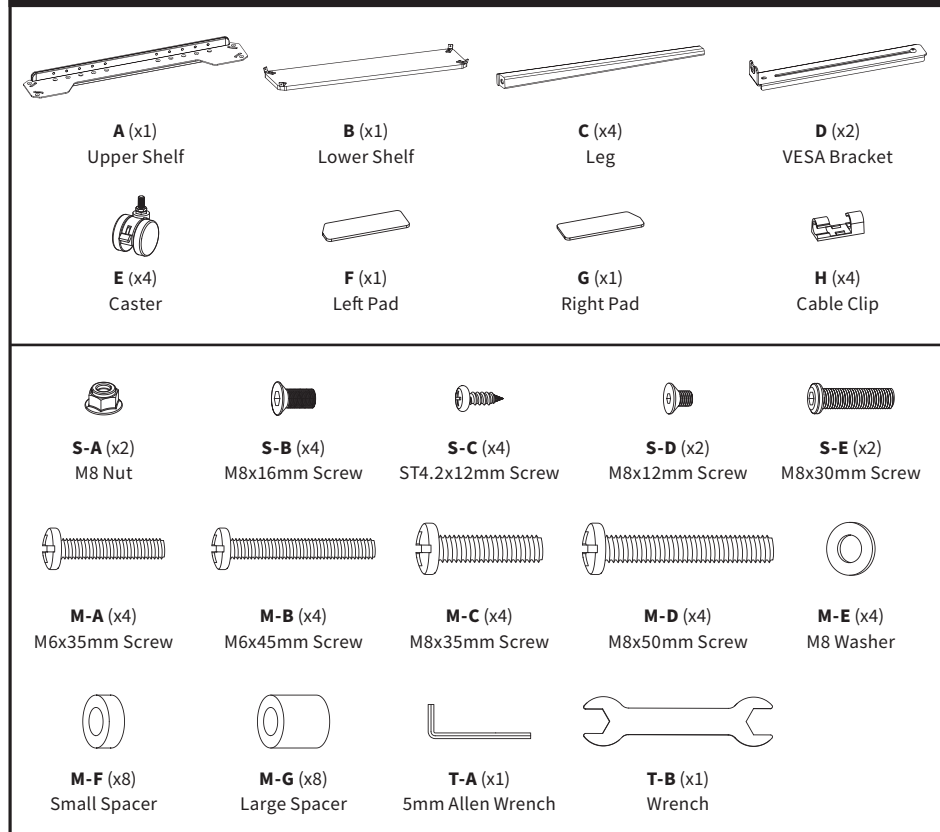
- NEVER ALLOW CHILDREN TO CLIMB, STAND, HANG, OR PLAY ON ANY PART OF TV OR TV STAND.
- USE TIPOVER RESTRAINT OR ANCHOR STAND TO WALL.

USE OF TIPOVER RESTRAINTS MAY ONLY REDUCE, BUT NOT ELIMINATE RISK OF TIPOVER.

⚠️ WARNING: CHOKING HAZARD

SMALL PARTS - NOT FOR CHILDREN UNDER 3 YEARS. ADULT SUPERVISION IS REQUIRED.

PACKAGE CONTENTS



NOTE: SOME HARDWARE INCLUDED MAY NOT BE USED

TOOLS NEEDED



DO NOT EXCEED WEIGHT CAPACITY.
Failure to do so may result in serious injury.



TV

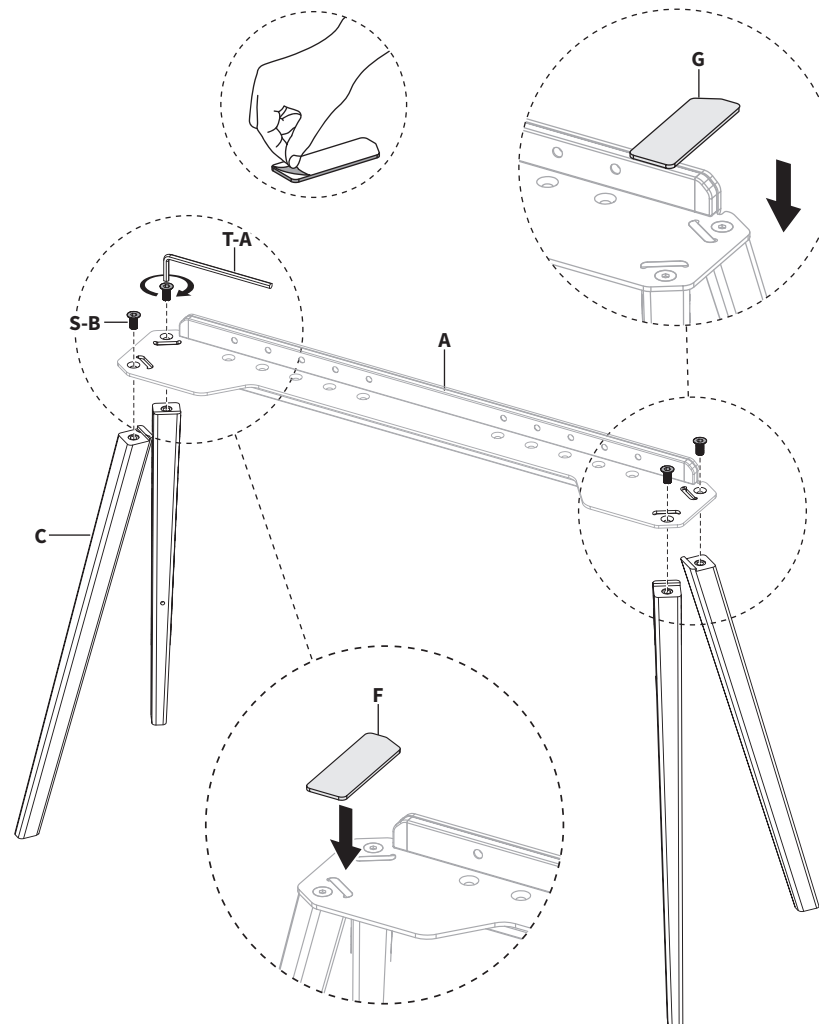


Shelf

ASSEMBLY STEPS

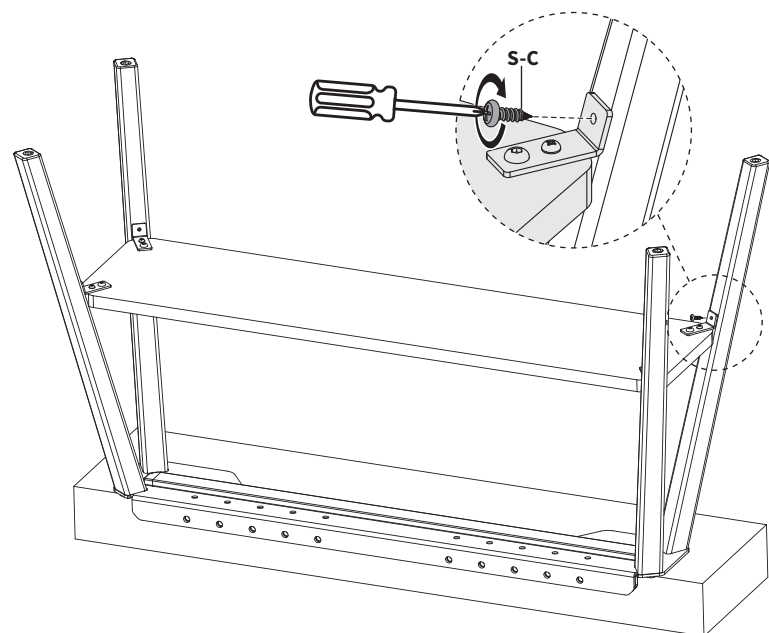
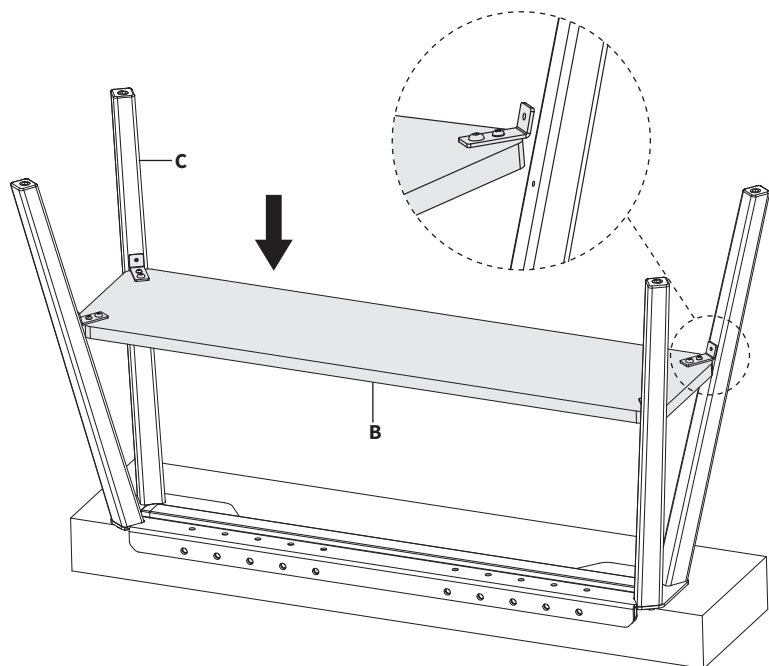
STEP 1

Install Legs (C) to Upper Shelf (A) using M8x16mm Screws (S-B) and 5mm Allen Wrench (T-A). Remove protective film from Left and Right Pads (F,G) and place them above the previously installed screws.



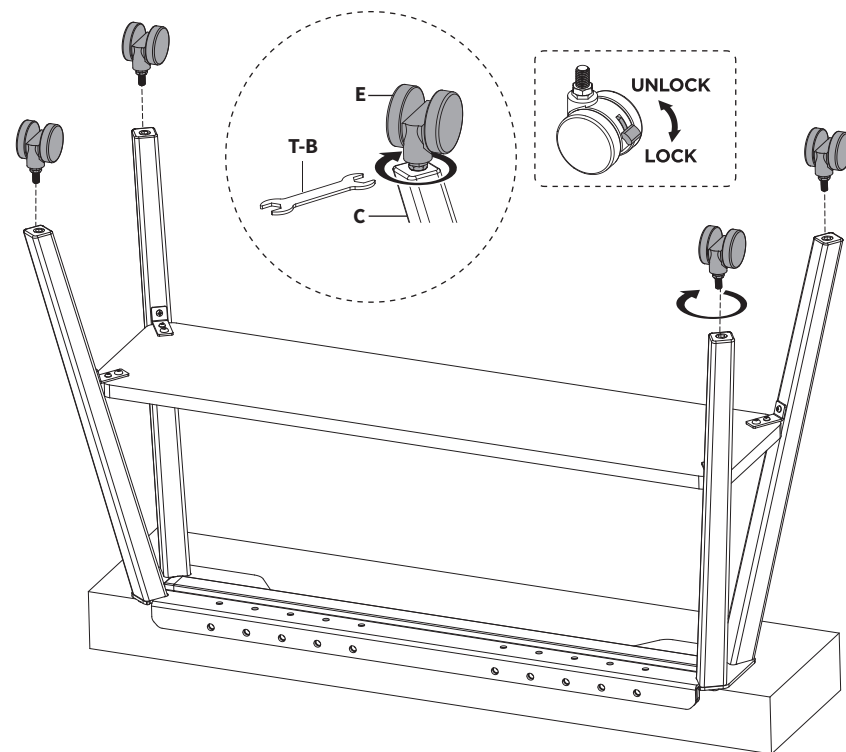
STEP 2

Attach Lower Shelf (B) to Legs (C) using ST4.2x12mm Screws (S-C) and a Phillips screwdriver.



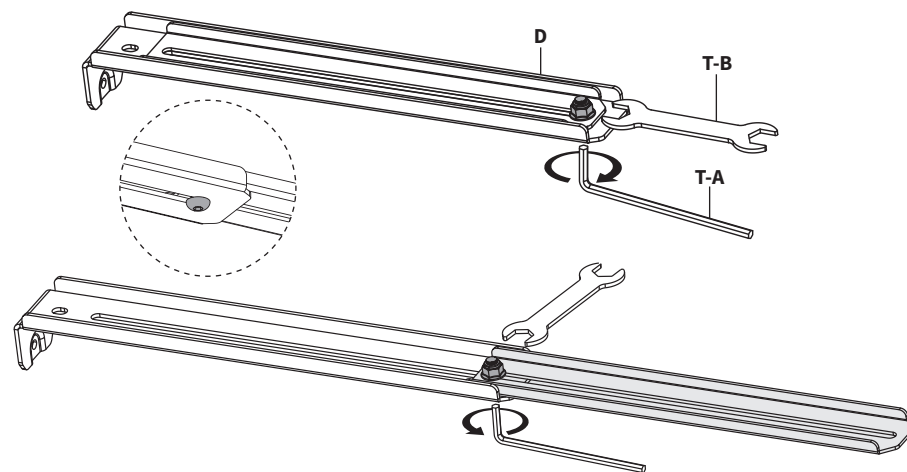
STEP 3

Thread Casters (E) into the bottom of Legs (C). Tighten Casters (E) using Wrench (T-B).



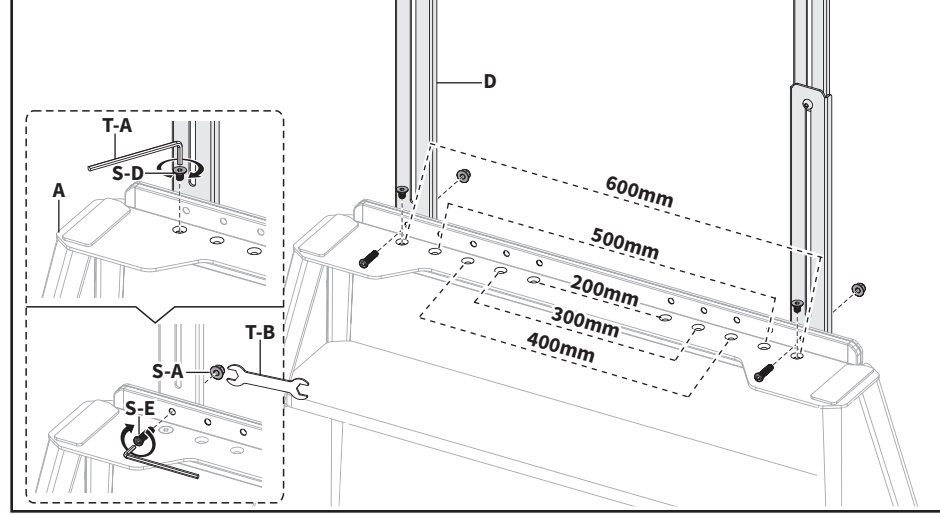
STEP 4

Loosen nuts on VESA Brackets (D) using 5mm Allen Wrench (T-A) and Wrench (T-B). Fully extend VESA Brackets (D) and tighten the screws.



STEP 5

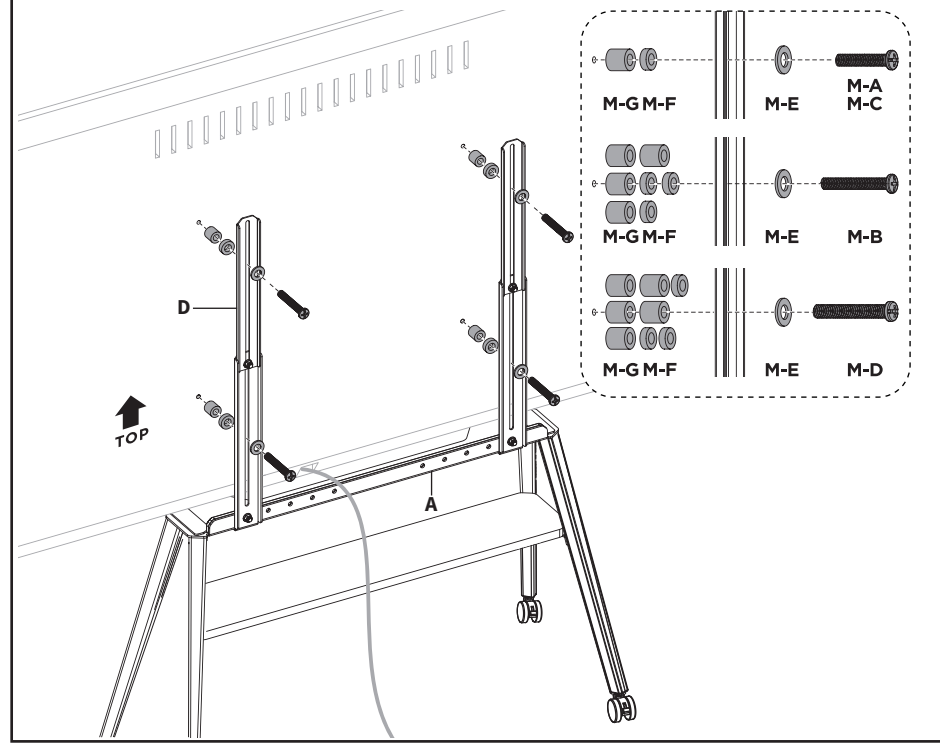
Determine the width of your TV's VESA pattern and use the corresponding holes on Upper Shelf (A). Install VESA Brackets (D) onto Upper Shelf (A) using M8x12mm Screws (S-D) and 5mm Allen Wrench (T-A). Install M8x30mm Screws (S-E) and M8 Nuts (S-A) using 5mm Allen Wrench (T-A) and Wrench (T-B).



STEP 6

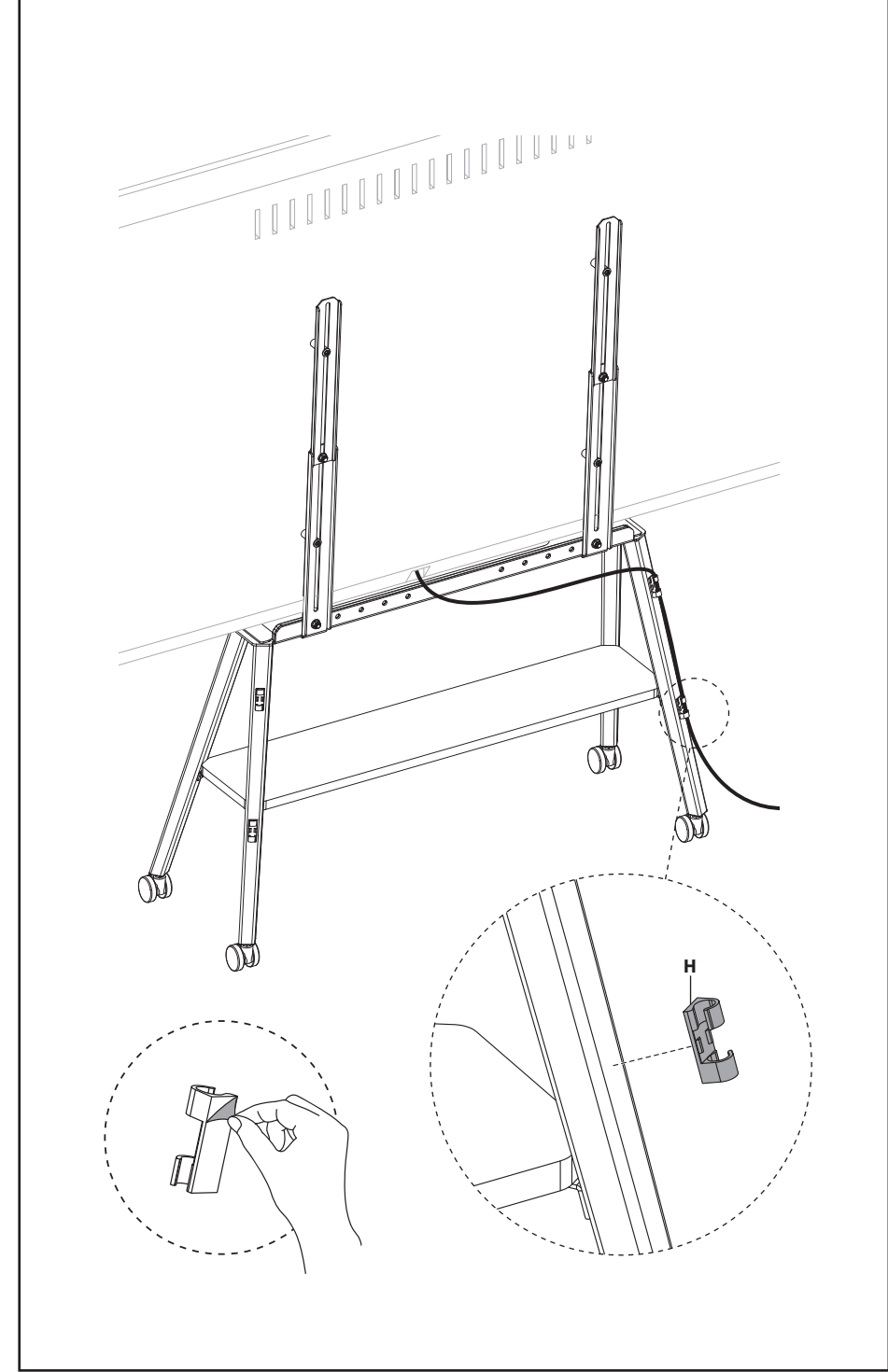
Assemble TV to VESA Brackets (D) using Screws (M-A through M-D) with M8 Washers (M-E) and Spacers (M-F, M-G).

NOTE: The TV needs to sit on Upper Shelf (A) and not be elevated.



STEP 7

Remove adhesive backing from Cable Clips (H) and install them onto the back of Legs (C).





Open **Monday - Friday 7:00am - 7:00pm** CST,

our dedicated support team can offer immediate assistance with rapid response times. If any parts are received damaged or defective, please contact us. We are happy to replace parts to ensure you have a fully functioning product.



309-278-5303

AVG. RESOLUTION TIME (within office hrs): **5M 4S**



www.vivo-us.com
Chat live with an agent!

AVG. RESOLUTION TIME (within office hrs): **< 15 M**



help@vivo-us.com

AVG. RESPONSE TIME (within office hrs): **1HR 8M**

- 23% within < 15m
- 38% within < 30m
- 61% within < 1hr
- 83% within < 2hr
- 92% within < 3hr