

TV Floor Stand

SKU: STAND-TV75E

Instruction Manual

Assembly Video & Product Info
www.vivo-us.com/products/stand-tv75e



! CAUTION! !

If you do not understand these directions, or if you have any doubts about the safety of the installation, please contact our product support team at 309-278-5303 or help@vivo-us.com for further assistance. Check carefully to make sure there are no missing or defective parts. Improper installation may cause damage or serious injury. Do not use this product for any purpose that is not explicitly specified in this manual. Do not exceed weight capacity. We cannot be liable for damage or injury caused by improper mounting, incorrect assembly or inappropriate use.



WARNING: CHOKING HAZARD

SMALL PARTS - NOT FOR CHILDREN UNDER 3 YEARS. ADULT SUPERVISION IS REQUIRED.



DO NOT EXCEED WEIGHT CAPACITY

FAILURE TO DO SO MAY RESULT IN SERIOUS INJURY.



TIPOVER WARNING

**SERIOUS OR FATAL CRUSHING INJURIES CAN OCCUR FROM TIPOVER.
TO HELP PREVENT TIPOVER:**

- NEVER ALLOW CHILDREN TO CLIMB, STAND, HANG, OR PLAY ON ANY PART OF TV OR TV CART
- USE TIPOVER RESTRAINT OR ANCHOR STAND TO WALL

USE OF TIPOVER RESTRAINTS MAY ONLY REDUCE, BUT NOT ELIMINATE RISK OF TIPOVER.



WARNING: DO NOT INSTALL INTO DRYWALL ALONE

VERIFY YOUR WALL CONSTRUCTION. USE WOOD STUDS TO MOUNT. We include mounting for brick and concrete walls. If unsure, please contact us at vivo-us.com, email at help@vivo-us.com, or call us at 309-278-5303.

We're Here for You

Open **Monday - Friday 7:00am - 7:00pm CST**, our dedicated support team can offer immediate assistance with rapid response times. If any parts are received damaged or defective, please contact us. We are happy to replace parts to ensure you have a fully functioning product.



Give us a Call:
309-278-5303

AVG. RESOLUTION TIME (*within office hrs*): **5M 4S**



Chat Us:
www.vivo-us.com

AVG. RESOLUTION TIME (*within office hrs*): **< 15 M**



Email Us:
help@vivo-us.com

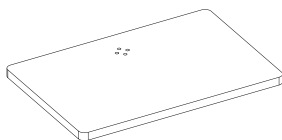
AVG. RESPONSE TIME (*within office hrs*): **1HR 8M**

- 23% within < 15m
- 38% within < 30m
- 61% within < 1hr
- 83% within < 2hr
- 92% within < 3hr

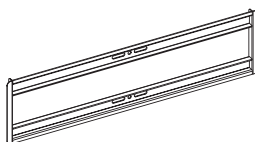
Package Contents



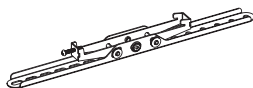
A (x1)
Pole



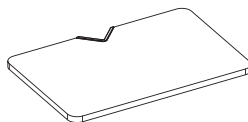
B (x1)
Base



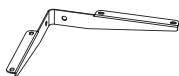
C (x1)
Support Plate



D (x2)
VESA Brackets



E (x1)
Shelf



F (x1)
Shelf Bracket



G (x5)
Round Pad



H (x2)
Cable Clip



I (x1)
Square Pad

Included Hardware & Tools



S-A (x4)
M6x10mm Screw



S-B (x6)
M8x20mm Screw



S-C (x4)
M8x40mm Screw



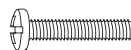
S-D (x4)
Large M8 Washer



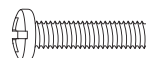
M-A (x4)
M6x14mm Screw



M-B (x4)
M8x16mm Screw



M-C (x4)
M6x30mm Screw



M-D (x4)
M8x35mm Screw



M-E (x4)
Small M8 Washer



M-F (x4)
Small Spacer



M-G (x4)
Large Spacer



T-A (x1)
4mm Allen Wrench

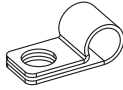


T-B (x1)
5mm Allen Wrench

Security Cable Kit



P-A (x1)
Security Cable



P-B (x2)
Security Cable Clip



P-C (x1)
Wall Bracket



P-D (x2)
Cable Lock



P-E (x1)
ST4.8x38mm Screw



P-F (x1)
Concrete Anchor



P-G (x2)
M5 Washer

Tools Needed:



**Phillips
Screwdriver**



Power Drill



Stud Finder



Pencil



**Tape
Measure**

Weight Capacity:



TV



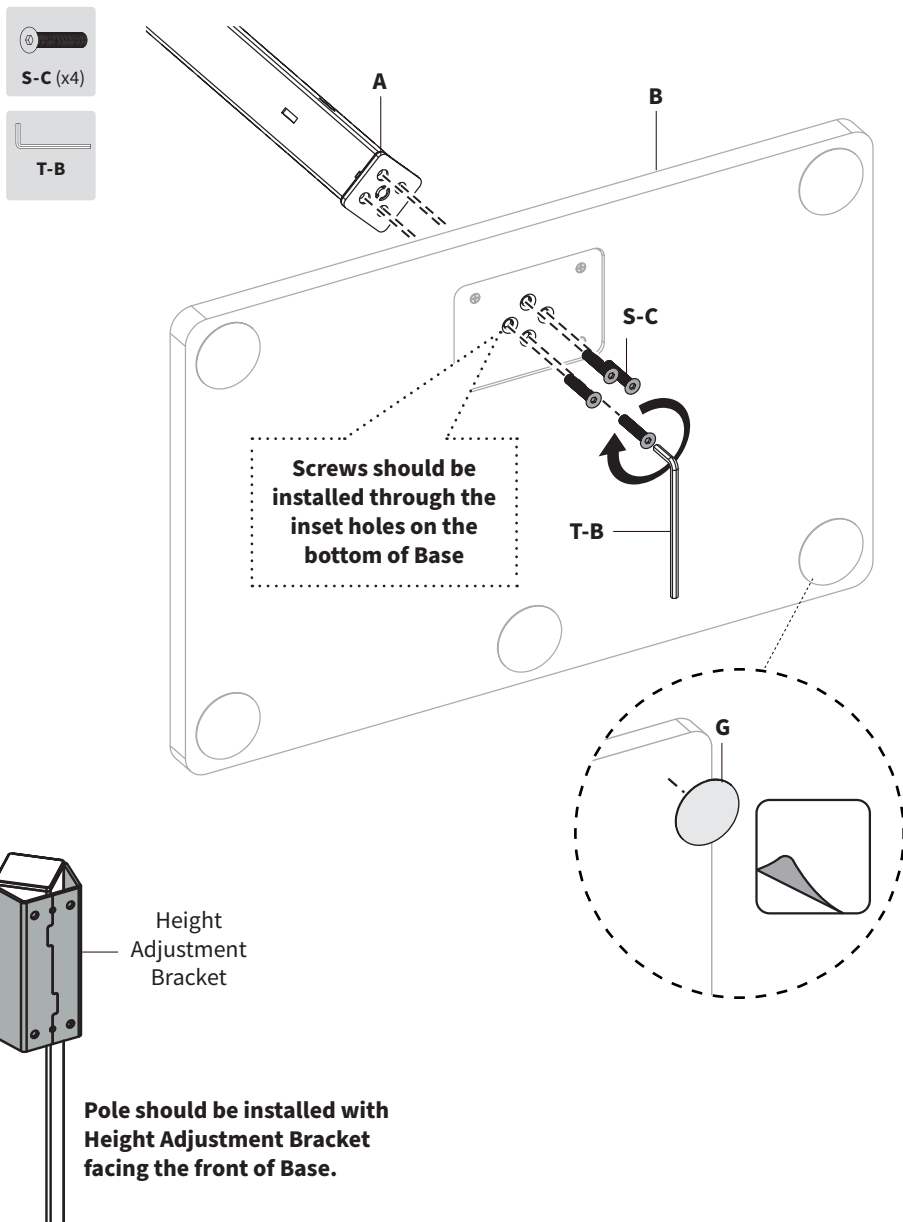
Shelf

ASSEMBLY STEPS

STEP 1

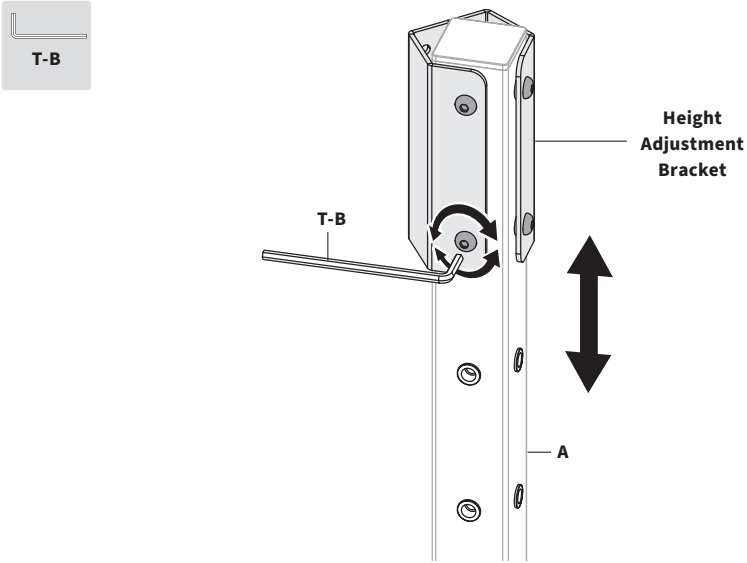
Attach Pole (A) to Base (B) using M8x40mm Screws (S-C) and 5mm Allen Wrench (T-B).

Remove the protective film from Round Pads (G) and place them on the bottom of Base, as shown below.

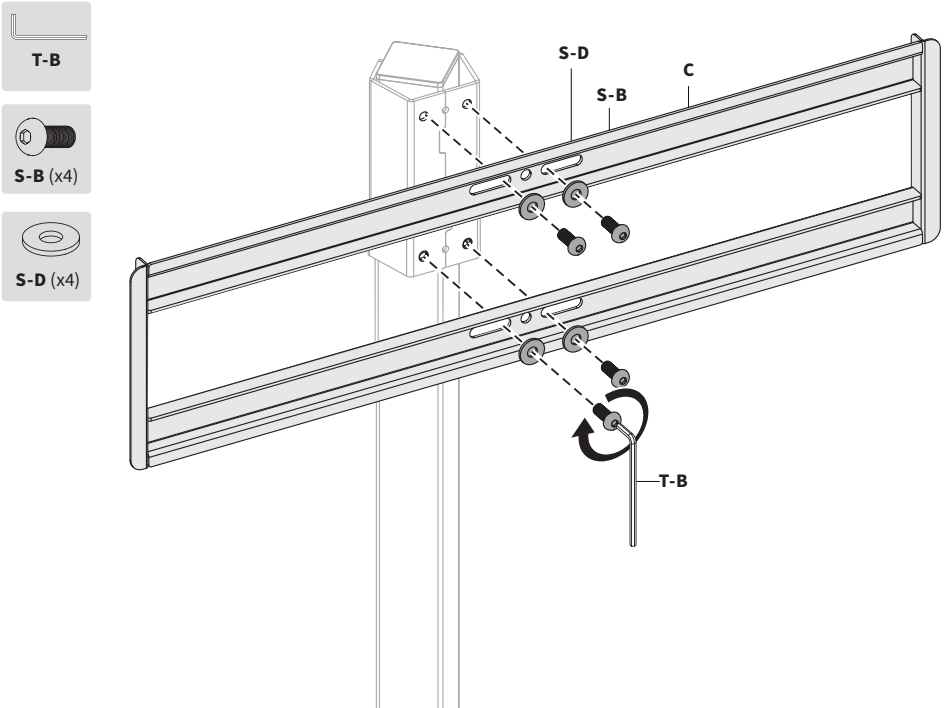


STEP 2

The position the preinstalled **Height Adjustment Bracket** on Pole (**A**) can be adjusted to your desired height. To adjust, begin by removing the preinstalled screws using the 5mm Allen Wrench (**T-B**), adjust the Bracket, and then reinstall screws in your desired position.

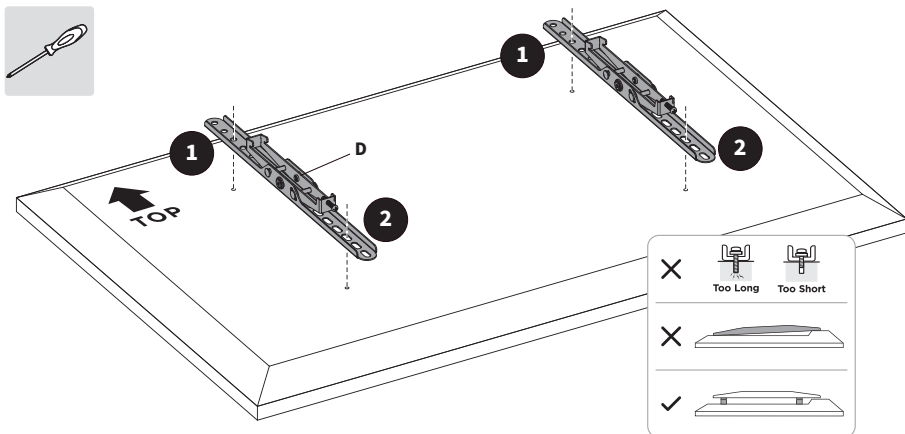


Secure Support Plate (**C**) to the front of **Height Adjustment Bracket** on Pole (**A**) using M8x20mm Screws (**S-B**), Large M8 Washers (**S-D**), and 5mm Allen Wrench (**T-B**).



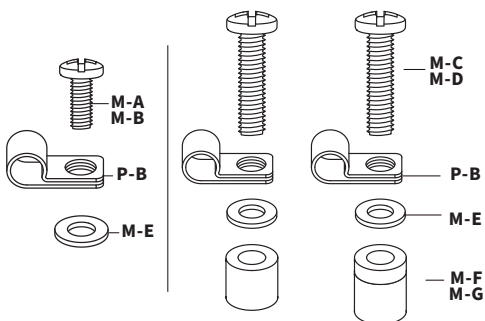
STEP 3

Attach VESA Brackets (**D**) to the back of your TV using the assorted Mounting Hardware shown below, making note of the combinations for Upper and Lower VESA Slots. Tighten with a Phillips screwdriver. To help orient the VESA Brackets ensure the locking screw is in position towards the bottom of the TV.



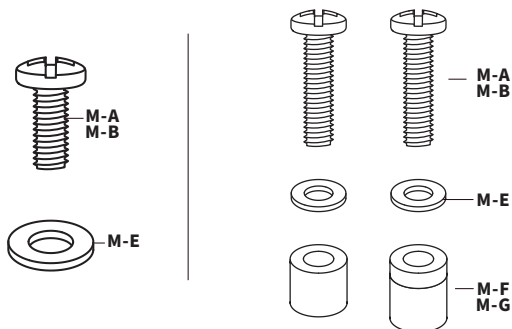
1. Upper VESA Slot:

Choose the combination that best suits your TV.



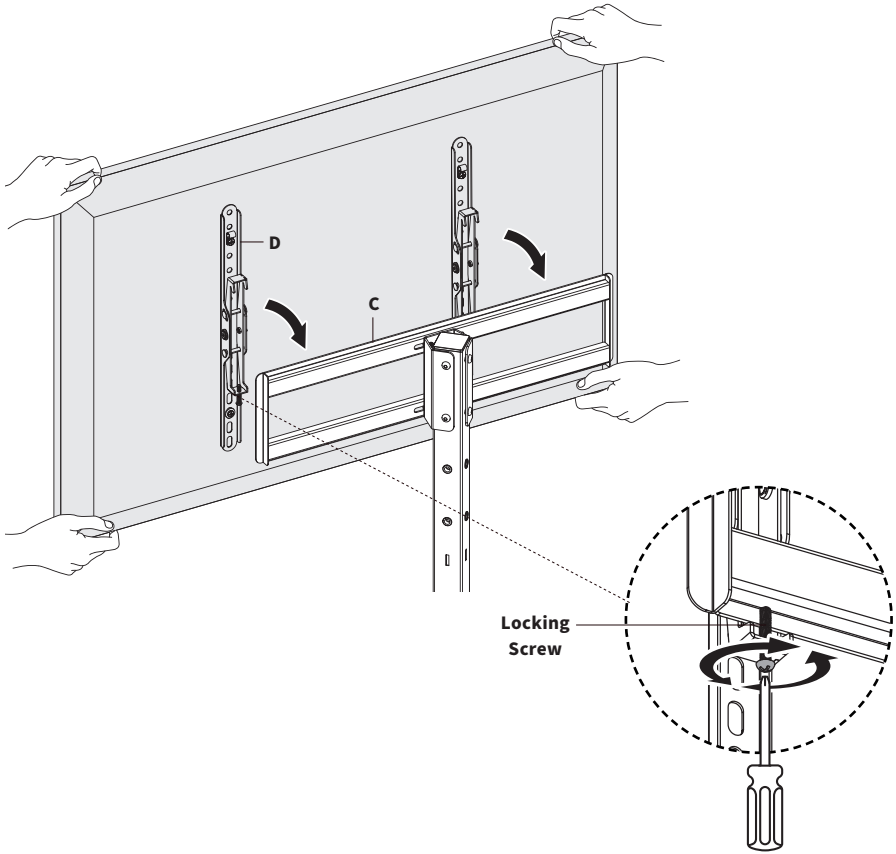
2. Lower VESA Slot:

Choose the combination that best suits your TV.



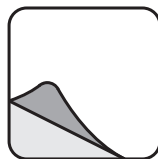
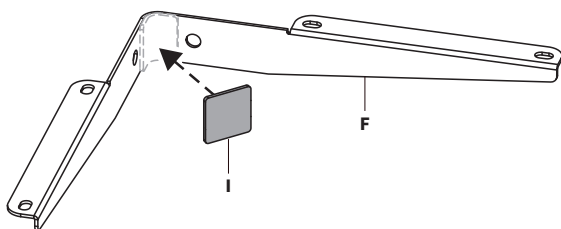
STEP 4

Hang the TV with VESA Brackets (**D**) onto the Support Plate (**C**). Secure the **Locking Screws** on VESA Brackets using a Phillips screwdriver.

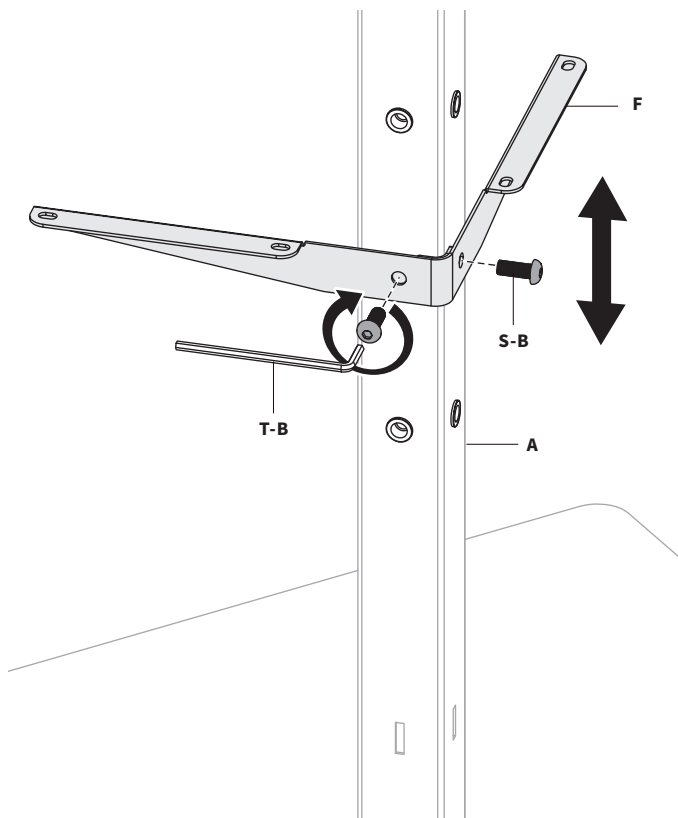


STEP 5

Remove the protective film from Square Pad **(I)** and apply it to the inside corner of Shelf Bracket **(F)**.



Attach Shelf Bracket **(F)** to Pole **(A)** at one of three heights using M8x20mm Screws **(S-B)** and 5mm Allen Wrench **(T-B)**.



T-B



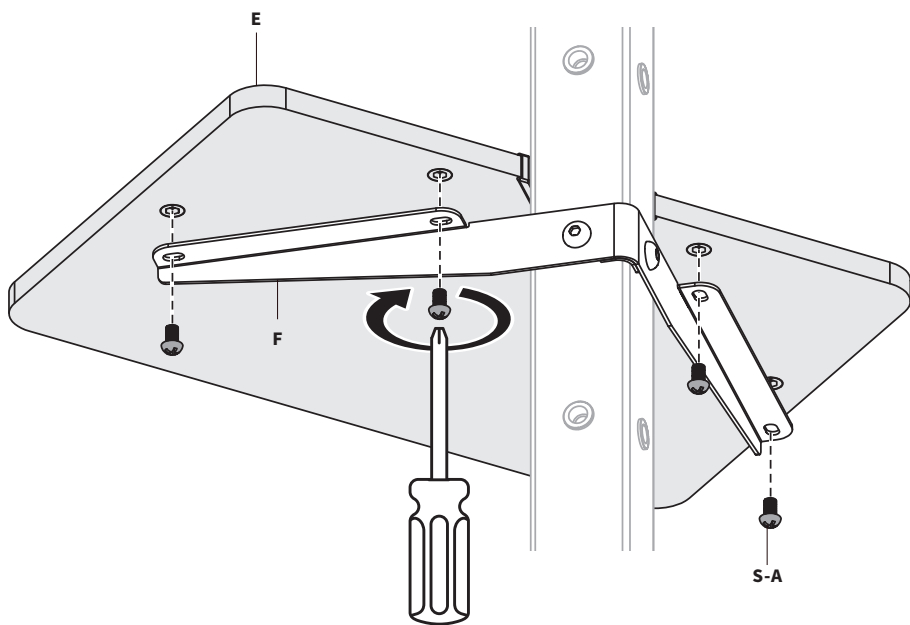
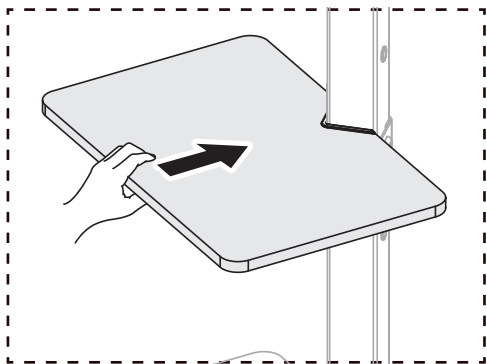
S-B (x2)

STEP 6

Place Shelf (**E**) onto Shelf Bracket (**F**) and secure using M6x10mm Screws (**S-A**) and a Phillips screwdriver.

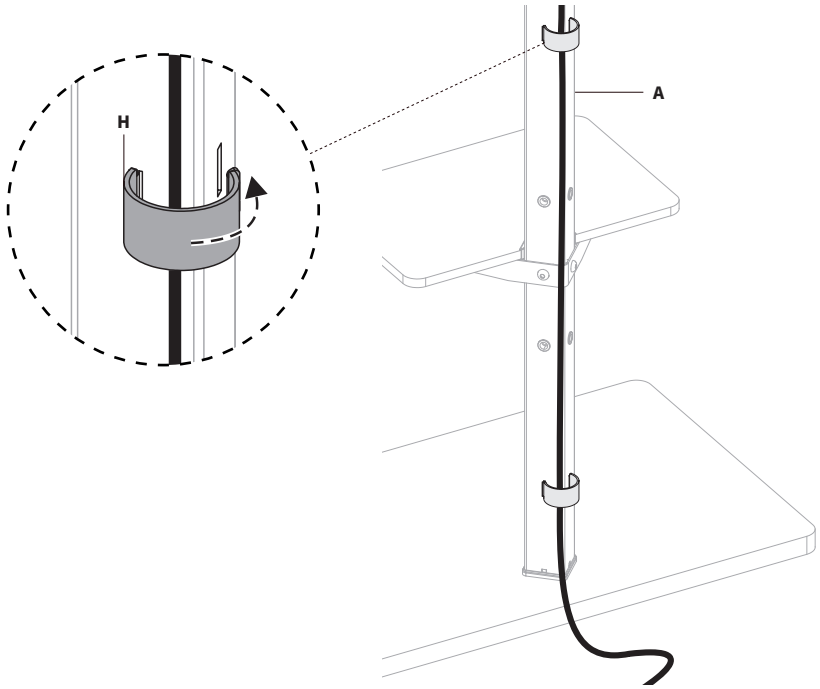


S-A (x4)



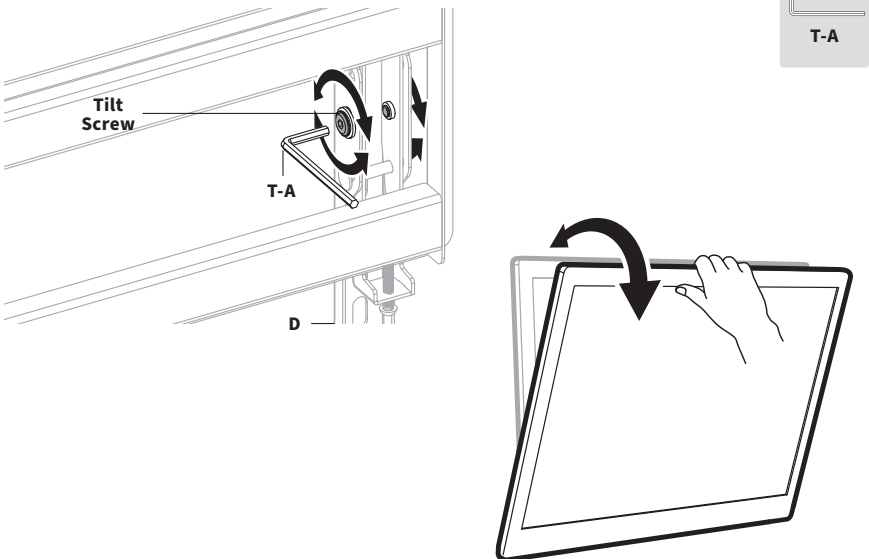
STEP 7

Press Cable Clips (**H**) into the slots on the back of Pole (**A**) and route cables through while placing.



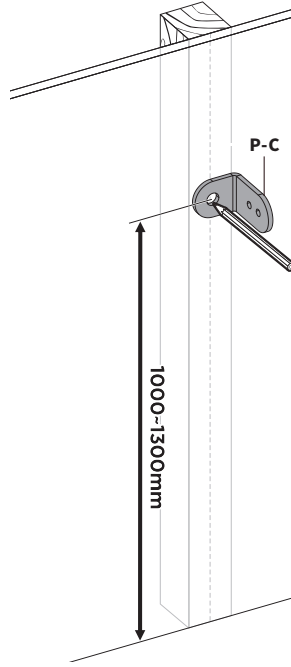
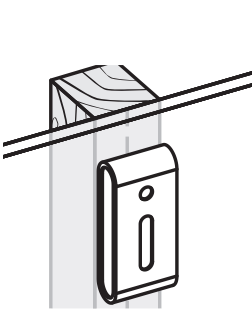
STEP 8

To adjust TV tilt, use 4mm Allen Wrench (**T-A**) to loosen and adjust Tilt Screws on side of VESA Brackets (**D**).

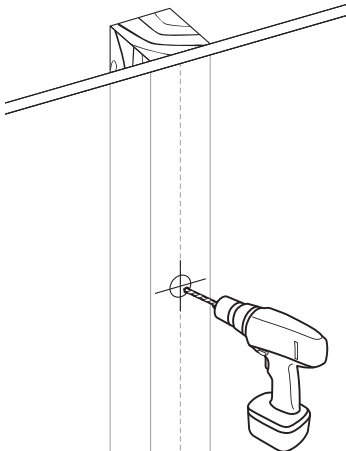


STEP 9a - Wood Stud

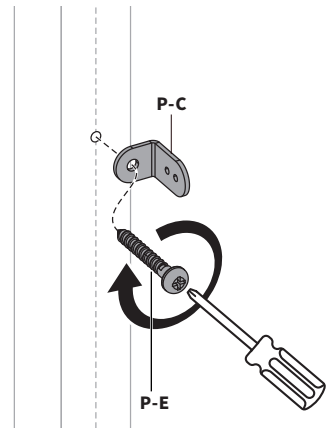
To install Security Cable Kit, use a stud finder and hold Wall Bracket (**P-C**) up to wall and mark hole position along a stud between 39.4"-51.2" (1000mm-1300mm) off of the floor.



Drill a 1.6" (40mm) deep hole using a 1/8" (3.5mm) drill bit. Secure Wall Bracket (**P-C**) to the wall using ST4.8x38mm Screw (**P-E**) and a Phillips screwdriver.



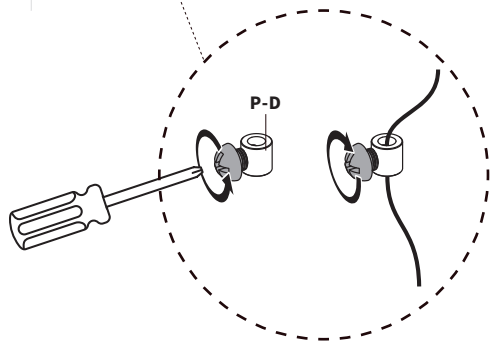
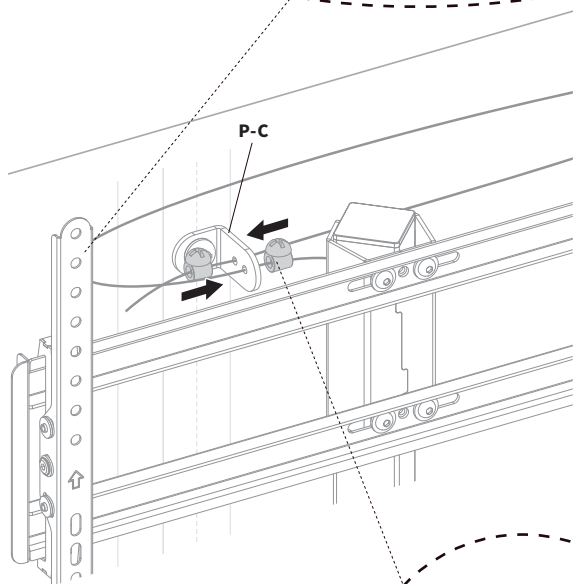
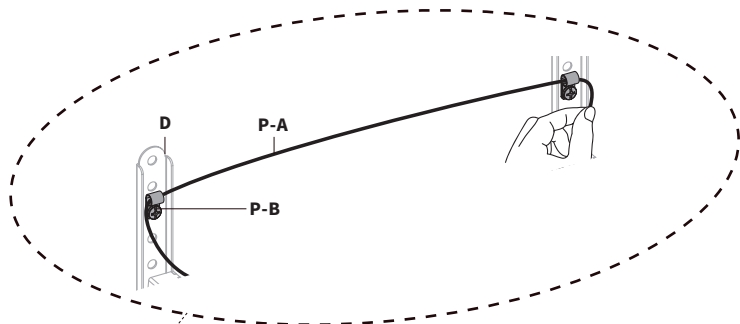
40mm (1.6")  Ø3,5mm (Ø1/8")



STEP 10a - Wood Stud

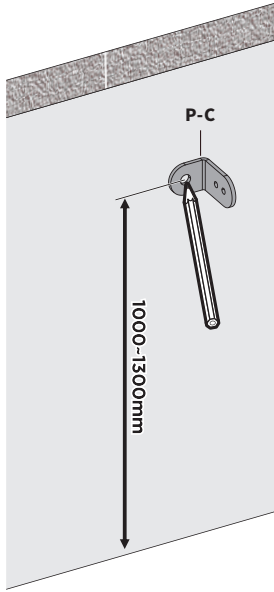
Route the Security Cable (**P-A**) through Wall Bracket (**P-E**) and both Security Cable Clips (**P-B**) previously installed with VESA Brackets (**D**).

Loosen the screw on Cable Lock (**P-D**) using a Phillips screwdriver. Slide Cable Locks onto the ends of Security Cable and tighten the screw using a Phillips screwdriver to secure.



STEP 9b - Concrete/Brick

Hold Wall Bracket (**P-C**) up to wall and mark hole position between 39.4"-51.2" (1000mm-1300mm) off of the floor.



Drill a 1.6" (40mm) deep hole using a 9/32" (7mm) drill bit. Secure Wall Bracket (**P-C**) to the wall using ST4.8x38mm Screw (**P-E**), Concrete Anchor (**P-F**), and a Phillips screwdriver.

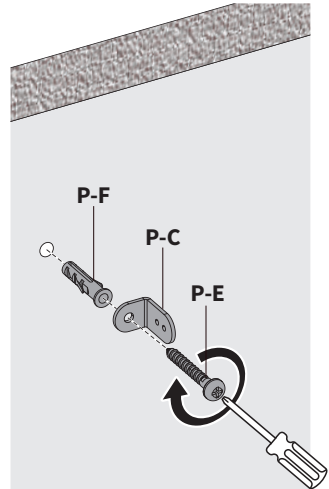
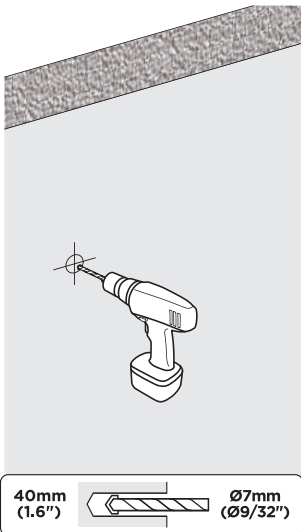


9/32"
(7mm)



P-E (x1)

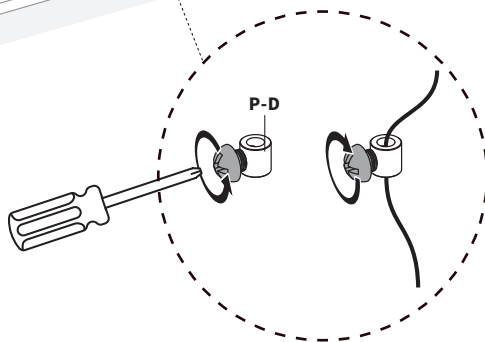
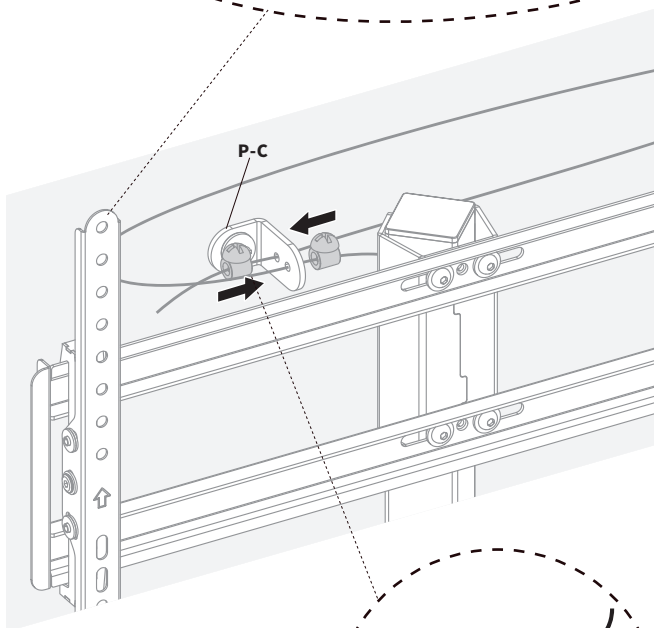
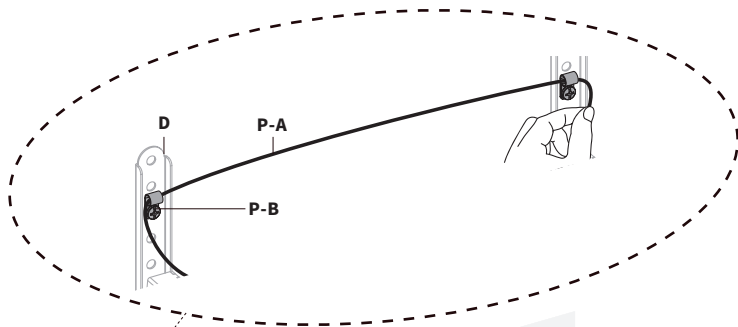
P-F (x1)



STEP 10b - Concrete/Brick

Route the Security Cable (**P-A**) through Wall Bracket (**P-C**) and both Security Cable Clips (**P-B**) previously installed with VESA Brackets (**D**).

Loosen the screw on Cable Lock (**P-D**) using a Phillips screwdriver. Slide Cable Locks onto the ends of Security Cable and tighten the screw using a Phillips screwdriver to secure.





Need Help? Get In Touch

Monday-Friday from 7:00am-7:00pm CST



help@vivo-us.com



www.vivo-us.com

Chat live with an agent!



309-278-5303



VIVO-us



@vivo_us