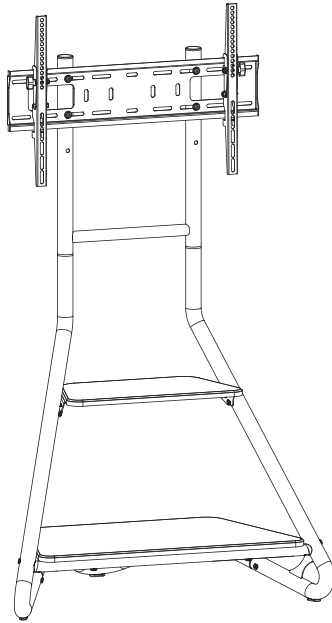




Black Corner TV Stand with Dark Walnut Shelves

Instruction Manual



SKU: STAND-TV75BH



Scan the QR code with your mobile device or follow the link for helpful videos and specifications related to this product.

<https://vivo-us.com/products/stand-tv75bh>

GET IN TOUCH | Monday-Friday from 7:00am-7:00pm CST



help@vivo-us.com



www.vivo-us.com
Chat live with an agent!



309-278-5303

⚠ WARNING!

If you do not understand these directions, or if you have any doubts about the safety of the installation, please call a qualified technician. Check carefully to make sure there are no missing or defective parts. Improper installation may cause damage or serious injury. Do not use this product for any purpose that is not explicitly specified in this manual. Do not exceed weight capacity. We cannot be liable for damage or injury caused by improper mounting, incorrect assembly or inappropriate use.

⚠ WARNING: CHOKING HAZARD

SMALL PARTS - NOT FOR CHILDREN UNDER 3 YEARS. ADULT SUPERVISION IS REQUIRED.

PACKAGE CONTENTS



A (x1)
Right Back Leg



B (x1)
Left Back Leg



C (x1)
Upper Support



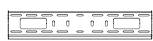
D (x1)
Front Leg



E (x1)
Large Shelf



F (x1)
Small Shelf



G (x1)
VESA Plate



H (x1)
Left VESA Bracket



I (x1)
Right VESA Bracket



J (x4)
Cable Clips



K (x1)
Left Shelf Bracket



L (x1)
Right Shelf Bracket



M (x2)
Shelf Clip



N (x2)
Shelf Spacer



S-A (x2)
M6x60mm Screw



S-B (x4)
M8x55mm Screw



S-C (x18)
M6x12mm Screw



S-D (x8)
M8 Washer



S-E (x4)
M8 Nut



S-F (x4)
M8 Screw Cap



M-A (x4)
M6x14mm Screw



M-B (x4)
M8x16mm Screw



M-C (x4)
M6x30mm Screw



M-D (x4)
M8x35mm Screw



M-E (x4)
M8 Washer



M-F (x4)
Small Spacer



M-G (x4)
Large Spacer



T-A (x1)
Bubble Level



T-B (x1)
4mm Allen Wrench



T-C (x1)
5mm Allen Wrench



T-D (x1)
Wrench

DO NOT EXCEED WEIGHT CAPACITY.

NOTE: SOME HARDWARE INCLUDED MAY NOT BE USED

Failure to do so may result in serious injury.



TV



Shelf

TOOLS NEEDED



TIPOVER WARNING

SERIOUS OR FATAL CRUSHING INJURIES CAN OCCUR FROM TIPOVER. TO HELP PREVENT TIPOVER:

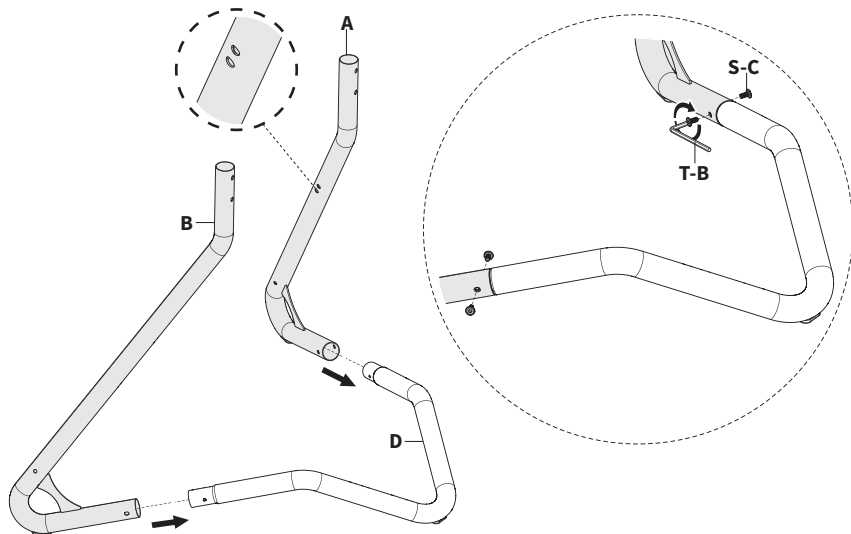
- NEVER ALLOW CHILDREN TO CLIMB, STAND, HANG, OR PLAY ON ANY PART OF TV OR STAND.
 - USE TIPOVER RESTRAINT OR ANCHOR STAND TO WALL.
- USE OF TIPOVER RESTRAINTS MAY ONLY REDUCE, BUT NOT ELIMINATE RISK OF TIPOVER.**

ASSEMBLY STEPS

STEP 1

Connect Front Leg (D) to Right Back Leg (A) and Left Back Leg (B) using M6x12mm Screws (S-C) with 4mm Allen Wrench (T-B).

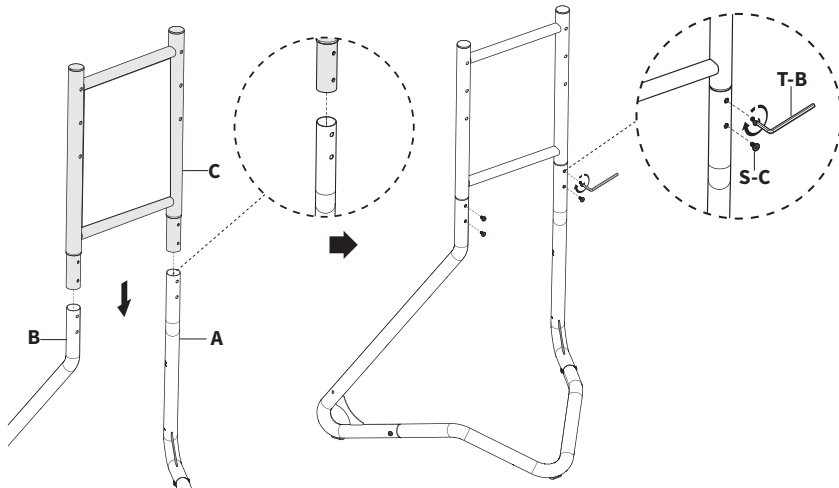
NOTE: Do not fully install screws; they will be fully tightened in a later step.



STEP 2

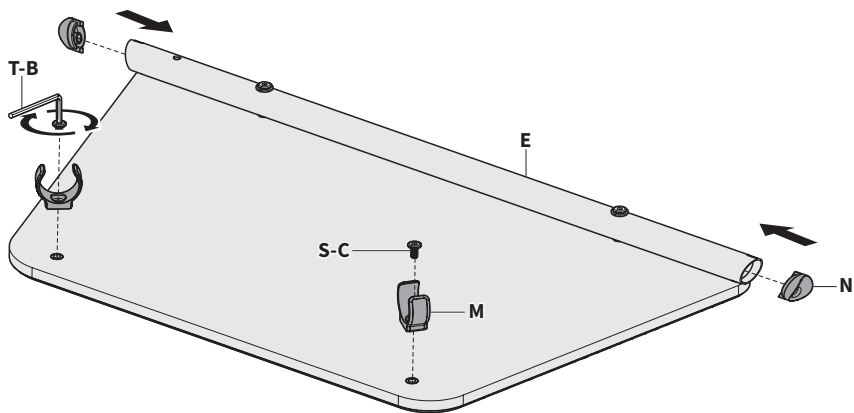
Slide Upper Support (C) on to leg assembly, making sure to match up the holes with Right Back Leg (A) and Left Back Leg (B). Secure using M6x12mm Screws (S-C) and 4mm Allen Wrench (T-B).

NOTE: Do not fully install screws; they will be fully tightened in a later step.

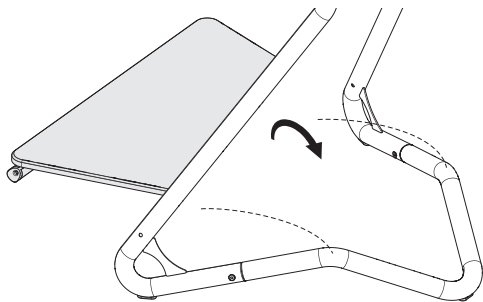
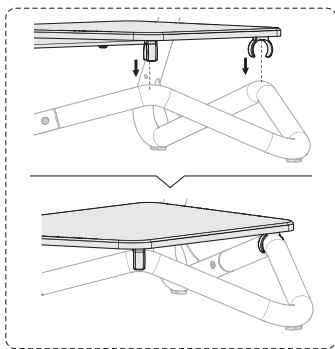


STEP 3

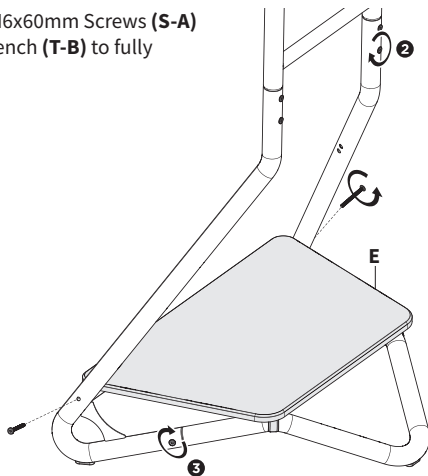
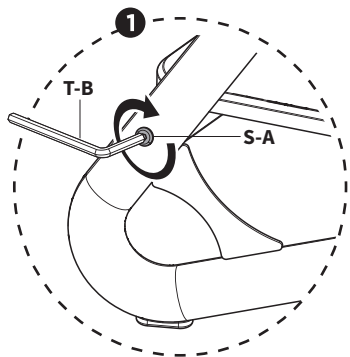
Install Shelf Clips (**M**) to underside of Large Shelf (**E**) at a 45° angle facing inward, using M6x12mm Screws (**S-C**) and 4mm Allen Wrench (**T-B**). Insert Shelf Spacers (**N**) into the ends of Large Shelf (**E**).



Snap shelf assembly to the raised curves of assembled base as shown below.

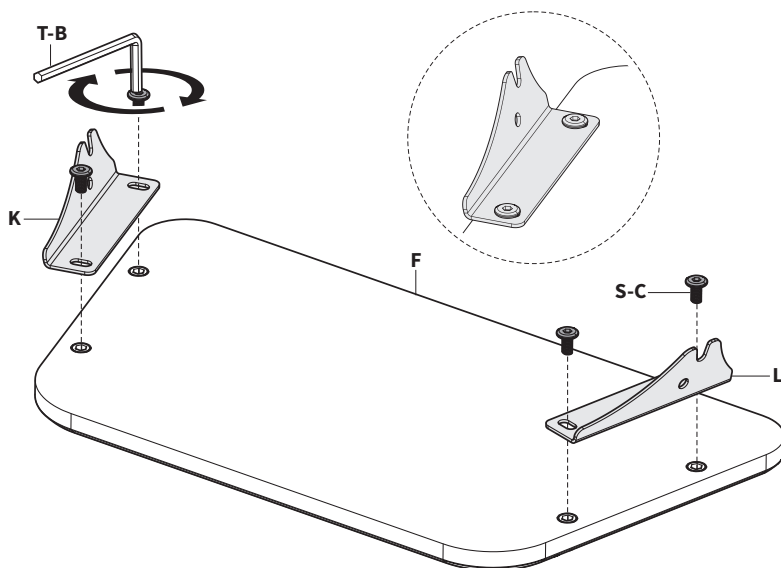


Secure Large Shelf (**E**) to frame assembly using M6x60mm Screws (**S-A**) and 4mm Allen Wrench (**T-B**). Use 4mm Allen Wrench (**T-B**) to fully secure and tighten previously installed screws.

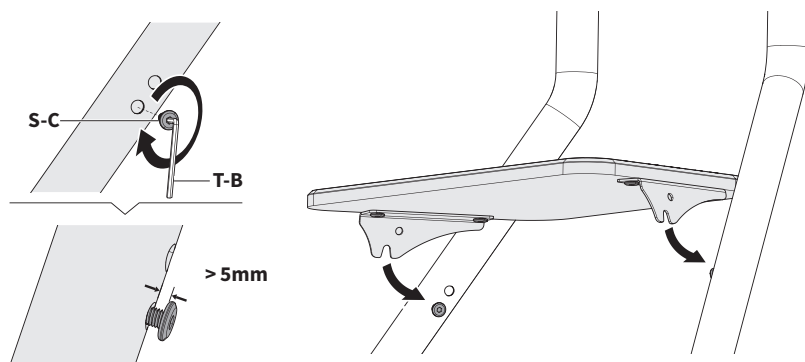


STEP 4

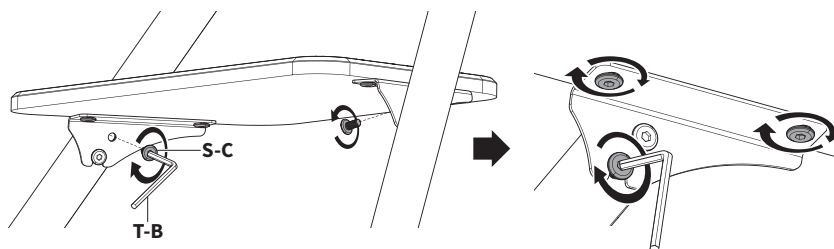
Assemble Left Shelf Bracket (**K**) and Right Shelf Bracket (**L**) to Small Shelf (**F**) using M6x12mm Screws (**S-C**) and 4mm Allen Wrench (**T-B**). **NOTE:** Do not overtighten screws.



Insert two M6x12mm Screws (**S-C**) into the bottom inner holes on the frame assembly as show below, using 4mm Allen Wrench (**T-B**), making sure to leave 5mm of threads exposed. Place shelf assembly over installed screws.

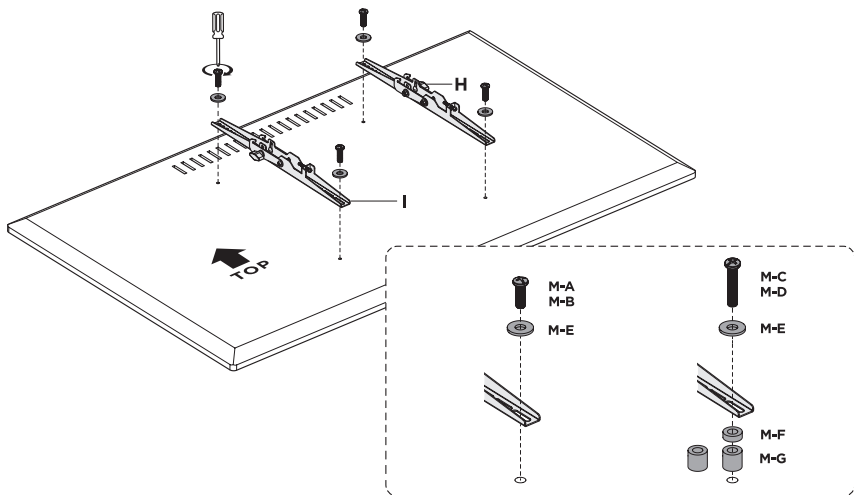
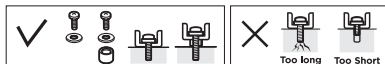


Secure shelf assembly to the frame using M6x12mm Screws (**S-C**) in the remaining inner holes with 4mm Allen Wrench (**T-B**). Tighten all previously installed M6x12mm Screws (**S-C**) on the small shelf assembly using 4mm Allen Wrench (**T-B**).



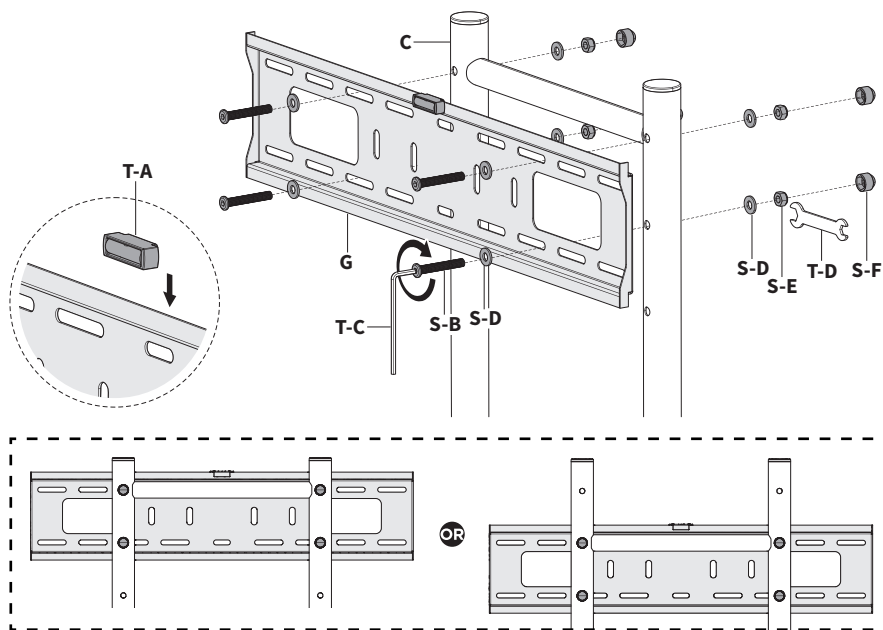
STEP 5

Assemble Left VESA Bracket (**H**) and Right VESA Bracket (**I**) to back of TV using appropriate Screws (**M-A thru M-D**), M8 Washers (**M-E**), Spacers (**M-F, M-G**) and a Phillips screwdriver.



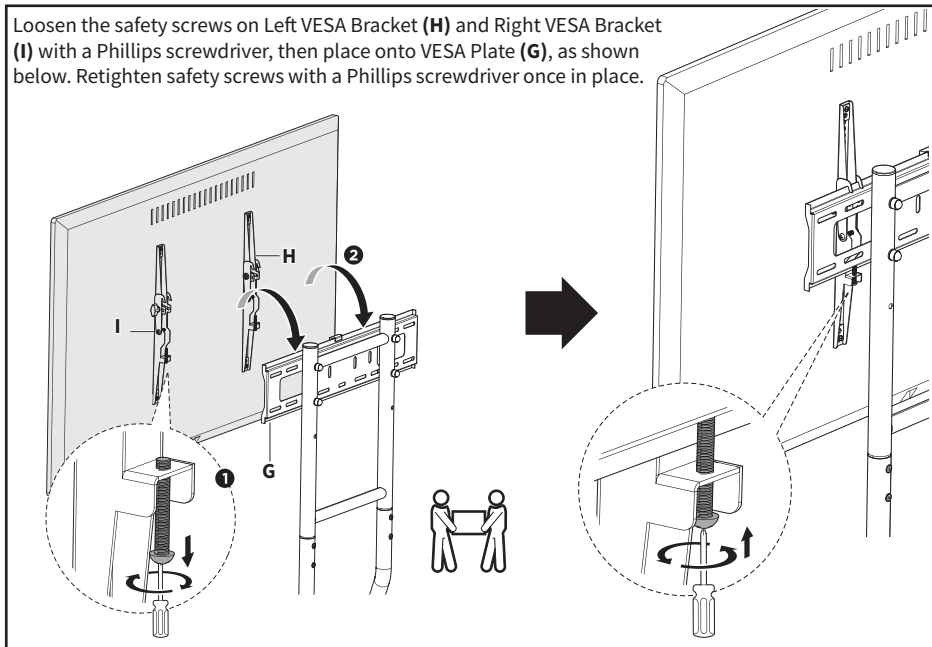
STEP 6

Place Bubble Level (**T-A**) on VESA Plate (**G**). Assemble VESA Plate (**G**) to Upper Support (**C**) in one of two positions as shown below using M8x55mm Screws (**S-B**), M8 Washers (**S-D**), M8 Nuts (**S-E**) and M8 Screw Caps (**S-F**). Secure using 5mm Allen Wrench (**T-C**) and Wrench (**T-D**).



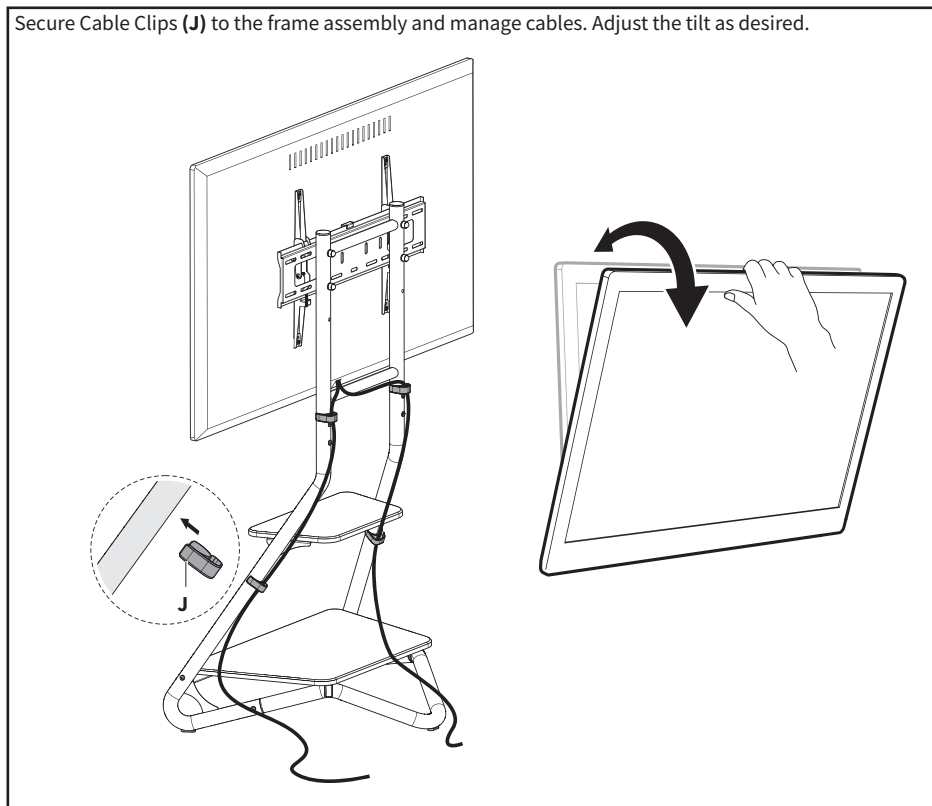
STEP 7

Loosen the safety screws on Left VESA Bracket (**H**) and Right VESA Bracket (**I**) with a Phillips screwdriver, then place onto VESA Plate (**G**), as shown below. Retighten safety screws with a Phillips screwdriver once in place.



STEP 8

Secure Cable Clips (**J**) to the frame assembly and manage cables. Adjust the tilt as desired.





Open **Monday - Friday 7:00am - 7:00pm** CST,

our dedicated support team can offer immediate assistance with rapid response times. If any parts are received damaged or defective, please contact us. We are happy to replace parts to ensure you have a fully functioning product.



309-278-5303

AVG. RESOLUTION TIME (*within office hrs*): **5M 4S**



www.vivo-us.com
Chat live with an agent!

AVG. RESOLUTION TIME (*within office hrs*): **< 15 M**



help@vivo-us.com

AVG. RESPONSE TIME (*within office hrs*): **1HR 8M**

- 23% within < 15m
- 38% within < 30m
- 61% within < 1hr
- 83% within < 2hr
- 92% within < 3hr