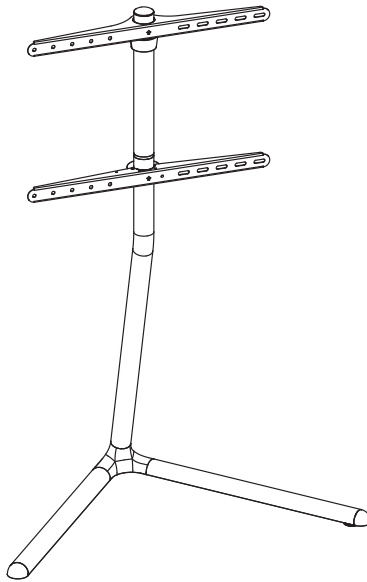


Black V-Base Studio TV Stand

Instruction Manual



SKU: STAND-TV70B



Scan the QR code with your mobile device or follow the link for helpful videos and specifications related to this product.

<https://vivo-us.com/products/stand-tv70b>

GET IN TOUCH | Monday-Friday from 7:00am-7:00pm CST



help@vivo-us.com



www.vivo-us.com
Chat live with an agent!



309-278-5303

⚠️ WARNING!

If you do not understand these directions, or if you have any doubts about the safety of the installation, please call a qualified technician. Check carefully to make sure there are no missing or defective parts. Improper installation may cause damage or serious injury. Do not use this product for any purpose that is not explicitly specified in this manual. Do not exceed weight capacity. We cannot be liable for damage or injury caused by improper mounting, incorrect assembly or inappropriate use.

⚠️ TIPOVER WARNING

SERIOUS OR FATAL CRUSHING INJURIES CAN OCCUR FROM TIPOVER. TO HELP PREVENT TIPOVER:

- NEVER ALLOW CHILDREN TO CLIMB, STAND, HANG, OR PLAY ON ANY PART OF TV OR TV STAND.
- USE TIPOVER RESTRAINT OR ANCHOR STAND TO WALL

USE OF TIPOVER RESTRAINTS MAY ONLY REDUCE, BUT NOT ELIMINATE RISK OF TIPOVER.

⚠️ WARNING: CHOKING HAZARD

SMALL PARTS - NOT FOR CHILDREN UNDER 3 YEARS. ADULT SUPERVISION IS REQUIRED.

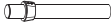
PACKAGE CONTENTS



A (x1)
Leg



F (x2)
Foot Pad



B (x1)
Pole



G (x2)
Cable Cover



C (x2)
Foot



D (x1)
Upper VESA
Bracket



E (x1)
Lower VESA
Bracket



S-A (x4)
M8x12mm
Screw



S-B (x4)
M6x15mm
Screw



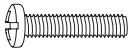
M-A (x4)
M6x14mm
Screw



M-B (x4)
M8x16mm
Screw



M-C (x4)
M6x30mm
Screw



M-D (x4)
M8x35mm
Screw



M-E (x4)
M8 Washer



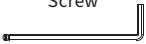
M-F (x4)
5mm Spacer



M-G (x4)
15mm Spacer



T-A (x1)
4mm Allen
Wrench



T-B (x1)
5mm Allen
Wrench



P-A (x1)
Steel Cable



P-B (x2)
Security
Clip



P-C (x2)
Security Cable
Clamp



P-D (x1)
2mm Allen
Wrench



P-E (x4)
ST4.8x38mm
Screw



P-F (x4)
Anchor



P-G (x2)
M5 Washer

NOTE: SOME HARDWARE MAY NOT BE USED

TOOLS NEEDED



DO NOT EXCEED
WEIGHT CAPACITY.

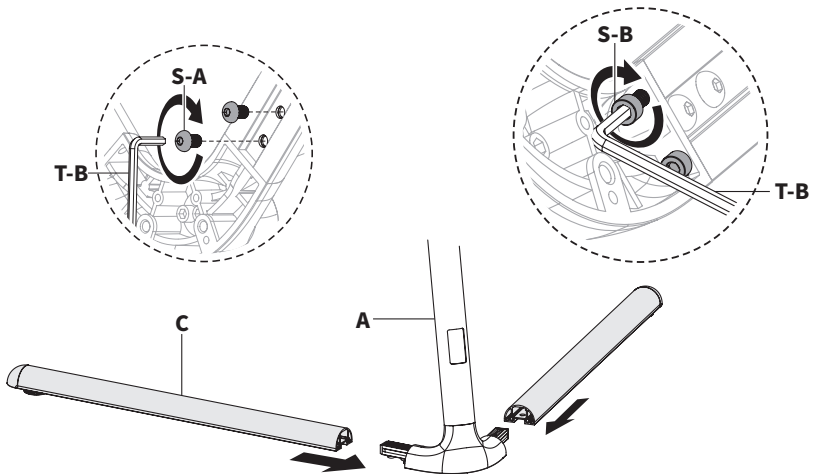
Failure to do so may
result in serious injury.



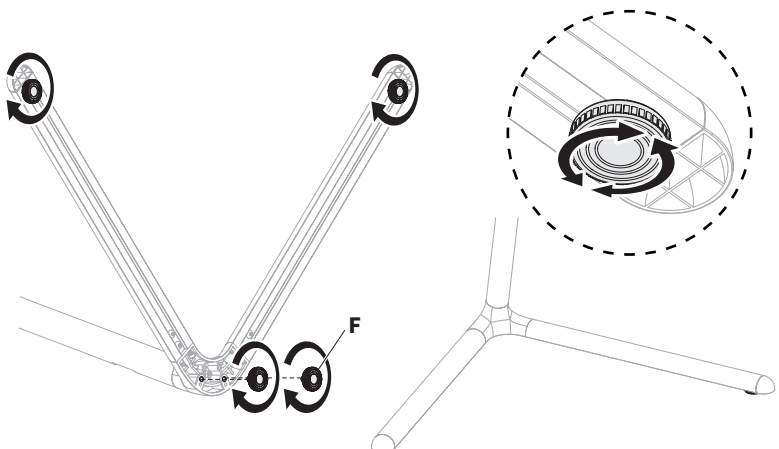
ASSEMBLY STEPS

STEP 1

Slide the Feet (**C**) onto the base of the Leg (**A**). Insert M8x12mm Screws (**S-A**) into the bottom holes of the feet. Tighten with the 5mm Allen Wrench (**T-B**). Insert M6x15mm Screws (**S-B**) through the base into the rear holes of the feet. Tighten with the 5mm Allen Wrench (**T-B**).

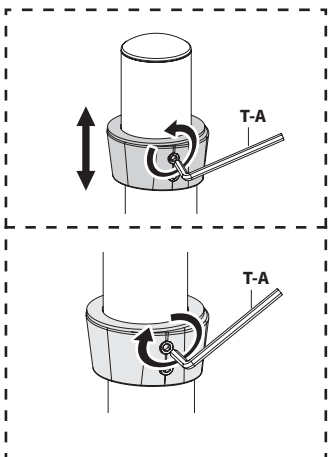
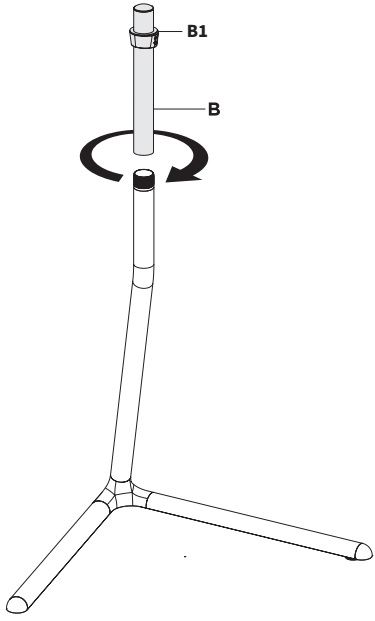


Screw the Foot Pads (**F**) into the base, and adjust foot pads to sit level on the floor.

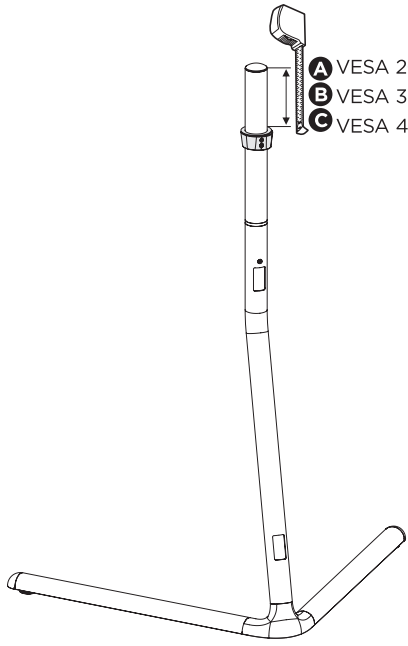


STEP 2

Screw Pole (B) onto Leg (A). Loosen the set screws in Collar (B1) using the 4mm Allen Wrench (T-A). Adjust height of Collar (B1) to the recommended position below the top of the pole based on your TV's VESA mounting hole pattern. Tighten the set screws, making sure they face towards the back of the stand.



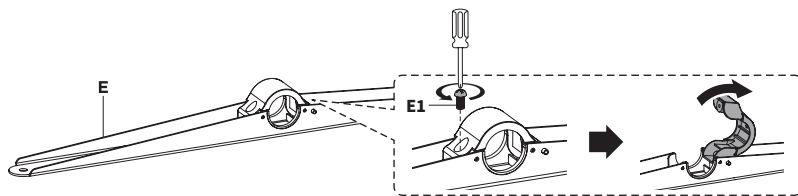
Note: Ensure collar is securely locked before mounting TV.



- A** VESA 200x200/300x200/400x200:90-110mm
- B** VESA 300x300/400x300:100-170mm
- C** VESA 400x400/600x400:50-70mm

STEP 3

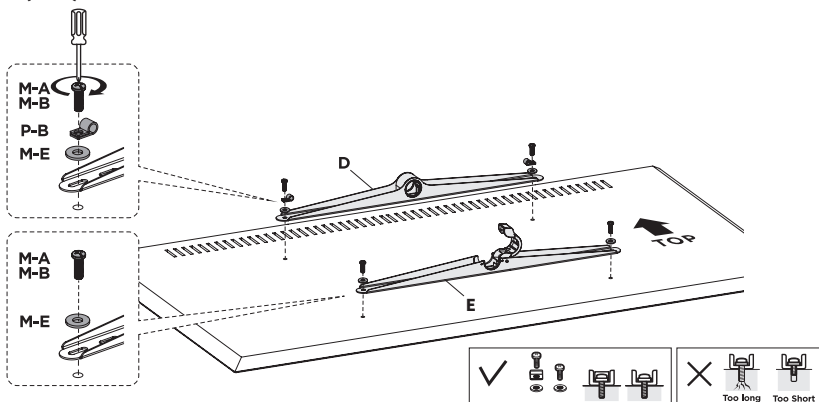
Remove Screw **(E1)** from the lower VESA Bracket **(E)** and open the clamp.



STEP 4

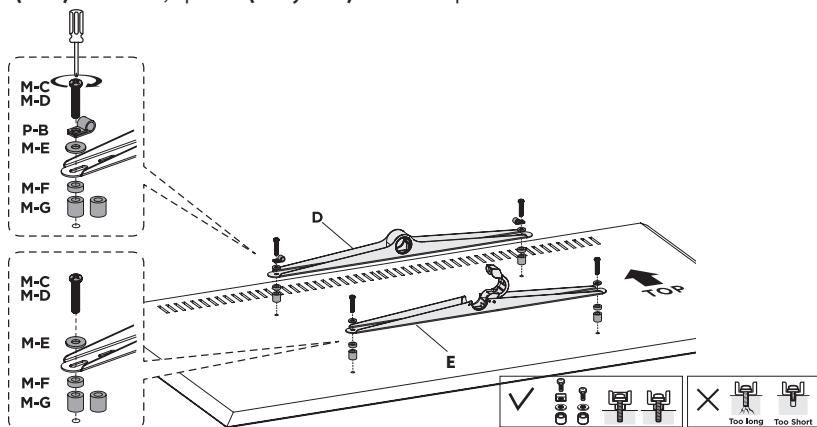
OPTION A: Flat Back TV

Position Upper VESA Bracket **(D)** over top holes on TV and secure with Screws **(M-A or M-B)**, M8 Washers **(M-E)** and Security Clips **(P-B)**. Position Lower VESA Bracket **(E)** on the bottom holes and secure using Screws **(M-A or M-B)** and M8 Washers **(M-E)**.



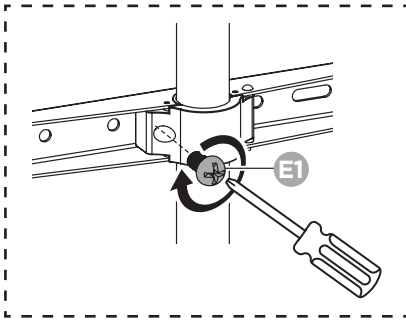
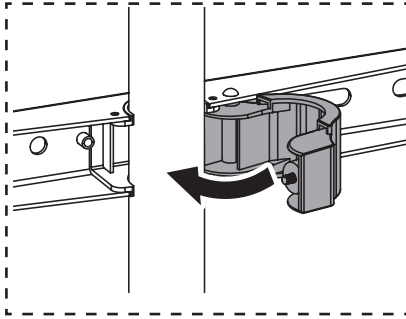
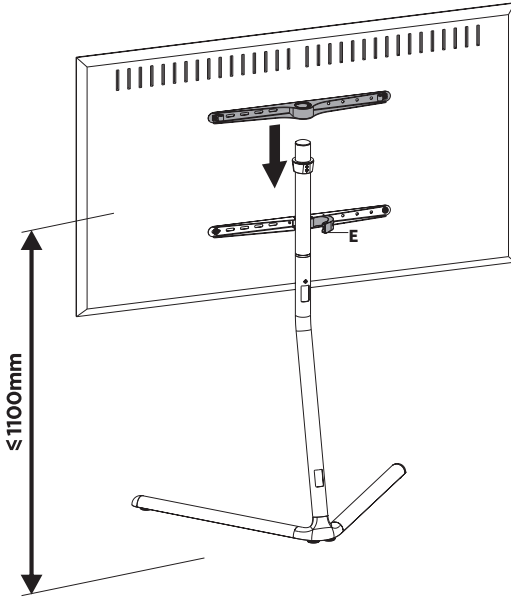
OPTION B: Curved Back TV

Position Upper VESA Bracket **(D)** over top holes on TV and secure with Screws **(M-A or M-B)**, M8 Washers **(M-E)** and Security Clips **(P-B)**. Position Lower VESA Bracket **(E)** on the bottom holes and secure using Screws **(M-A or M-B)** and M8 Washers **(M-E)**. If needed, Spacers **(M-F, M-G)** have been provided.



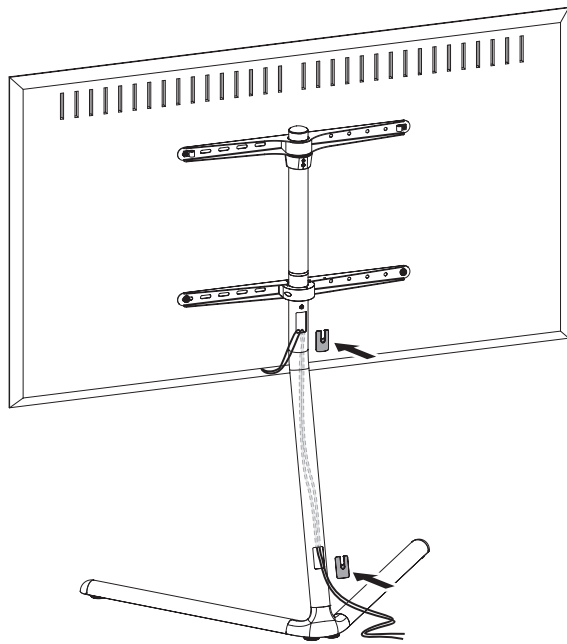
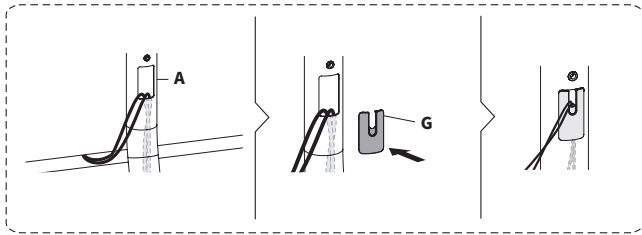
STEP 5

Slide the TV onto assembled stand. Close the clamp on the Lower VESA Bracket (**E**) over the pole and secure with previously removed Screw (**E1**).



STEP 6

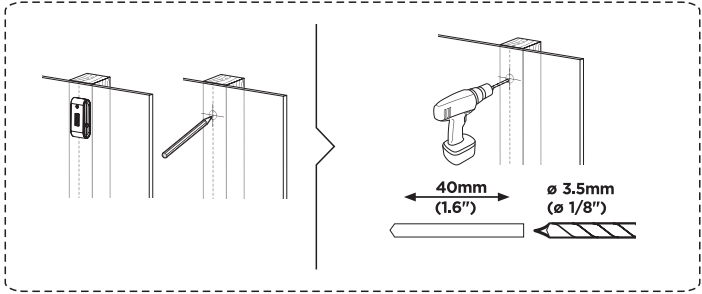
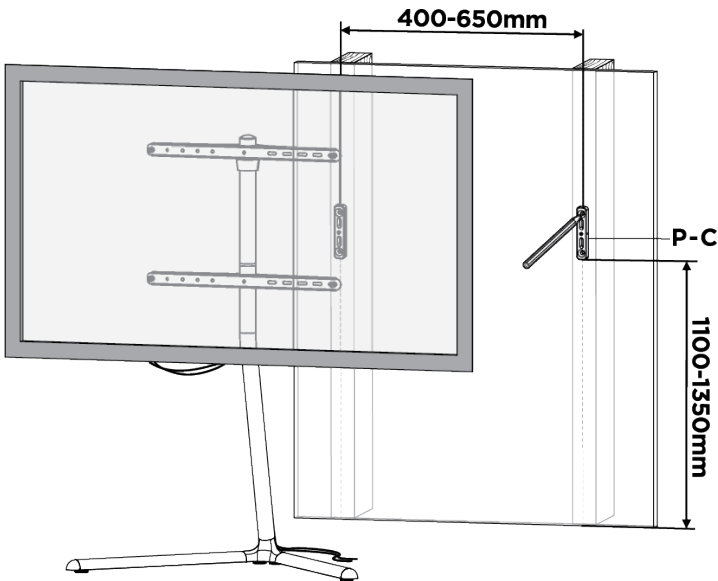
Route cables through the cables holes in the Leg (A). Install Cable Covers (G) to the cables holes, using pliers to break out sections for x2 or x3 cables if needed.



Anchor TV Stand

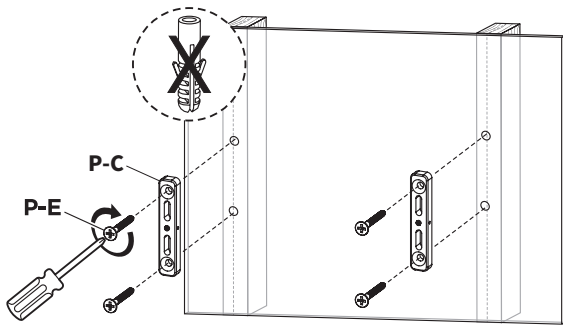
OPTION A: Wood Wall Installation

Using Security Cable Clamps (P-C) as guides, mark drilling locations on the wall. Use of a stud finder is recommended. Drill holes at least 1.6" (40mm) deep using a 1/8" (3.5mm) drill bit.

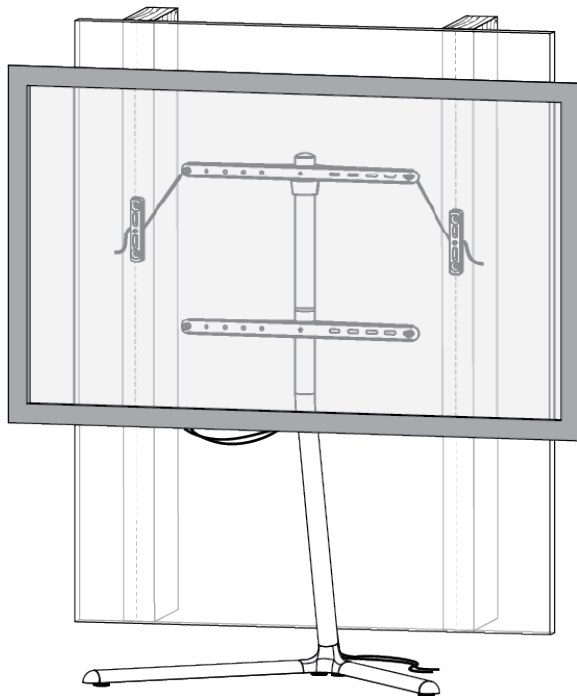
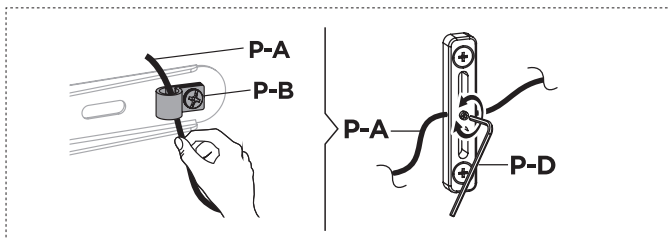


Anchor TV Stand (continued)

Mount Clamps (**P-C**) to the wall using ST4.8 x38mm Screws (**P-E**).

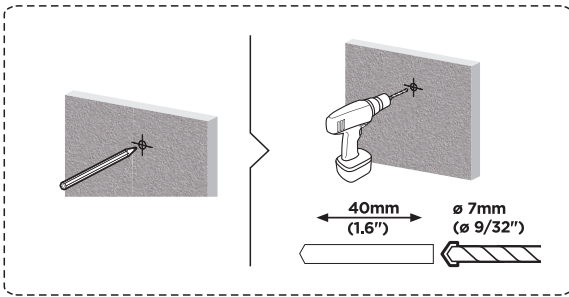
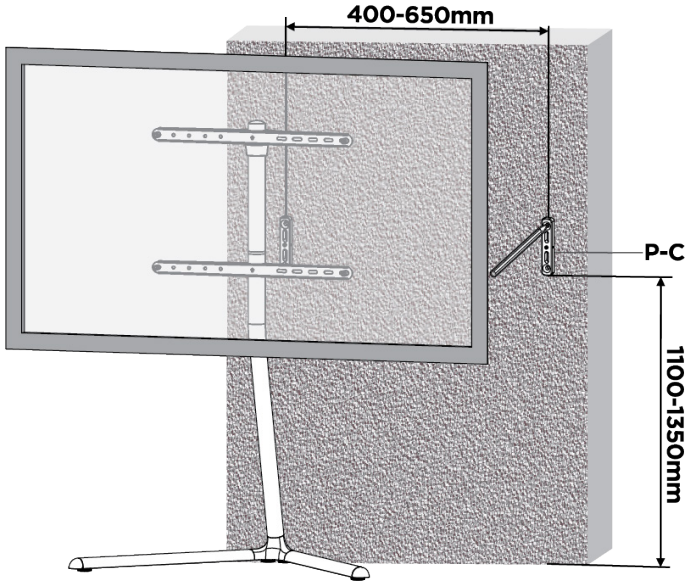


Thread Steel Cable (**P-A**) through the Security Clips (**P-B**) on the TV and center holes in the Cable Clamps as shown, then tighten clamps using the 2mm Allen Wrench (**P-D**).



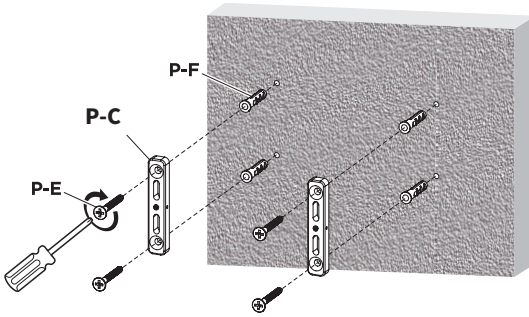
OPTION B: Concrete/Brick Wall Installation

Using Security Cable Clamps (**P-C**) as guides, mark drilling locations on the wall. Drill holes at least 1.6" (40mm) deep using a 9/32" (7mm) drill bit.

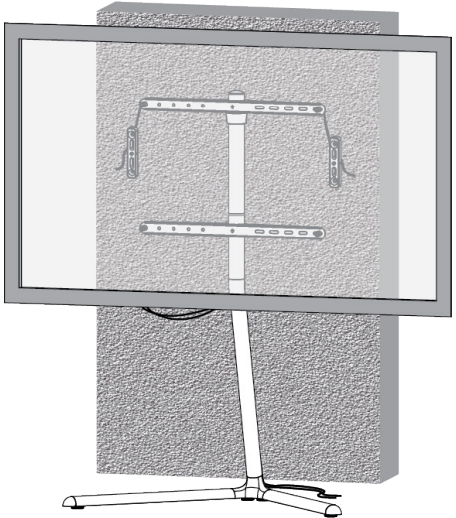
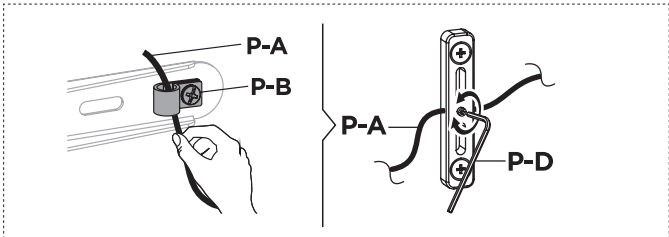


Anchor TV Stand (continued)

Insert Anchors (**P-F**) into the holes and mount Clamps (**P-C**) to the wall using ST4.8 x38mm Screws (**P-E**).



Thread steel cable (**P-A**) through the Security Clips (**P-B**) on the TV and center holes in the cable clamps as shown, then tighten clamps using the 2mm Allen wrench (**P-D**).





Love your new VIVO setup and want to share?
Tag us in your photo! **@vivo_us**

LAST UPDATED: 11/20/2023
REV5.1



Open **Monday - Friday 7:00am - 7:00pm** CST,
our dedicated support team can offer immediate assistance with rapid response times. If any parts are received damaged or defective, please contact us. We are happy to replace parts to ensure you have a fully functioning product.



309-278-5303

AVG. RESOLUTION TIME (*within office hrs*): **5M 4S**



www.vivo-us.com

Chat live with an agent!

AVG. RESOLUTION TIME (*within office hrs*): **< 15 M**



help@vivo-us.com

AVG. RESPONSE TIME (*within office hrs*): **1HR 8M**

- 23% within < 15m
- 38% within < 30m
- 61% within < 1hr
- 83% within < 2hr
- 92% within < 3hr

FOR MORE VIVO PRODUCTS, CHECK OUT OUR WEBSITE AT: www.vivo-us.com