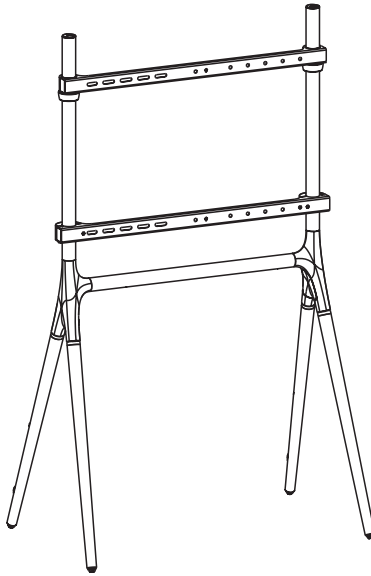




Dark Walnut Easel Studio TV Stand

Instruction Manual



SKU: STAND-TV70A



Scan the QR code with your mobile device or follow the link for helpful videos and specifications related to this product.

<https://vivo-us.com/products/stand-tv70a>

GET IN TOUCH | Monday-Friday from 7:00am-7:00pm CST



help@vivo-us.com



www.vivo-us.com
Chat live with an agent!



309-278-5303

WARNING!

If you do not understand these directions, or if you have any doubts about the safety of the installation, please call a qualified technician. Check carefully to make sure there are no missing or defective parts. Improper installation may cause damage or serious injury. Do not use this product for any purpose that is not explicitly specified in this manual. Do not exceed weight capacity. We cannot be liable for damage or injury caused by improper mounting, incorrect assembly or inappropriate use.

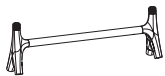
TIPOVER WARNING

SERIOUS OR FATAL CRUSHING INJURIES CAN OCCUR FROM TIPOVER. TO HELP PREVENT TIPOVER:

- NEVER ALLOW CHILDREN TO CLIMB, STAND, HANG, OR PLAY ON ANY PART OF TV OR TV STAND.
- USE TIPOVER RESTRAINT OR ANCHOR STAND TO WALL

USE OF TIPOVER RESTRAINTS MAY ONLY REDUCE, BUT NOT ELIMINATE RISK OF TIPOVER.

PACKAGE CONTENTS



A (x1)
Base



B (x2)
Pole



C (x4)
Leg



D (x1)
Upper VESA
Bracket



E (x1)
Lower VESA
Bracket



F (x6)
ST4.2x12
Screw



G (x6)
Cable Clip



H (x1)
4mm Allen
Wrench



M-A (x4)
M5x14



M-B (x4)
M6x14



M-C (x4)
M6x30



M-D (x4)
M8x30



M-E (x4)
M8x50



M-F (x4)
Metal Spacer



M-G (x8)
Small Spacer



M-H (x8)
Big Spacer



P-A (x1)
Security
Cable



P-B (x2)
Security
Clip



P-C (x2)
Security Cable
Clamp



P-D (x1)
2mm Allen
Wrench



P-E (x4)
ST4.8x38 Screw



P-F (x4)
Concrete Anchor



P-G (x2)
D5 Washer

NOTE: SOME HARDWARE INCLUDED MAY NOT BE USED

WARNING: CHOKING HAZARD

SMALL PARTS - NOT FOR CHILDREN UNDER 3 YEARS. ADULT SUPERVISION IS REQUIRED.

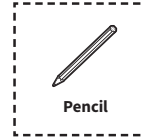
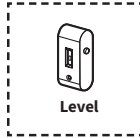
DO NOT EXCEED WEIGHT CAPACITY.

Failure to do so may result in serious injury.



**88lbs
(40kg)**

TOOLS NEEDED



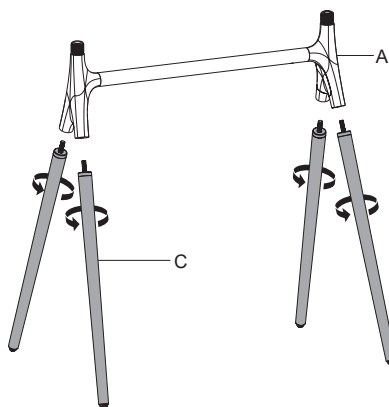
CAUTION!

DO NOT INSTALL INTO DRYWALL ALONE. VERIFY YOUR WALL CONSTRUCTION. USE WOOD STUDS TO MOUNT. We include mounting hardware for brick and concrete walls. If unsure, please contact us at [vivo-us.com](mailto:help@vivo-us.com), email at help@vivo-us.com, or call us at 309-278-5303.

ASSEMBLY STEPS

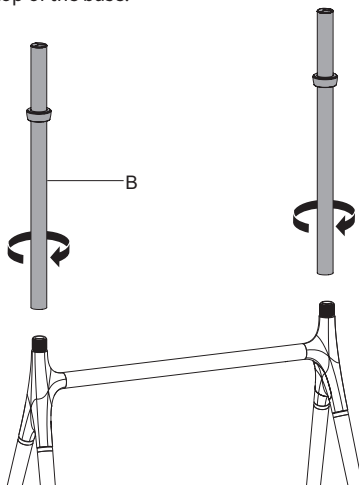
STEP 1

Screw the legs (C) into the base (A).



STEP 2

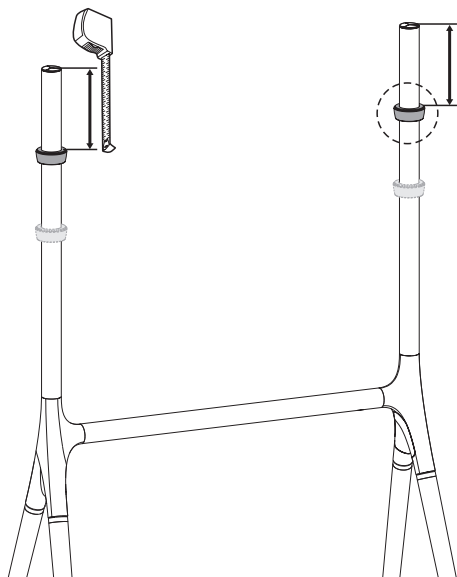
Screw the poles (B) onto the top of the base.



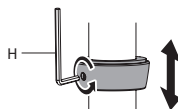
STEP 3

Loosen the support rings on the poles using the 4mm Allen wrench (**H**). Adjust rings to hold TV at desired height, using a tape measure to ensure the rings are adjusted evenly, and tighten with the 4mm Allen wrench (**H**).

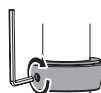
NOTE: Rings should be at least 2" below the tops of the poles.



Recommende d 150 -150 mm

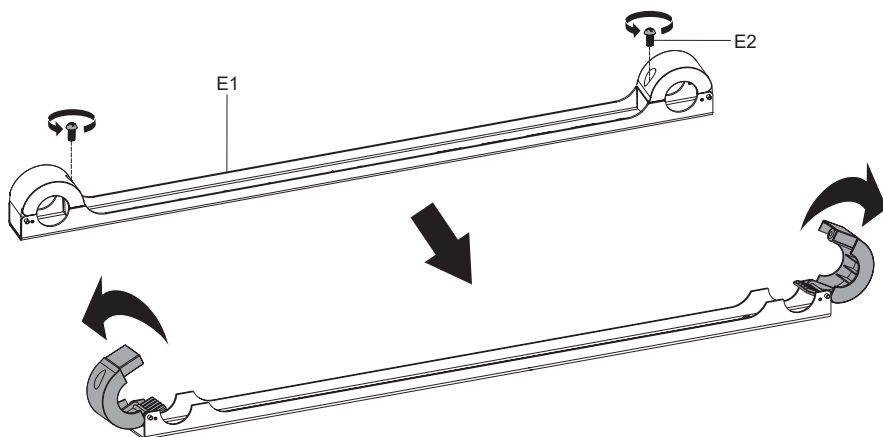
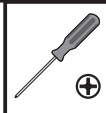


Note: Please secure the locking collar before attaching the TV screen. Make sure the screw holes face backwards.



STEP 4

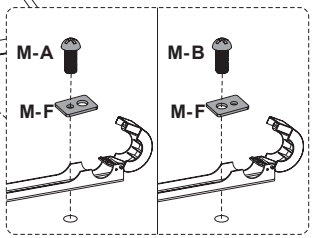
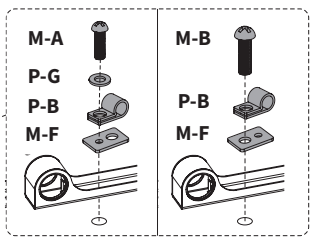
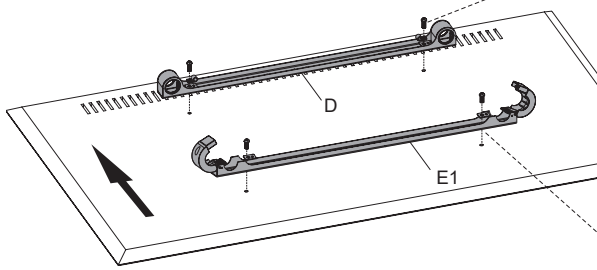
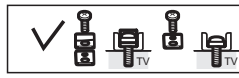
Remove screws from lower VESA bracket (**E**) and open clamps.



STEP 5

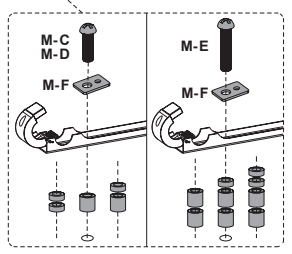
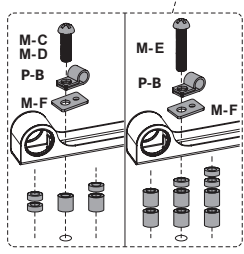
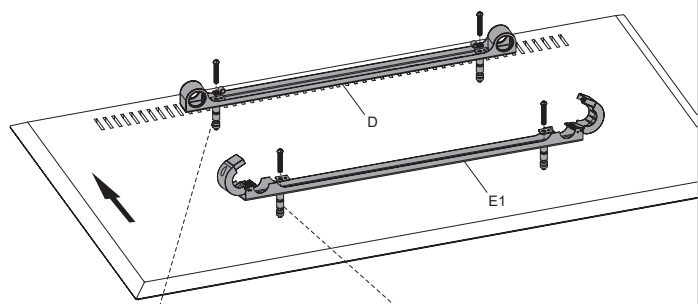
OPTION A: Flat Back Monitor

Position VESA brackets horizontally on the back of the TV, making sure upper VESA bracket (D) is on top and lower VESA bracket (E) is below. Secure using screws (M-A or M-B) with square washers (M-F) and D5 Washers (P-G), with security clips (P-B) installed to top holes.



OPTION B: Curved Back Monitor

Position VESA brackets horizontally on the back of the TV, making sure upper VESA bracket (D) is on top and lower VESA bracket (E) is below. Secure using screws (M-C, M-D or M-E) with square washers (M-F) and spacers (M-G, M-H) with security clips (P-B) installed to top holes.

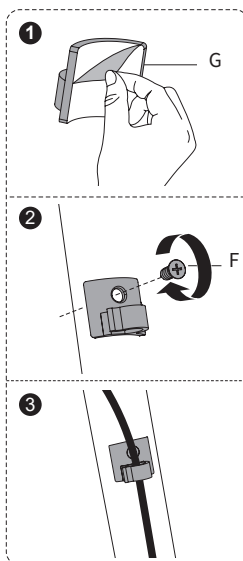
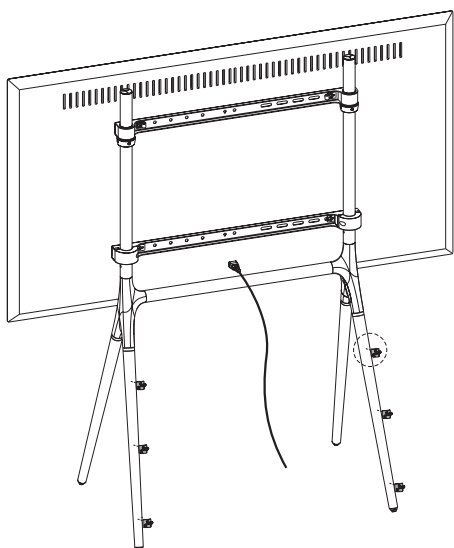
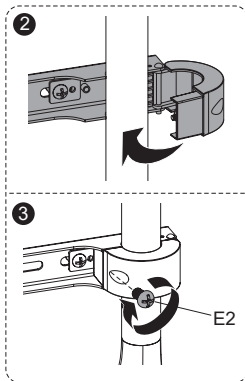
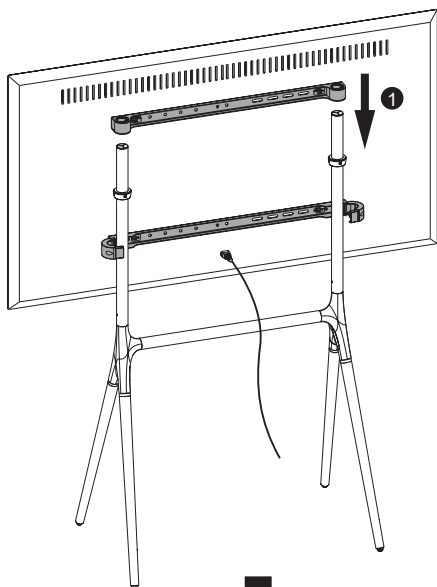


STEP 6

Slide the TV with VESA brackets (**D**, **E**) onto poles. Close the clamps on lower VESA bracket over the poles and secure with previously removed screws.

Peel backing from cable clips (**G**) and install clips on rear legs. Use clips to organize cables.

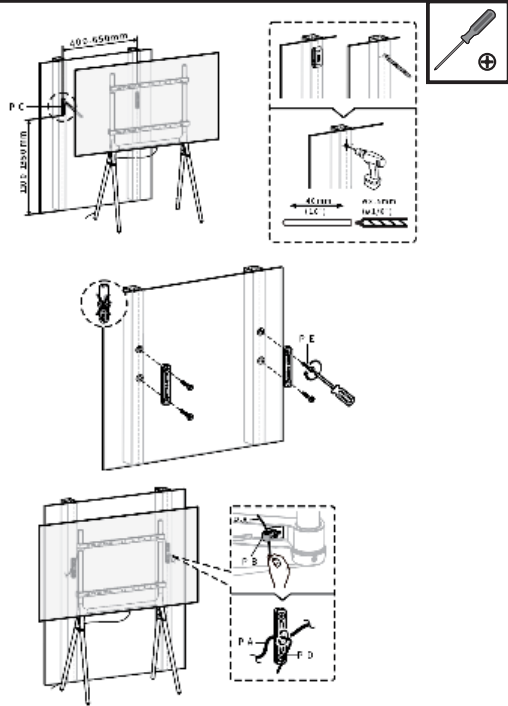
Optional: Secure cable clips using 3/8" screws (**F**). Screws are able to thread directly into wood without drilling pilot holes.



STEP 7

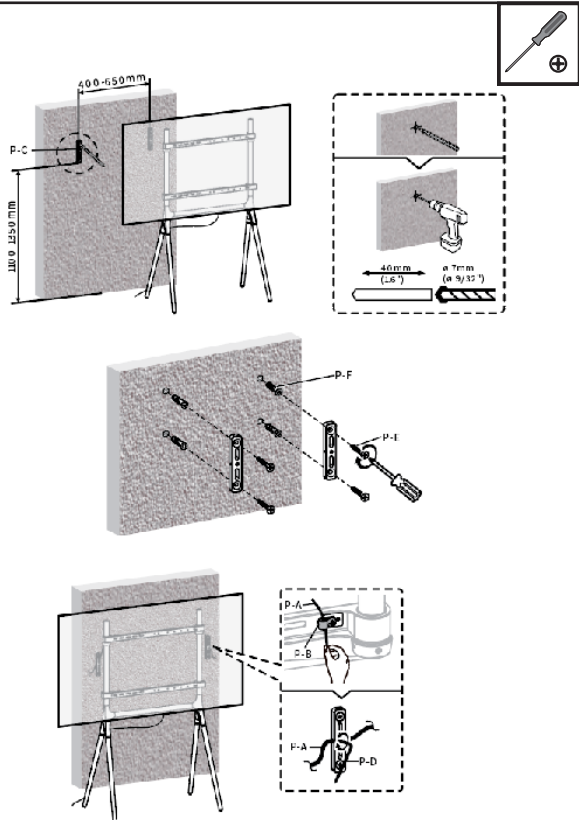
OPTION A: Wood Stud Wall

Using Security Cable Clamps (**P-C**) as guides, mark drilling locations on wall at the same height as the upper VESA bracket. Use of a stud finder is recommended. Drill holes at least 1.6" (40mm) deep using a 1/8" (3mm) drill bit. Mount clamps to wall using ST4.8x38 screws (**P-E**). Thread security cable (**P-A**) through security clips on TV and center holes in cable clamps as shown, then tighten clamps using the 2mm Allen wrench (**P-D**).



OPTION B: Concrete/Brick Wall

Using Security Cable Clamps (**P-C**) as guides, mark drilling locations on wall at the same height as the upper VESA bracket, spaced 400mm - 650mm (16" - 26") apart. Drill holes at least 1.6" (40mm) deep using a 9/32" (7mm) drill bit. Insert concrete anchors (**P-F**) into holes and mount clamps to wall using ST4.8x38 screws (**P-E**). Thread security cable (**P-A**) through security clips on TV and center holes in cable clamps as shown, then tighten clamps using the 2mm Allen wrench (**P-D**).





Open **Monday - Friday 7:00am - 7:00pm** CST,

our dedicated support team can offer immediate assistance with rapid response times. If any parts are received damaged or defective, please contact us. We are happy to replace parts to ensure you have a fully functioning product.



309-278-5303

AVG. RESOLUTION TIME (within office hrs): **5M 4S**



www.vivo-us.com
Chat live with an agent!

AVG. RESOLUTION TIME (within office hrs): **< 15 M**



help@vivo-us.com

AVG. RESPONSE TIME (within office hrs): **1HR 8M**

- 23% within < 15m
- 38% within < 30m
- 61% within < 1hr
- 83% within < 2hr
- 92% within < 3hr