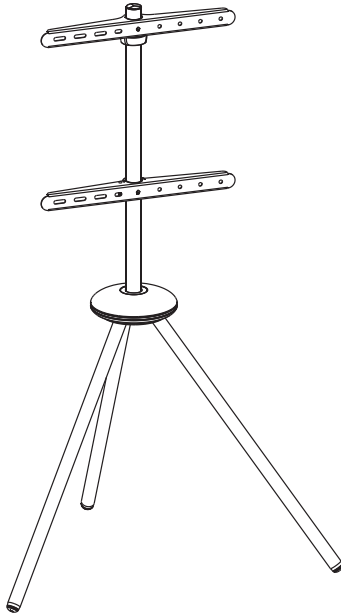




---

## Dark Walnut Foldable Easel Studio TV Stand Instruction Manual



**SKU: STAND-TV65F**



Scan the QR code with your mobile device or follow the link for helpful videos and specifications related to this product.

**<https://vivo-us.com/products/stand-tv65f>**

---

**GET IN TOUCH** | Monday-Friday from 7:00am-7:00pm CST



help@vivo-us.com



www.vivo-us.com  
*Chat live with an agent!*



309-278-5303

# **WARNING!**

If you do not understand these directions, or if you have any doubts about the safety of the installation, please call a qualified technician. Check carefully to make sure there are no missing or defective parts. Improper installation may cause damage or serious injury. Do not use this product for any purpose that is not explicitly specified in this manual. Do not exceed weight capacity. We cannot be liable for damage or injury caused by improper mounting, incorrect assembly or inappropriate use.

## **TIPOVER WARNING**

SERIOUS OR FATAL CRUSHING INJURIES CAN OCCUR FROM TIPOVER. TO HELP PREVENT TIPOVER:


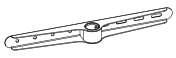
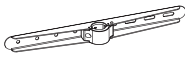

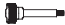
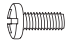
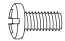

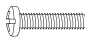


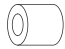

- NEVER ALLOW CHILDREN TO CLIMB, STAND, HANG, OR PLAY ON ANY PART OF TV OR STAND.
- USE TIPOVER RESTRAINT OR ANCHOR STAND TO WALL

**USE OF TIPOVER RESTRAINTS MAY ONLY REDUCE, BUT NOT ELIMINATE RISK OF TIPOVER.**

## **WARNING: CHOKING HAZARD**

SMALL PARTS - NOT FOR CHILDREN UNDER 3 YEARS. ADULT SUPERVISION IS REQUIRED.

# PACKAGE CONTENTS

				
<b>A</b> (x1) Stand	<b>B</b> (x1) Upper VESA Bracket	<b>C</b> (x1) Lower VESA Bracket	<b>D</b> (x1) Travel Bag	
				
<b>S-A</b> (x1) Thumbscrew	<b>M-A</b> (x4) M6x14mm Screw	<b>M-B</b> (x4) M8x16mm Screw	<b>M-C</b> (x4) M6x30mm Screw	<b>M-D</b> (x4) M8x35mm Screw
				
<b>M-E</b> (x4) M8 Washer	<b>M-F</b> (x4) Small Spacer	<b>M-G</b> (x4) Large Spacer	<b>T-A</b> (x1) 4mm Allen Wrench	

**DO NOT EXCEED WEIGHT CAPACITY.**  
Failure to do so may result in serious injury.

**NOTE:** SOME HARDWARE INCLUDED MAY NOT BE USED



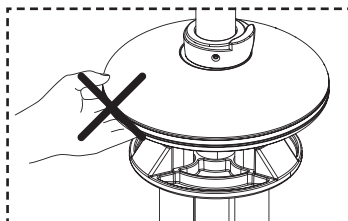
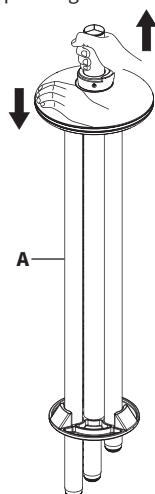
## TOOLS NEEDED



## ASSEMBLY STEPS

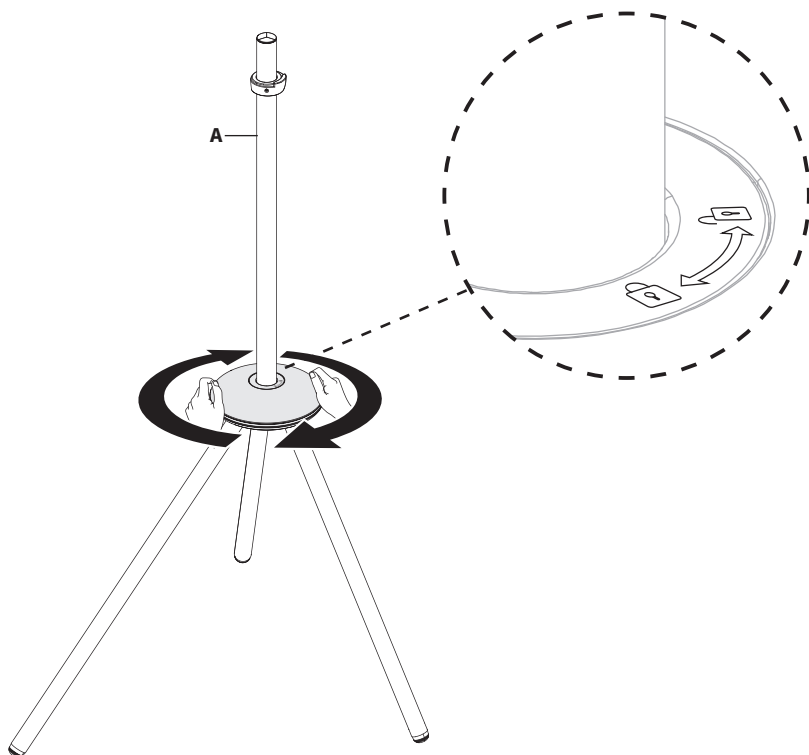
### STEP 1

Open Stand (A) by pressing down on the large disc.



**CAUTION:** Keeps hands clear from locking mechanism when unlocking

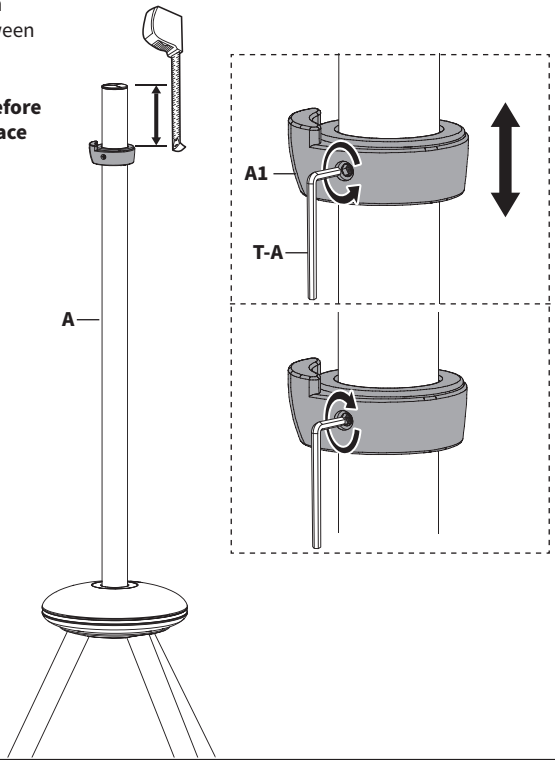
Rotate the large disc on Stand (A) clockwise to lock.



**STEP 2**

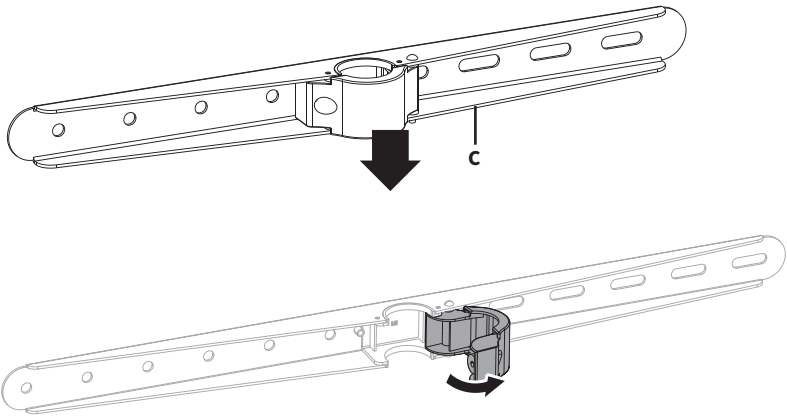
Use 4mm Allen Wrench (**T-A**) to loosen set screw on Locking Collar (**A1**) from Stand (**A**) and adjust placement between 50-80mm/2-3" from top of pole.

**Note: Secure Locking Collar (A1) before mounting TV; screw holes should face back of Stand (A).**



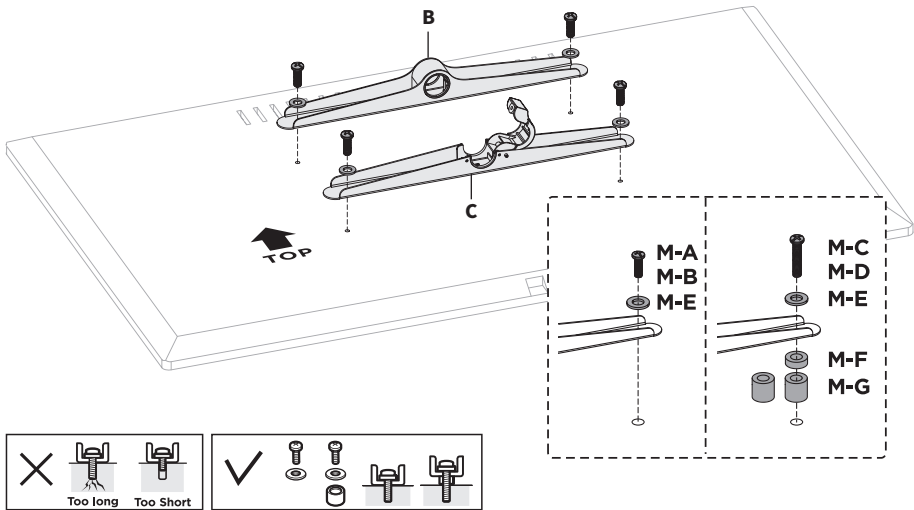
**STEP 3**

Open clamp of Lower VESA Bracket (**C**).



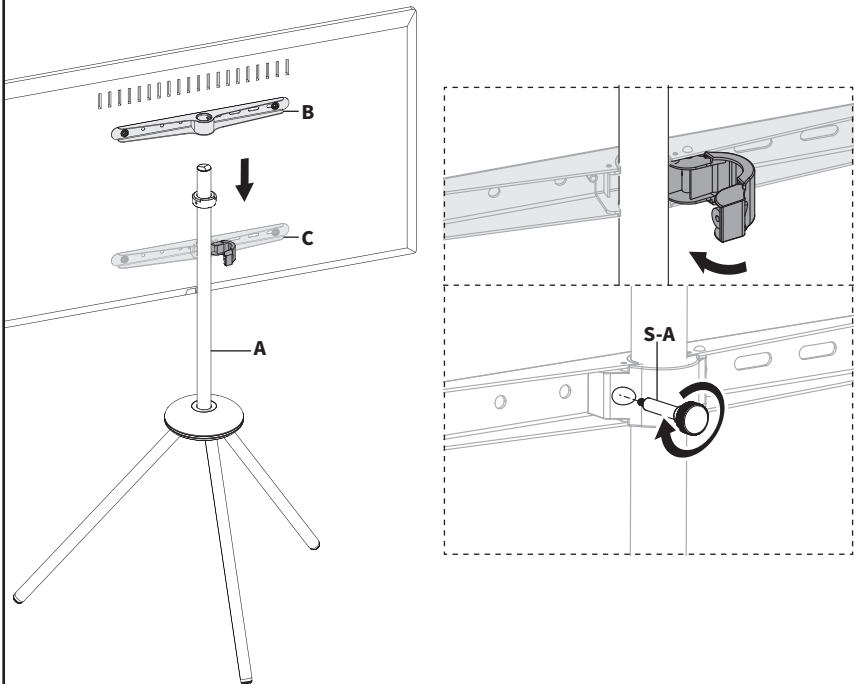
## STEP 4

Position Upper VESA Bracket (**B**) and Lower VESA Bracket (**C**) on back of TV, lining up with VESA pattern. Secure using appropriate Screws (**M-A through M-D**), M8 Washer (**M-E**), Spacers (**M-F, M-G**), and a Phillips screwdriver.



## STEP 5

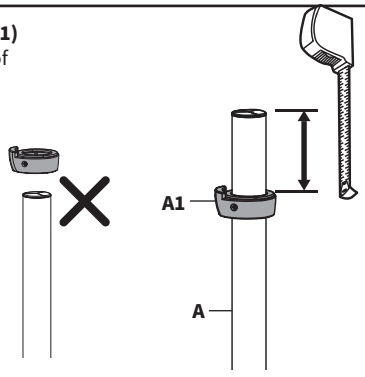
Slide the TV with VESA Brackets (**B, C**) onto Stand (**A**). Close the clamp on Lower VESA Bracket (**C**) over Stand (**A**) pole and secure with Thumbscrew (**S-A**)



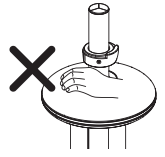
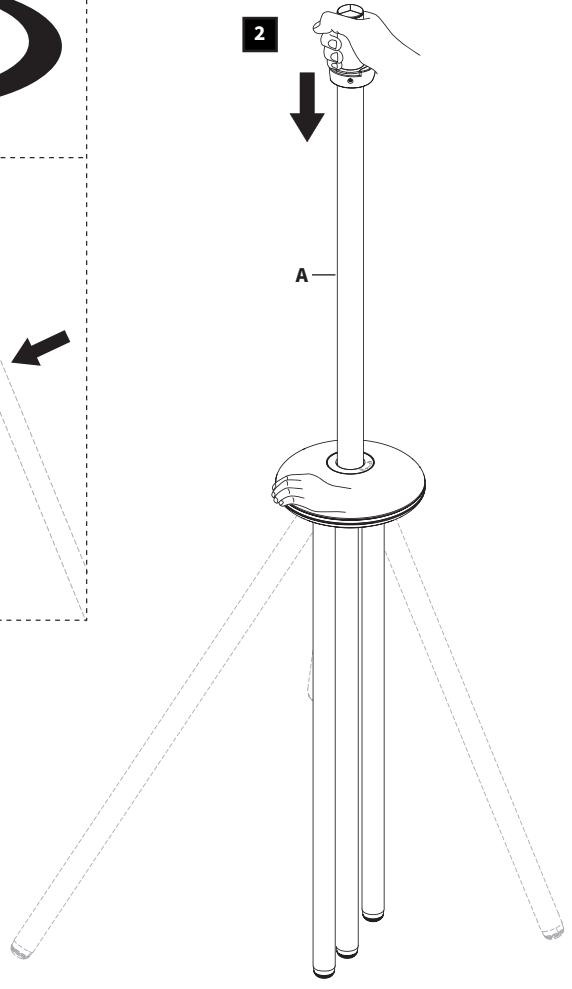
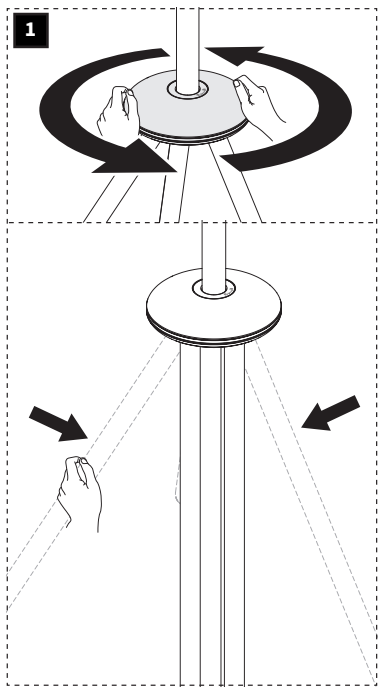
# COLLAPSING/STORING STAND

Remove TV from assembled stand. If the Locking Collar (A1) on Stand (A) is spaced more than 80mm/3" from the top of the pole, adjust between the range of 60-80mm/2.3-3" for easier collapsing.

**Note: Do not remove collar from stand.**



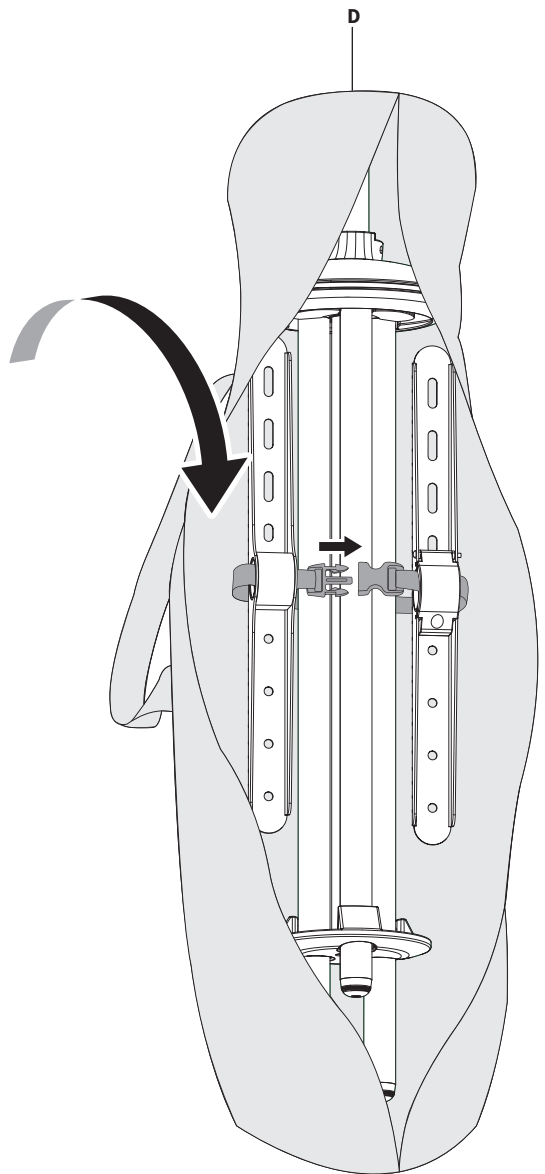
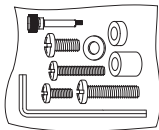
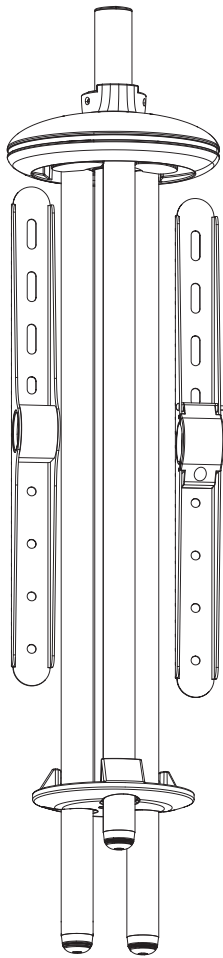
To collapse stand (A), rotate the large disc counter clockwise to unlock. Fold the legs inwards and push the upper pole down through the large disc.



**CAUTION:** Keeps hands clear from locking mechanism when unlocking

# TRAVEL BAG

Place collapsed stand into Travel Bag **(D)** for easy transportation.





Open **Monday - Friday 7:00am - 7:00pm** CST,  
our dedicated support team can offer immediate assistance with rapid response times. If any parts are received damaged or defective, please contact us. We are happy to replace parts to ensure you have a fully functioning product.



309-278-5303

**AVG. RESOLUTION TIME** (*within office hrs*): **5M 4S**



[www.vivo-us.com](http://www.vivo-us.com)  
*Chat live with an agent!*

**AVG. RESOLUTION TIME** (*within office hrs*): **< 15 M**



[help@vivo-us.com](mailto:help@vivo-us.com)

**AVG. RESPONSE TIME** (*within office hrs*): **1HR 8M**

- 23% within < 15m
- 38% within < 30m
- 61% within < 1hr
- 83% within < 2hr
- 92% within < 3hr