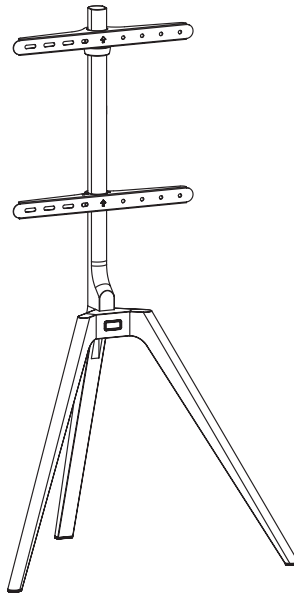




Solid Wood TV Floor Stand

Instruction Manual



SKU: STAND-TV65C



Scan the QR code with your mobile device or follow the link for helpful videos and specifications related to this product.

<https://vivo-us.com/products/stand-tv65c>

GET IN TOUCH | Monday-Friday from 7:00am-7:00pm CST



help@vivo-us.com

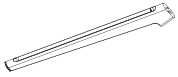


www.vivo-us.com
Chat live with an agent!



309-278-5303

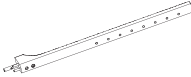
PACKAGE CONTENTS



A (x1)
Center Leg



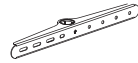
B (x2)
Side Leg



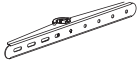
C (x1)
Pole



D (x1)
Center Brace



E (x1)
Upper VESA Bracket



F (x1)
Lower VESA Bracket



G (x1)
Cover



H (x1)
Collar



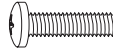
M-A (x4)
M6x14mm Screw



M-B (x4)
M8x16mm Screw



M-C (x4)
M6x30mm Screw



M-D (x4)
M8x35mm Screw



M-E (x4)
M8 Washer



M-F (x4)
Small Spacer



M-G (x4)
Big Spacer



P-A (x1)
Security Cable



P-B (x2)
Security Clip



P-C (x1)
Security Bracket



P-D (x2)
Security Cable
Clamp



P-E (x1)
ST4.8x38mm
Screw



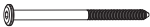
P-F (x1)
Anchor



P-G (x2)
M5 Washer



S-A (x3)
M6x70mm
Screw



S-B (x1)
M6x90mm
Screw



S-C (x1)
M45.5 Spacer



S-D (x1)
M6x30mm
Screw



T-A (x1)
4mm Allen
Wrench

NOTE: SOME HARDWARE INCLUDED MAY NOT BE USED



WARNING!

If you do not understand these directions, or if you have any doubts about the safety of the installation, please call a qualified technician. Check carefully to make sure there are no missing or defective parts. Improper installation may cause damage or serious injury. Do not use this product for any purpose that is not explicitly specified in this manual. Do not exceed weight capacity. We cannot be liable for damage or injury caused by improper mounting, incorrect assembly or inappropriate use.



WARNING: CHOKING HAZARD

SMALL PARTS - NOT FOR CHILDREN UNDER 3 YEARS. ADULT SUPERVISION IS REQUIRED.



TIPOVER WARNING

SERIOUS OR FATAL CRUSHING INJURIES CAN OCCUR FROM TIPOVER. TO HELP PREVENT TIPOVER:

- NEVER ALLOW CHILDREN TO CLIMB, STAND, HANG, OR PLAY ON ANY PART OF TV OR STAND.
- USE TIPOVER RESTRAINT OR ANCHOR STAND TO WALL

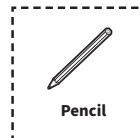
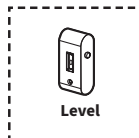
USE OF TIPOVER RESTRAINTS MAY ONLY REDUCE, BUT NOT ELIMINATE RISK OF TIPOVER.



DO NOT EXCEED WEIGHT CAPACITY.

Failure to do so may result in serious injury.

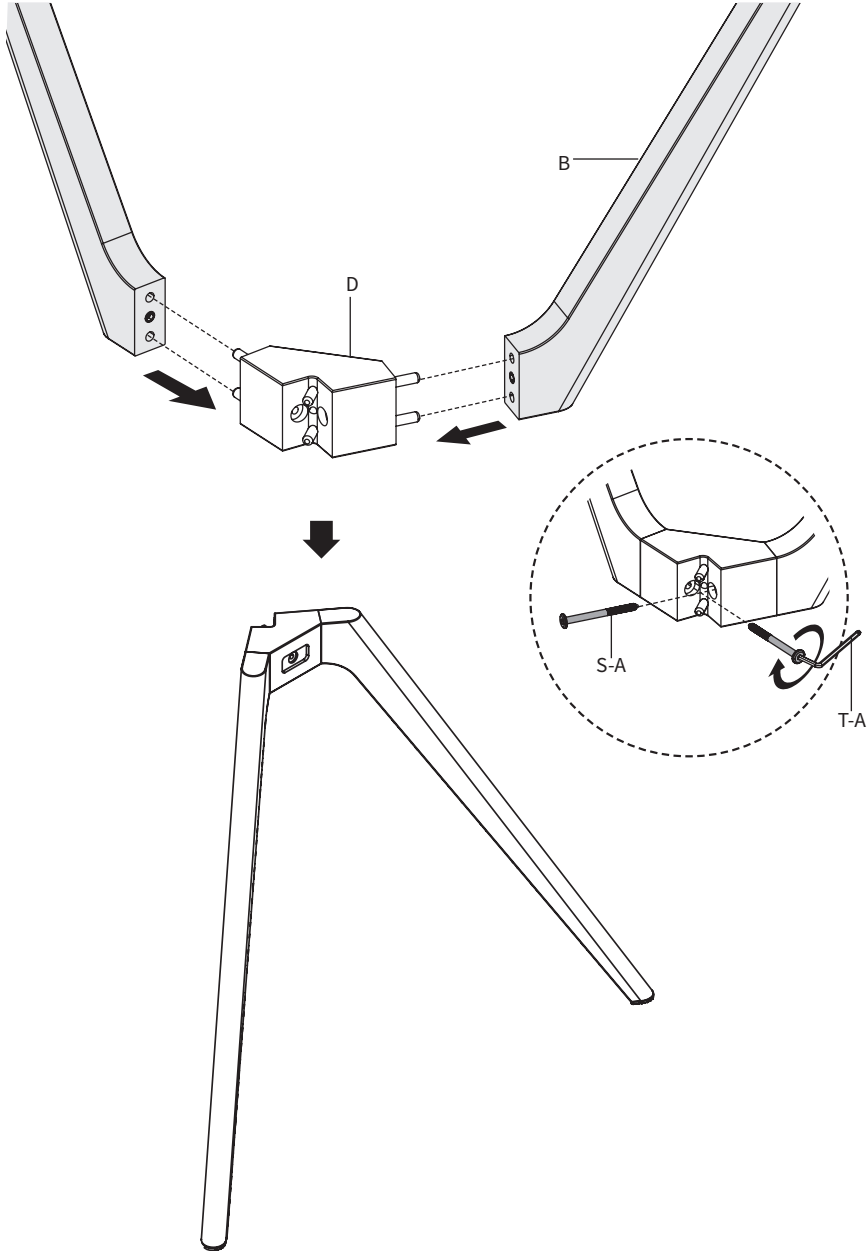
TOOLS NEEDED



ASSEMBLY STEPS

STEP 1

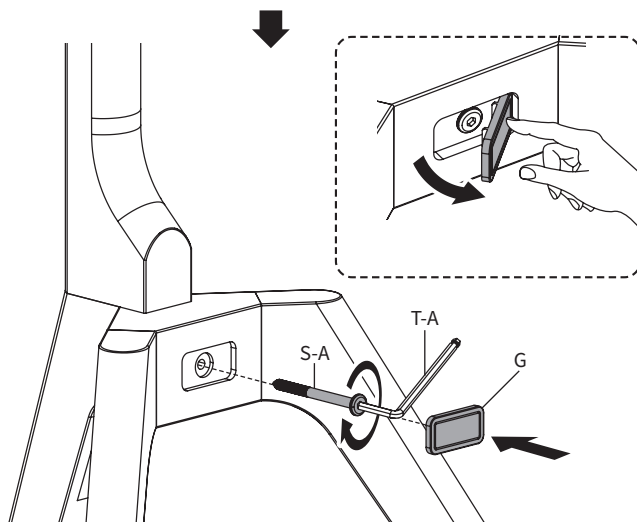
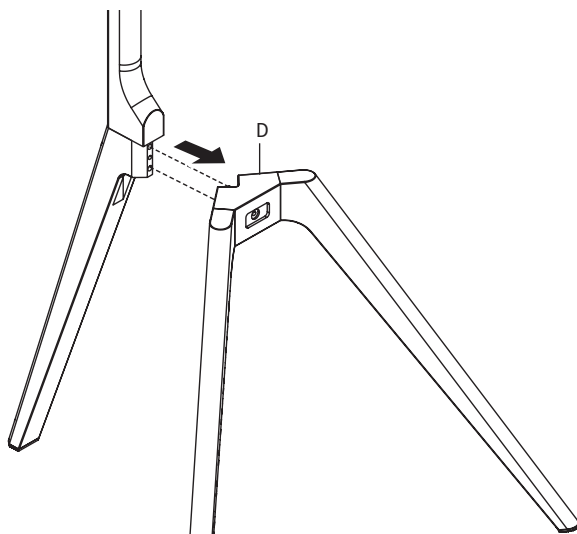
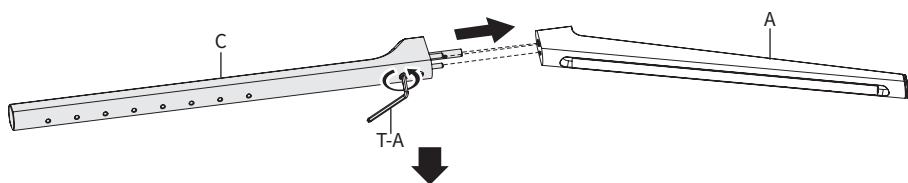
Assemble Side Legs **(B)** to Center Brace **(D)** using M6x70mm Screws **(S-A)** and 4mm Allen Wrench **(T-A)**.



STEP 2

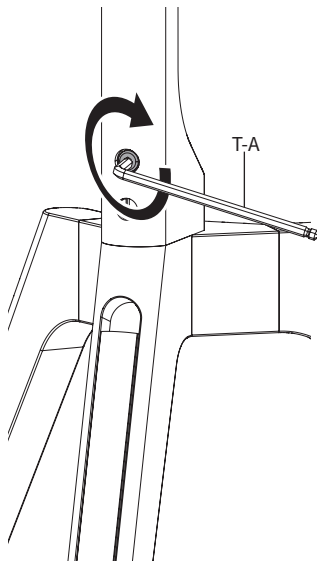
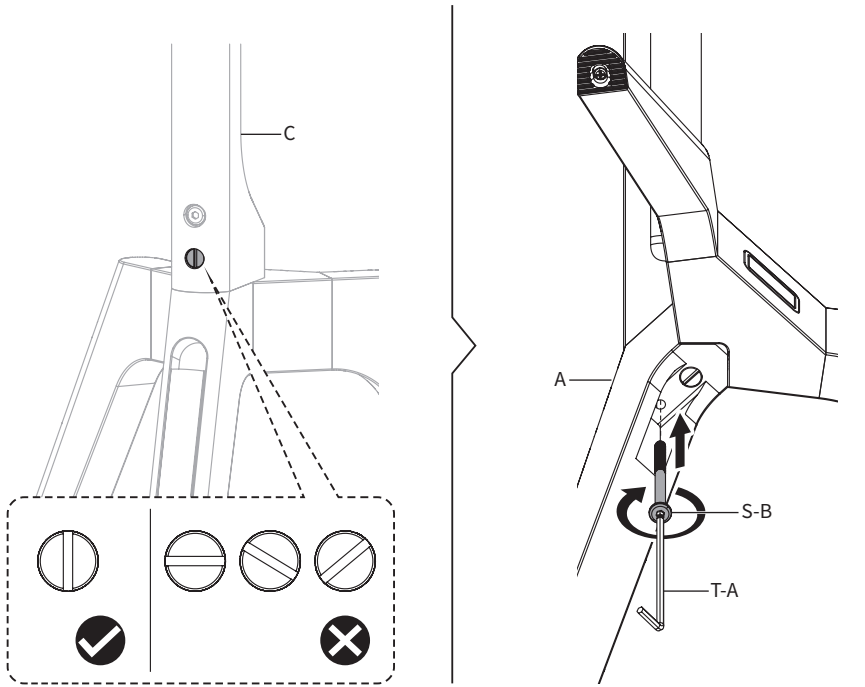
Loosen the screw on the back of Pole (C) using 4mm Allen Wrench (T-A) and connect Pole (C) to Center Leg (A). Assemble Center Leg (A) to Center Brace (D) using M6x70mm Screw (S-A) and 4mm Allen Wrench (T-A). Attach Cover (G) to the assembly.

NOTE: To remove Cover (G), press on the right side.



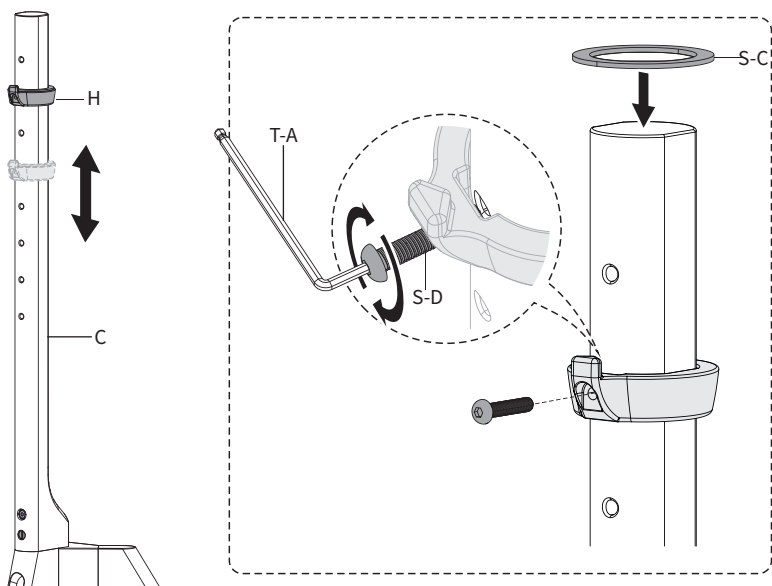
STEP 3

Ensure that the flathead screw in the back of Pole (C) is positioned vertically as shown below. Thread M6x90mm Screw (S-B) into the bottom of Center Leg (A) using 4mm Allen Wrench (T-A). Retighten the screw in the back of Pole (C) using 4mm Allen Wrench (T-A).



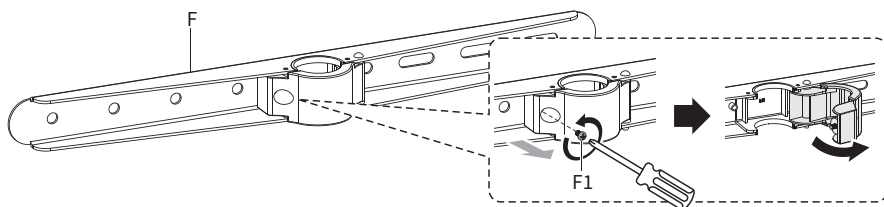
STEP 4

Slide Collar (**H**) and M45.5 Spacer (**S-C**) over Pole (**C**) and secure it in the desired location using M6x30mm Screw (**S-D**) and 4mm Allen Wrench (**T-A**).



STEP 5

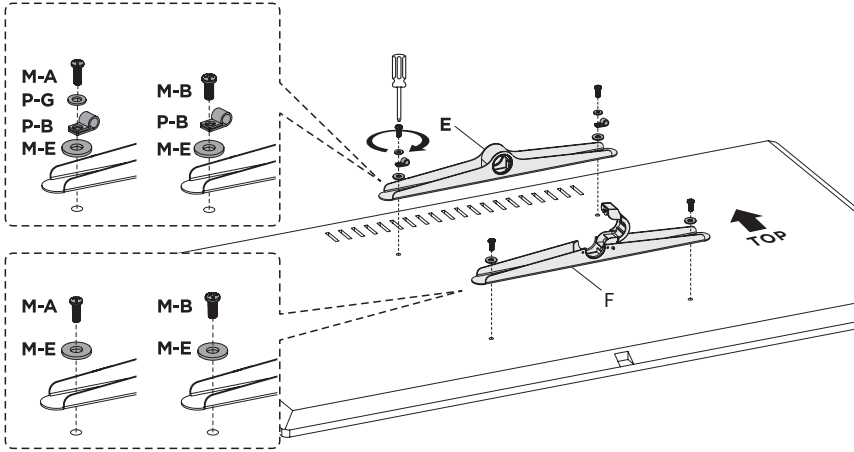
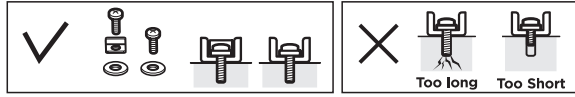
Remove the Security Screw (**F1**) from Lower VESA Bracket (**F**) and open the clamp.



STEP 6

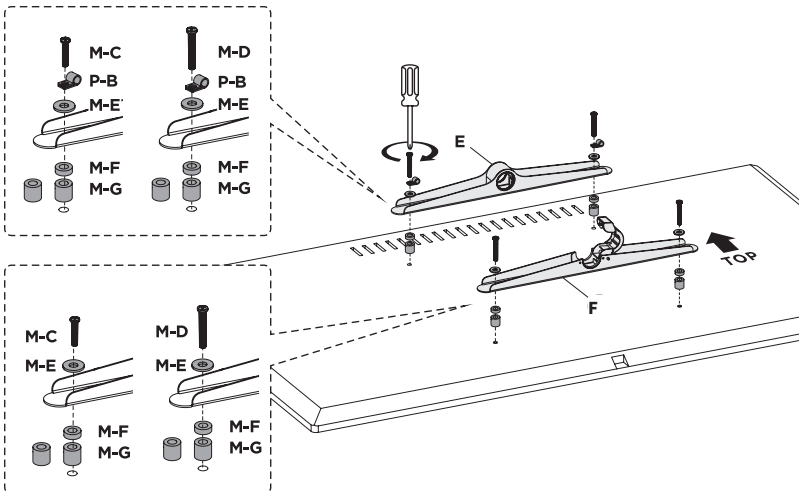
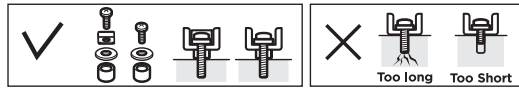
OPTION A: Flat Back Monitor

Position VESA brackets horizontally on the back of the TV, making sure Upper VESA Bracket (E) is on top and Lower VESA Bracket (F) is below. Secure using Screws (M-A or M-B) with M8 Washers (M-E), M5 Washers (P-G), and Security Clips (P-B) installed to top holes.



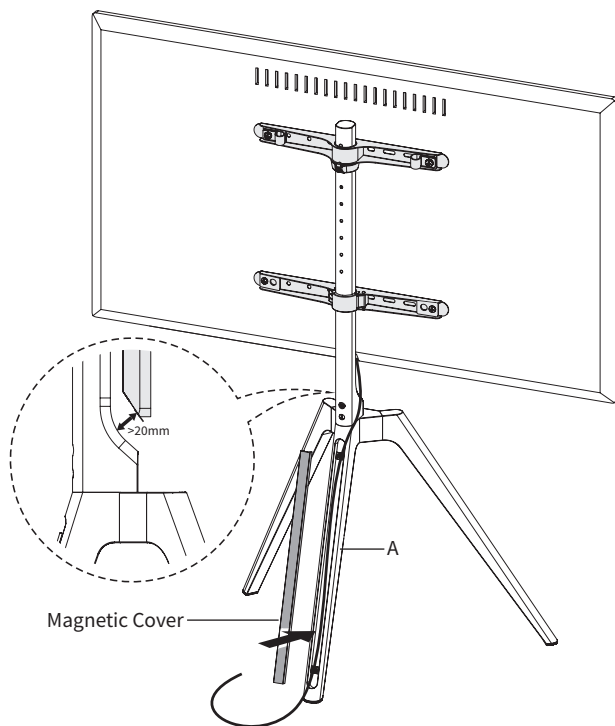
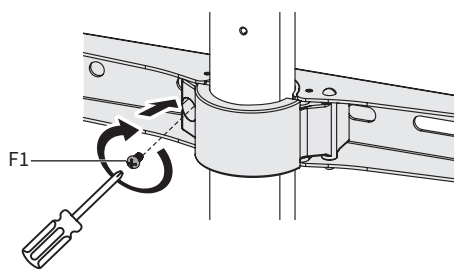
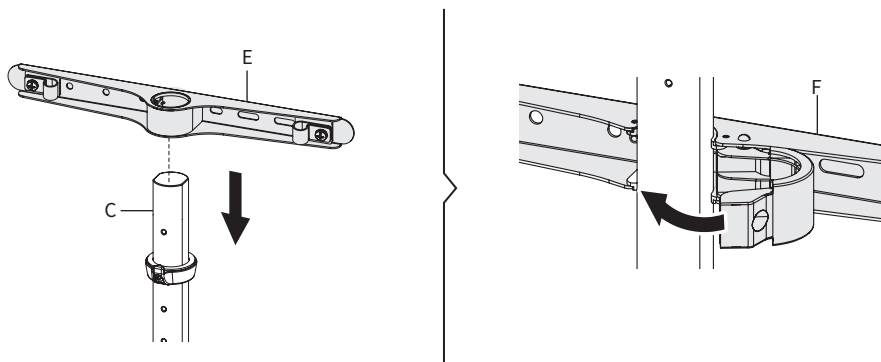
OPTION B: Curved Back Monitor

Position VESA brackets horizontally on the back of the TV, making sure Upper VESA Bracket (E) is on top and Lower VESA Bracket (F) is below. Secure using Screws (M-C or M-D) with M8 Washers (M-E) and Spacers (M-F, M-G) with Security Clips (P-B) installed to top holes.



STEP 7

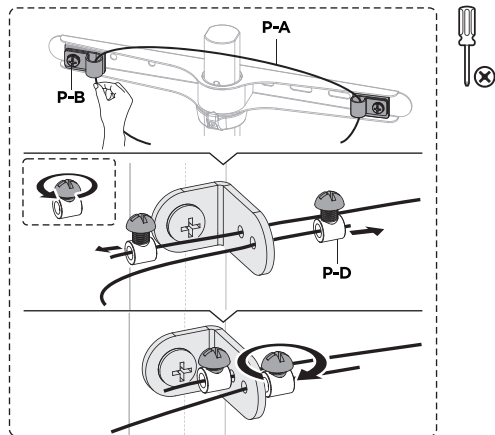
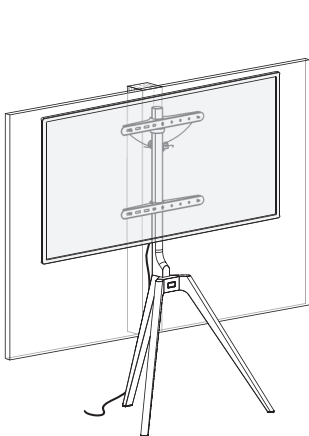
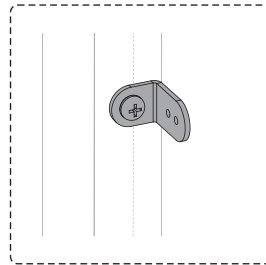
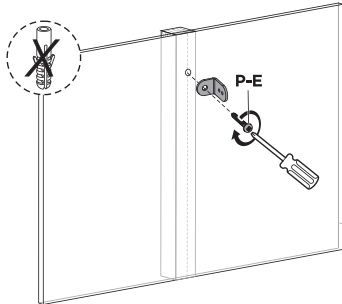
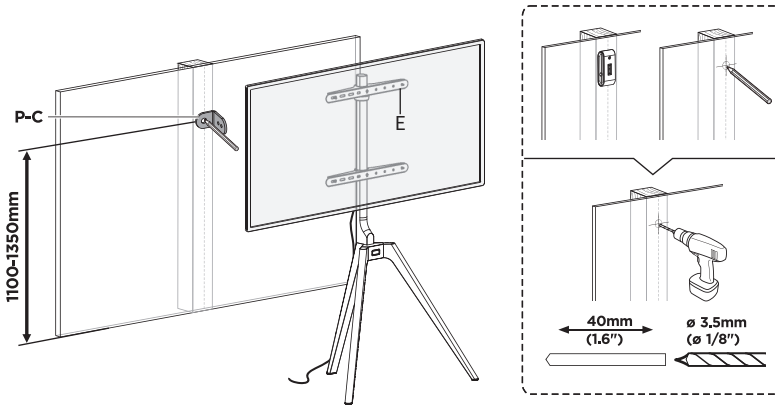
Slide the TV with VESA Brackets (**E, F**) onto Pole (**C**), letting Upper VESA Bracket (**E**) rest on Collar (**H**). Close the clamp on Lower VESA Bracket over Pole (**C**) and secure with previously removed Security Screw (**F1**). Remove the magnetic cable channel cover on the back of Center Leg (**A**) and route cables.



STEP 8 (Option A)

Wood Stud Wall

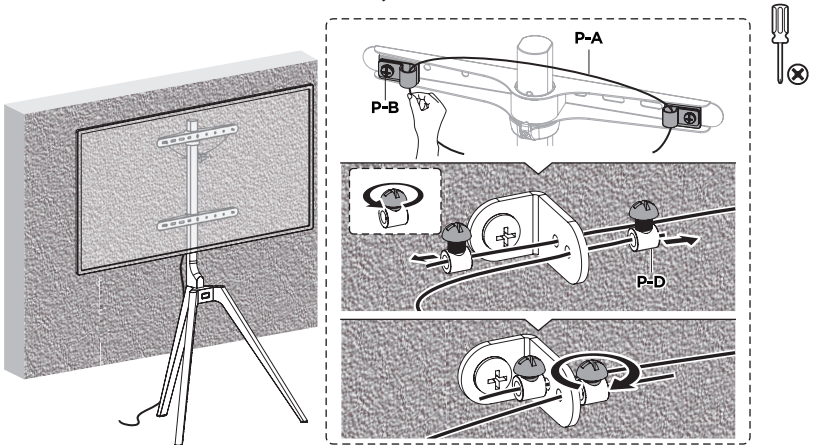
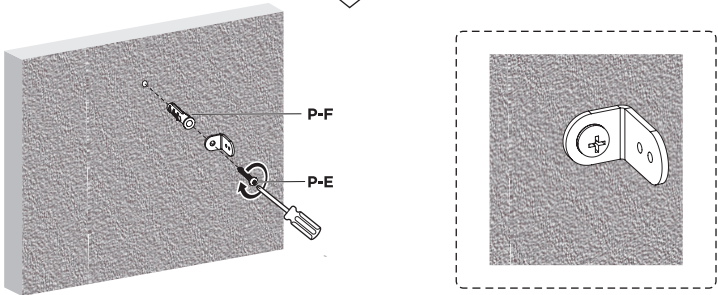
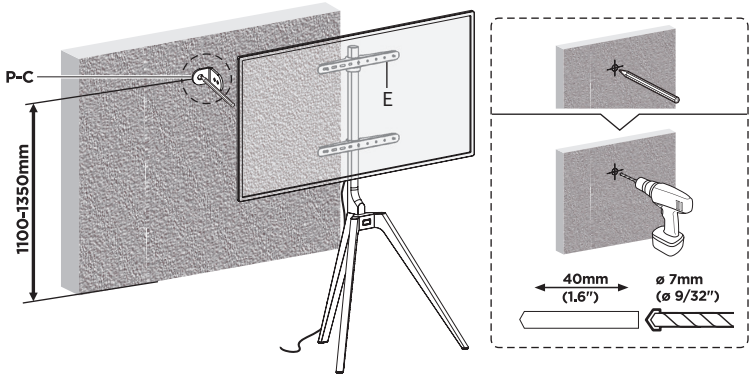
Using Security Bracket (P-C) as a guide, mark the drilling location on wall at the same height as the upper VESA bracket. Use of a stud finder is recommended. Drill the hole at least 1.6" (40mm) deep using a 1/8" (3.5mm) drill bit. Mount clamp to wall using ST4.8x38mm Screws (P-E). Thread Security Cable (P-A) through Security Clips (P-B) on TV and center holes in Security Brackets (P-C) as shown, then tighten Security Cable Clamps (P-D) with a Phillips screwdriver.



STEP 8 (Option B)

Concrete/Brick Wall

Using Security Bracket (P-C) as a guide, mark the drilling location on wall at the same height as Upper VESA Bracket (E). Drill the hole at least 40mm (1.6") deep using a 7mm (9/32") drill bit. Mount Security Bracket (P-C) to wall using Anchor (P-F) and ST4.8x38mm Screw (P-E). Thread Security Cable (P-A) through Security Clips (P-B) on TV and center holes in Security Brackets (P-C) as shown, then tighten Security Cable Clamps (P-D) using a Phillips screwdriver.





Open **Monday - Friday 7:00am - 7:00pm** CST,
our dedicated support team can offer immediate assistance with rapid response times. If any parts are received damaged or defective, please contact us. We are happy to replace parts to ensure you have a fully functioning product.



309-278-5303

AVG. RESOLUTION TIME (*within office hrs*): **5M 4S**



www.vivo-us.com
Chat live with an agent!

AVG. RESOLUTION TIME (*within office hrs*): **< 15 M**



help@vivo-us.com

AVG. RESPONSE TIME (*within office hrs*): **1HR 8M**

- 23% within < 15m
- 38% within < 30m
- 61% within < 1hr
- 83% within < 2hr
- 92% within < 3hr