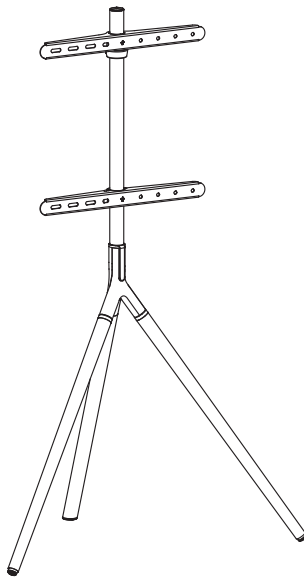




Black Easel Studio TV Stand Instruction Manual



SKU: STAND-TV65B



Scan the QR code with your mobile device or follow the link for helpful videos and specifications related to this product.

<https://vivo-us.com/products/stand-tv65b>

GET IN TOUCH | Monday-Friday from 7:00am-7:00pm CST



help@vivo-us.com



www.vivo-us.com
Chat live with an agent!



309-278-5303

⚠️ WARNING!

If you do not understand these directions, or if you have any doubts about the safety of the installation, please call a qualified technician. Check carefully to make sure there are no missing or defective parts. Improper installation may cause damage or serious injury. Do not use this product for any purpose that is not explicitly specified in this manual. Do not exceed weight capacity. We cannot be liable for damage or injury caused by improper mounting, incorrect assembly or inappropriate use.

⚠️ TIPOVER WARNING

SERIOUS OR FATAL CRUSHING INJURIES CAN OCCUR FROM TIPOVER. TO HELP PREVENT TIPOVER:

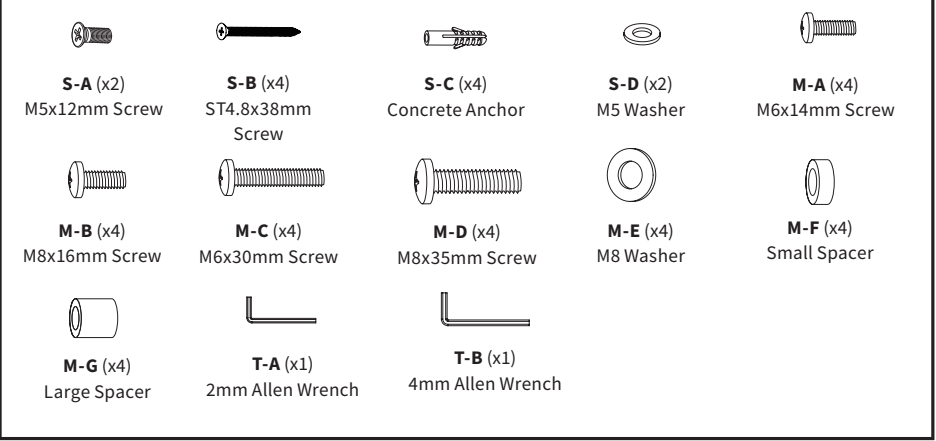
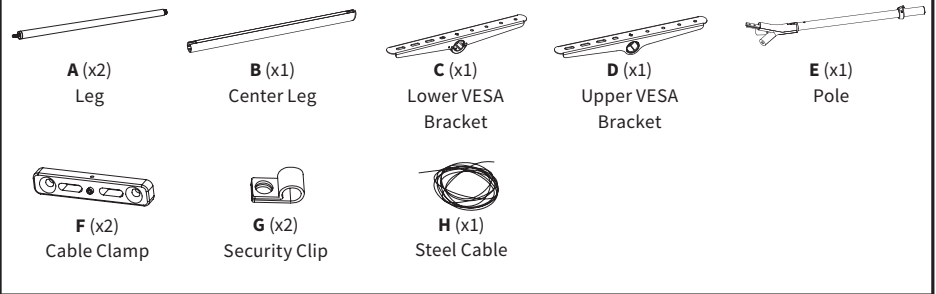
- NEVER ALLOW CHILDREN TO CLIMB, STAND, HANG, OR PLAY ON ANY PART OF TV OR STAND.
- USE TIPOVER RESTRAINT OR ANCHOR STAND TO WALL.

USE OF TIPOVER RESTRAINTS MAY ONLY REDUCE, BUT NOT ELIMINATE RISK OF TIPOVER.

⚠️ WARNING: CHOKING HAZARD

SMALL PARTS - NOT FOR CHILDREN UNDER 3 YEARS. ADULT SUPERVISION IS REQUIRED.

PACKAGE CONTENTS



NOTE: SOME HARDWARE INCLUDED MAY NOT BE USED

DO NOT EXCEED WEIGHT CAPACITY.
Failure to do so may result in serious injury.



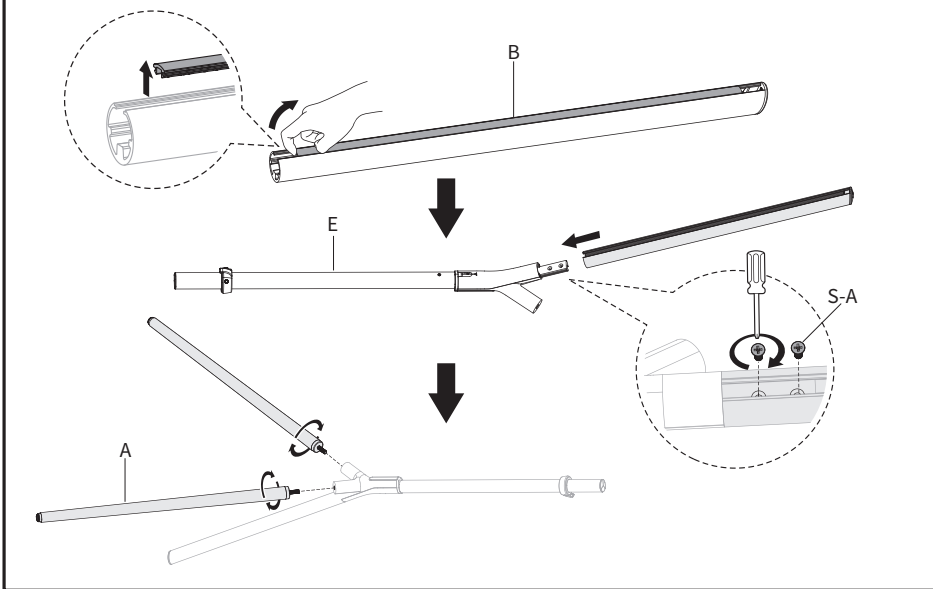
TOOLS NEEDED



ASSEMBLY STEPS

STEP 1

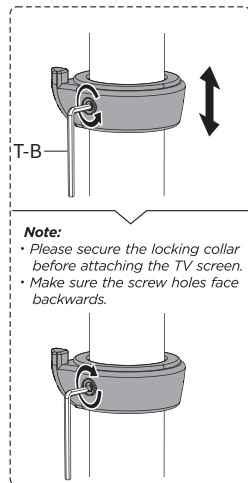
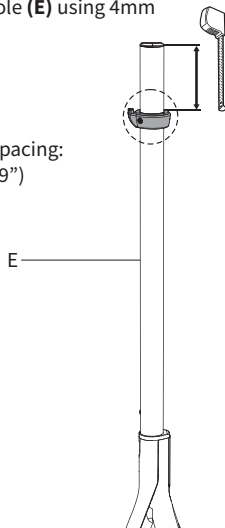
Remove the cable management cover from Center Leg (B). Assemble Center Leg (B) to Pole (E) using M5x12mm Screws (S-A) and a Phillips screwdriver. Screw Legs (A) into base of Pole (E).



STEP 2

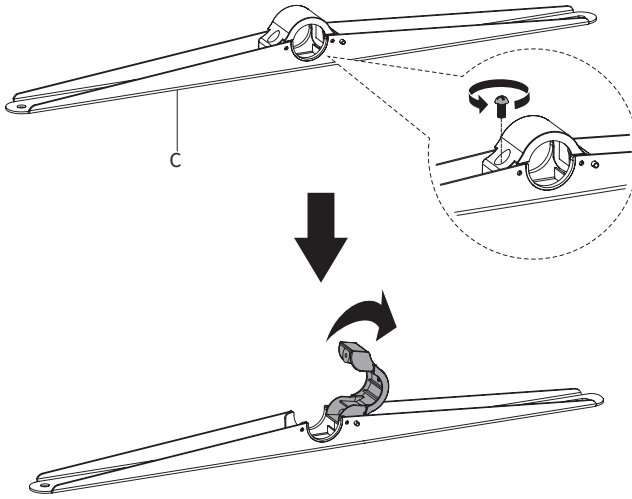
Adjust collar height on Pole (E) using 4mm Allen Wrench (T-B).

Recommended spacing:
50-150mm (2"-5.9")



STEP 3

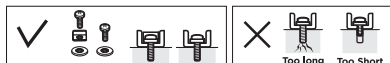
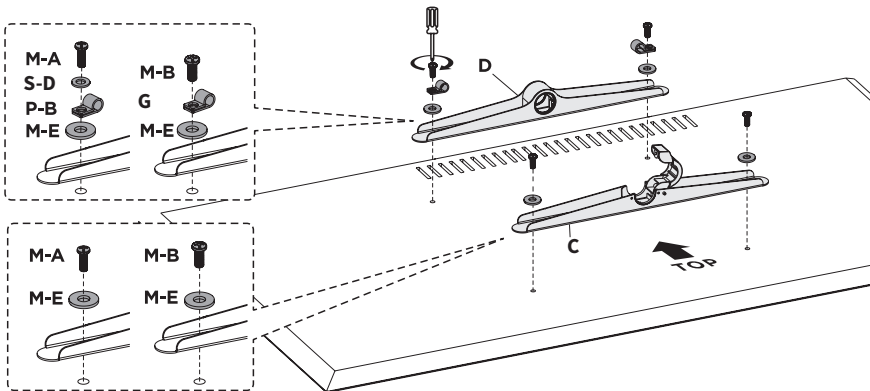
Remove the screw from the center clamp of Lower VESA Bracket (C) and open the clamp.



STEP 4

OPTION A: Flat Back Monitor

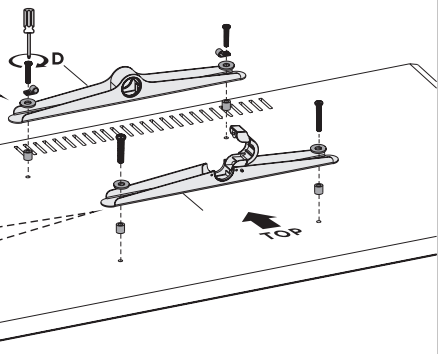
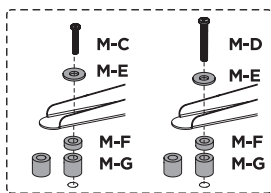
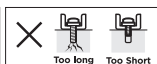
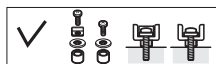
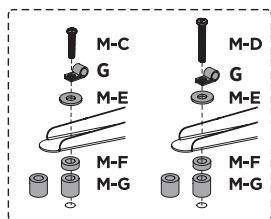
Position Upper VESA Bracket (D) over top holes on TV and secure using Screws (M-A or M-B), M8 Washers (M-E), M5 Washers (S-D), Security Clips (G), and a Phillips screwdriver. Position Lower VESA Bracket (E) over lower holes and secure using Screws (M-A or M-B), M8 Washers (M-E) and a Phillips screwdriver.



STEP 4 (Continued)

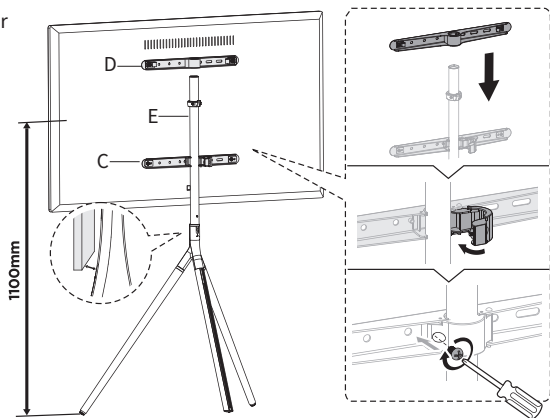
OPTION B: Large or Curved Back Monitor

Position Upper VESA Bracket (D) over top holes on TV and secure using Screws (M-A or M-B), M8 Washers (M-E), M5 Washers (S-D), Security Clips (G), and a Phillips screwdriver. Position Lower VESA Bracket (E) over lower holes and secure using Screws (M-A or M-B), M8 Washers (M-E) and a Phillips screwdriver. Spacers (M-F, M-G) may be required.



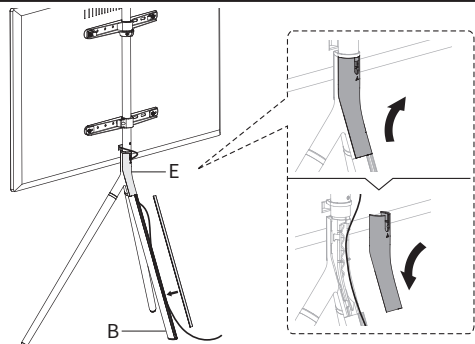
STEP 5

Slide the TV with VESA brackets (C, D) onto Pole (E). Close the clamp on Lower VESA Bracket (C) over Pole (E) and secure with previously removed screw.



STEP 6

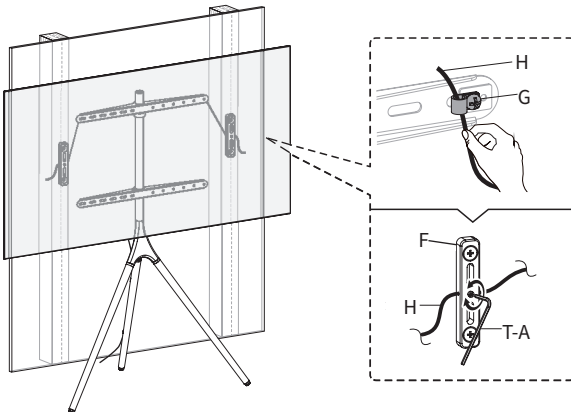
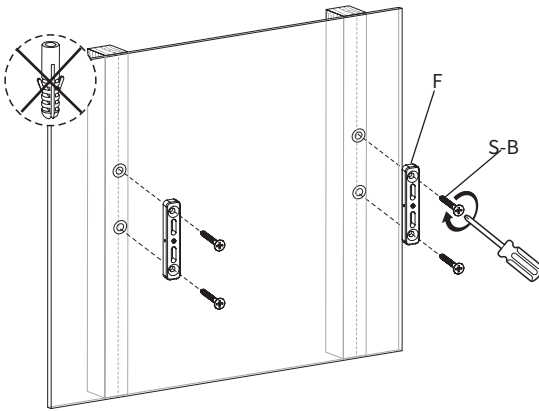
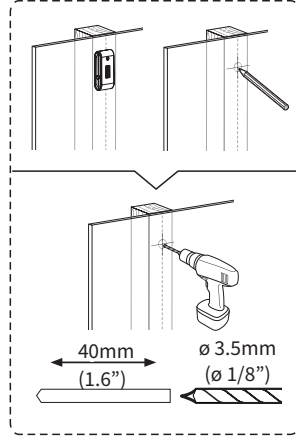
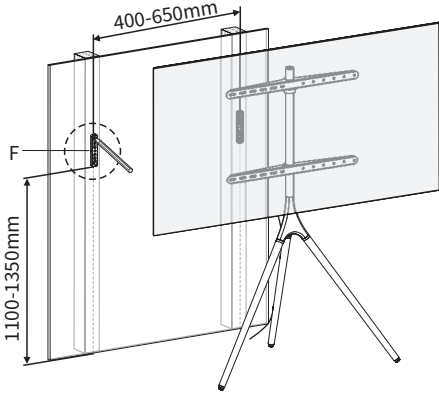
Remove the cable management cover from Pole (E) and route cables through the pole and Center Leg (B). Reinstall cable management covers.



STEP 7

OPTION A: Wood Stud Installation

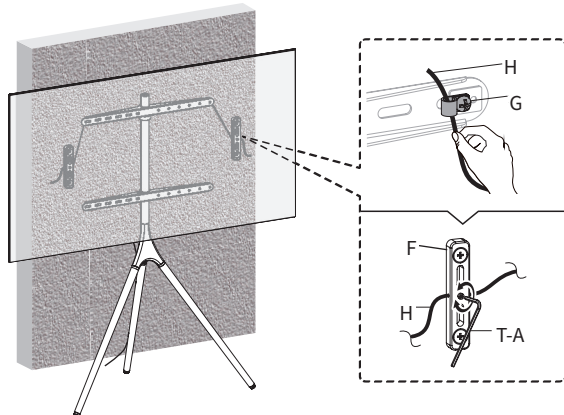
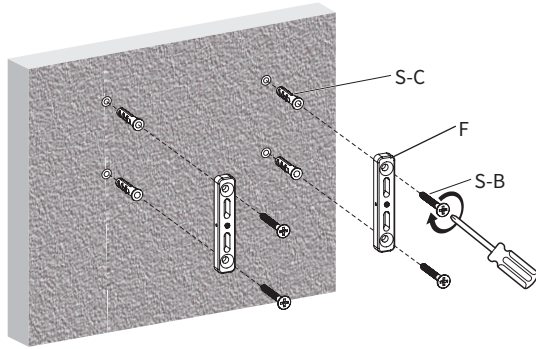
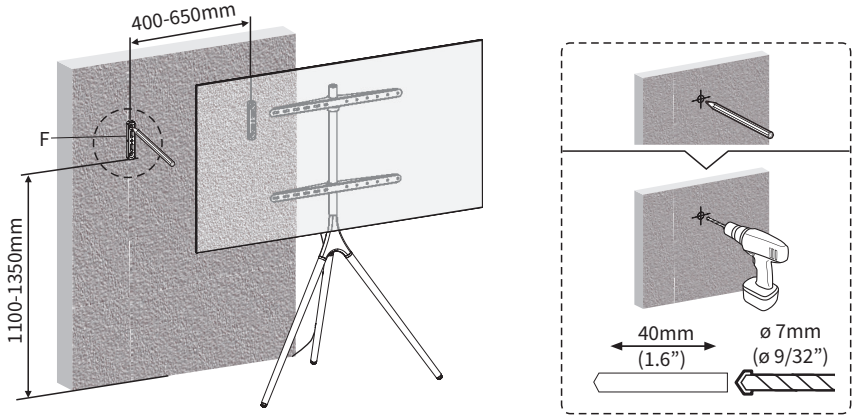
Use a stud finder and a level to locate two adjacent studs. Using Cable Clamps (F) as guides, mark drilling locations on the wall. Drill a 1.6" (40mm) deep hole using a 1/8" (3.5mm) drill bit. Mount Cable Clamps (F) to wall using ST4.8x38mm Screws (S-B). Thread Steel Cable (H) through Security Clips (G), then through the center holes in the Cable Clamps (F) as shown, then tighten using 2mm Allen wrench (T-A).



STEP 7 (Continued)

OPTION B: Concrete/ Brick Installation

Using Cable Clamps (F) as guides, mark drilling locations on wall. Drill holes at least 1.6" (40mm) deep using a 9/32" (7mm) drill bit. Insert Concrete Anchors (S-C) in holes and mount Cable Clamps (F) to the wall using ST4.8x38mm Screws (S-B). Thread Steel Cable (H) through Security Clips (G) and through the center holes in the Cable Clamps (F) as shown, then tighten Cable Clamps (F) using 2mm Allen Wrench (T-A).





Open **Monday - Friday 7:00am - 7:00pm** CST,

our dedicated support team can offer immediate assistance with rapid response times. If any parts are received damaged or defective, please contact us. We are happy to replace parts to ensure you have a fully functioning product.



309-278-5303

AVG. RESOLUTION TIME (*within office hrs*): **5M 4S**



www.vivo-us.com
Chat live with an agent!

AVG. RESOLUTION TIME (*within office hrs*): **< 15 M**



help@vivo-us.com

AVG. RESPONSE TIME (*within office hrs*): **1HR 8M**

- 23% within < 15m
- 38% within < 30m
- 61% within < 1hr
- 83% within < 2hr
- 92% within < 3hr