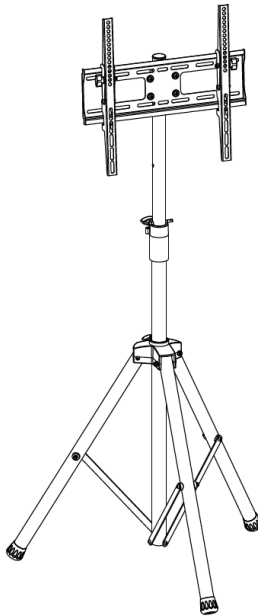




Black Tripod TV Display Floor Stand

Instruction Manual



SKU: STAND-TV55T



Scan the QR code with your mobile device or follow the link for helpful videos and specifications related to this product.

<https://vivo-us.com/products/stand-tv55t>



help@vivo-us.com



www.vivo-us.com



1-800-371-5654

WARNING!

If you do not understand these directions, or if you have any doubts about the safety of the installation, please call a qualified technician. Check carefully to make sure there are no missing or defective parts. Improper installation may cause damage or serious injury. Do not use this product for any purpose that is not explicitly specified in this manual. Do not exceed weight capacity. We cannot be liable for damage or injury caused by improper mounting, incorrect assembly or inappropriate use.

TIPOVER WARNING

SERIOUS OR FATAL CRUSHING INJURIES CAN OCCUR FROM TIPOVER. TO HELP PREVENT TIPOVER:

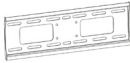
- NEVER ALLOW CHILDREN TO CLIMB, STAND, HANG, OR PLAY ON ANY PART OF TV OR TV STAND.
- USE TIPOVER RESTRAINT OR ANCHOR STAND TO WALL

USE OF TIPOVER RESTRAINTS MAY ONLY REDUCE, BUT NOT ELIMINATE RISK OF TIPOVER.

PACKAGE CONTENTS



A (x1)
Tripod Base



B (x1)
VESA Plate



C (x1)
VESA Bracket



D (x1)
VESA Bracket



E (x1)
Mounting Bracket



F (x2)
M6x50



G (x6)
Nut



H (x4)
Plastic Washer



I (x10)
Metal Washer



J (x4)
Bolt



K (x1)
Wrench



M-A (x4)
M5x14



M-B (x4)
M6x14



M-C (x4)
M6x30



M-D (x4)
M8x30



M-E (x4)
M8x50



M-F (x4)
Metal Spacer



M-G (x8)
Small Spacer



M-H (x8)
Big Spacer

NOTE: NOT ALL HARDWARE INCLUDED WILL BE USED

WARNING: CHOKING HAZARD

SMALL PARTS - NOT FOR CHILDREN UNDER 3 YEARS. ADULT SUPERVISION IS REQUIRED.

TOOLS NEEDED



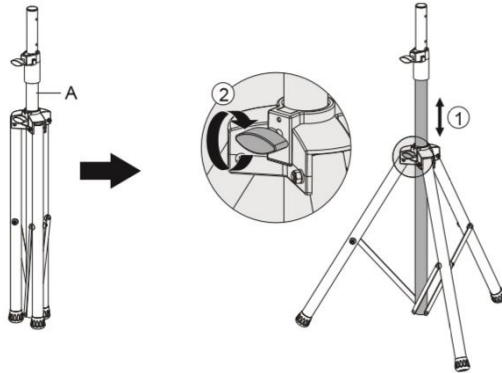
DO NOT EXCEED WEIGHT CAPACITY.
Failure to do so may result in serious injury.



ASSEMBLY STEPS

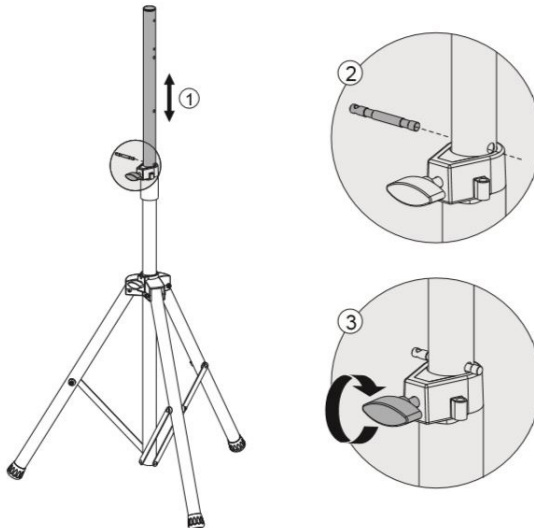
STEP 1

Unfold tripod base (A) and tighten lower knob.



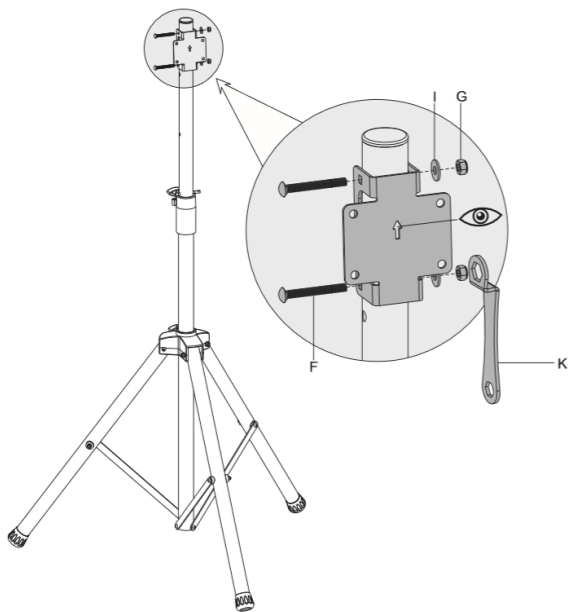
STEP 2

Adjust the pole to the desired height, insert retainer pin, and tighten upper knob.



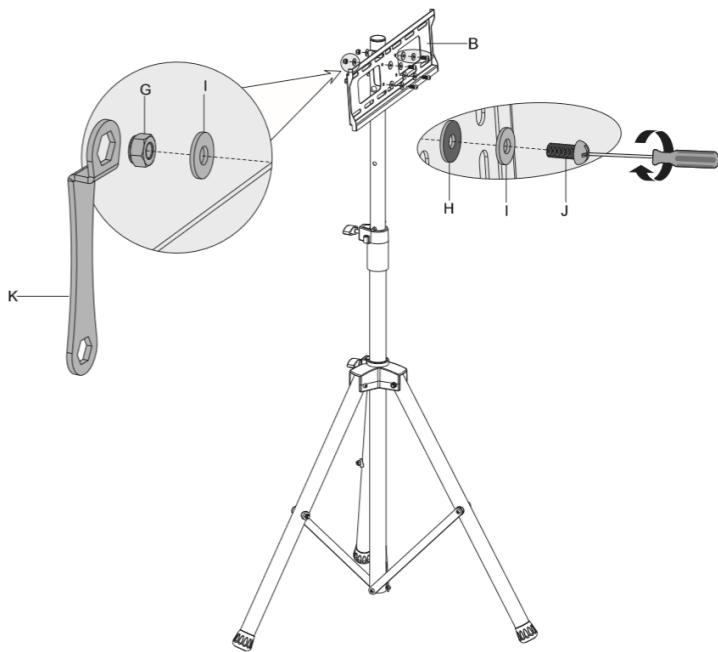
STEP 3

Install mounting bracket **(E)** using carriage bolts **(F)**, washers **(I)**, and nuts **(G)**. The arrow on the bracket must be pointing up.



STEP 4

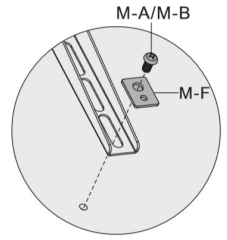
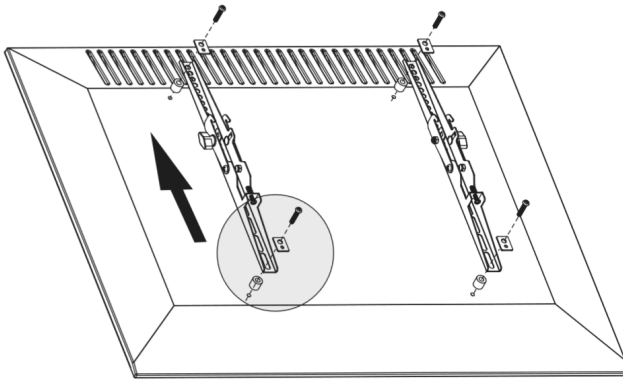
Assemble TV plate to mounting bracket **(B)** using bolts **(J)**, metal washers **(I)**, plastic washers **(H)**, and nuts **(G)**.



STEP 5

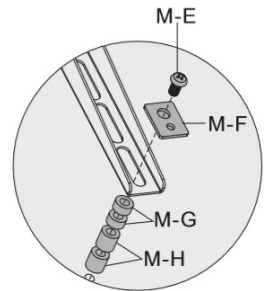
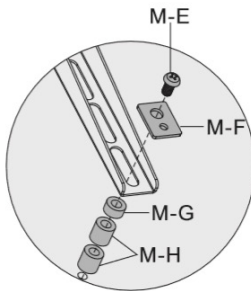
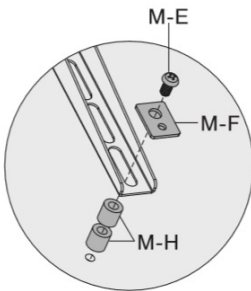
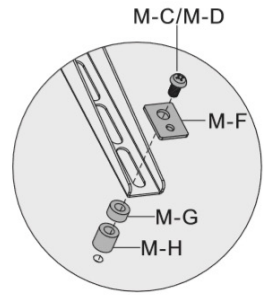
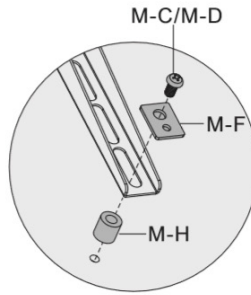
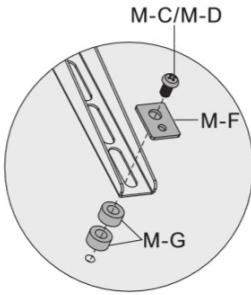
OPTION A: Flat Back Monitor

Mount VESA Bracket (C,D) to the back of the TV with appropriate screws and hardware.



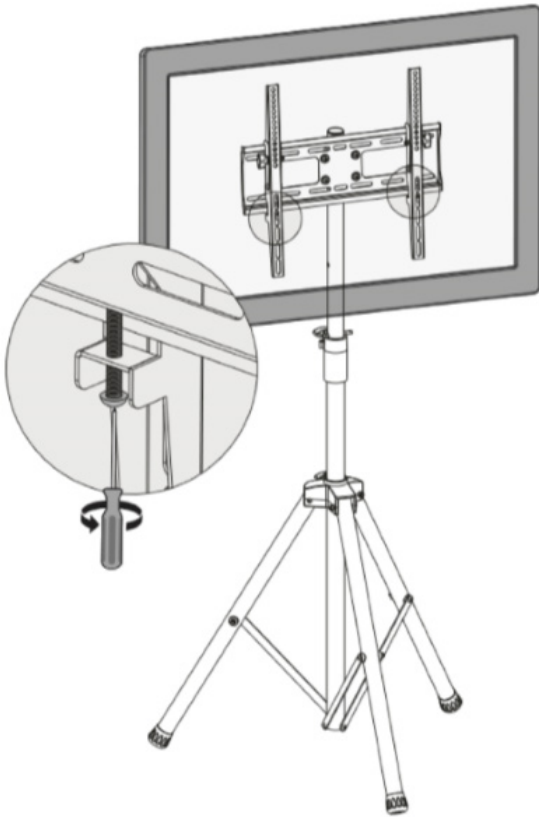
OPTION B: Curved Back Monitor

If bolts are too long, spacers (M-G, M-H) may be required.

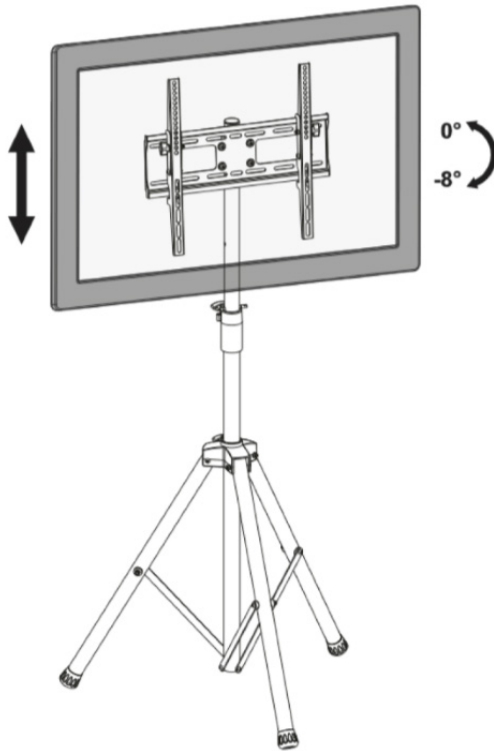


STEP 6

Hang the TV over TV mounting plate and secure with the pre-installed bolts underneath.



Adjust as Desired





Love your new VIVO setup and want to share?

Tag us in your photo! **@vivo_us**

Last Updated: 05/17/2019



If any parts are received damaged or defective, please contact us. We are happy to replace parts to ensure you have a fully functioning product.



help@vivo-us.com



www.vivo-us.com



1-800-371-5654

For more VIVO products, check out our website at:
www.vivo-us.com.