

# Portable TV Tripod

SKU: STAND-TV55T/W  
Instruction Manual

---

Assembly Video & Product Info  
[www.vivo-us.com/products/stand-tv55t](http://www.vivo-us.com/products/stand-tv55t)



# ! CAUTION! !

If you do not understand these directions, or if you have any doubts about the safety of the installation, please contact our product support team at 309-278-5303 or help@vivo-us.com for further assistance. Check carefully to make sure there are no missing or defective parts. Improper installation may cause damage or serious injury. Do not use this product for any purpose that is not explicitly specified in this manual. Do not exceed weight capacity. We cannot be liable for damage or injury caused by improper mounting, incorrect assembly or inappropriate use.



## WARNING: CHOKING HAZARD

SMALL PARTS - NOT FOR CHILDREN UNDER 3 YEARS. ADULT SUPERVISION IS REQUIRED.



## DO NOT EXCEED WEIGHT CAPACITY

FAILURE TO DO SO MAY RESULT IN SERIOUS INJURY.

---

## We're Here for You

Open **Monday - Friday 7:00am - 7:00pm** CST, our dedicated support team can offer immediate assistance with rapid response times. If any parts are received damaged or defective, please contact us. We are happy to replace parts to ensure you have a fully functioning product.



Give us a Call:  
**309-278-5303**

AVG. RESOLUTION TIME (*within office hrs*): **5M 4S**



Chat Us:  
**www.vivo-us.com**

AVG. RESOLUTION TIME (*within office hrs*): **< 15 M**

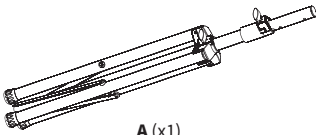


Email Us:  
**help@vivo-us.com**

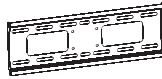
AVG. RESPONSE TIME (*within office hrs*): **1HR 8M**

- 23% within < 15m
- 38% within < 30m
- 61% within < 1hr
- 83% within < 2hr
- 92% within < 3hr

# Package Contents



**A (x1)**  
Tripod Base



**B (x1)**  
VESA Plate



**C (x1)**  
Left VESA  
Bracket



**D (x1)**  
Right VESA  
Bracket



**E (x1)**  
Mounting  
Bracket

---

## Included Hardware & Tools



**S-A (x2)**  
M6x50mm  
Carriage Bolt



**S-B (x6)**  
M6 Lock Nut



**S-C (x4)**  
Plastic Washer



**S-D (x10)**  
Metal Washer



**S-E (x4)**  
M6x14mm Screw



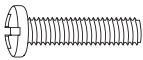
**M-A (x4)**  
M6x14mm Screw



**M-B (x4)**  
M8x16mm Screw



**M-C (x4)**  
M6x30mm Screw



**M-D (x4)**  
M8x35mm Screw



**M-E (x4)**  
M8 Washer



**M-F (x4)**  
Small Spacer



**M-G (x4)**  
Large Spacer



**T-A (x1)**  
Wrench

---

## Tools Needed:



**Phillips  
Screwdriver**

## Weight Capacity:

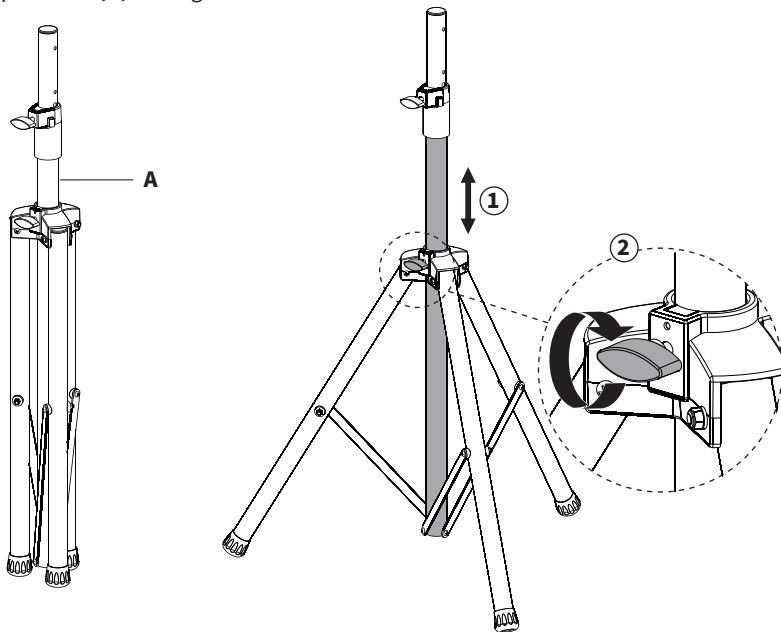


**77lbs  
(35kg)**

# ASSEMBLY STEPS

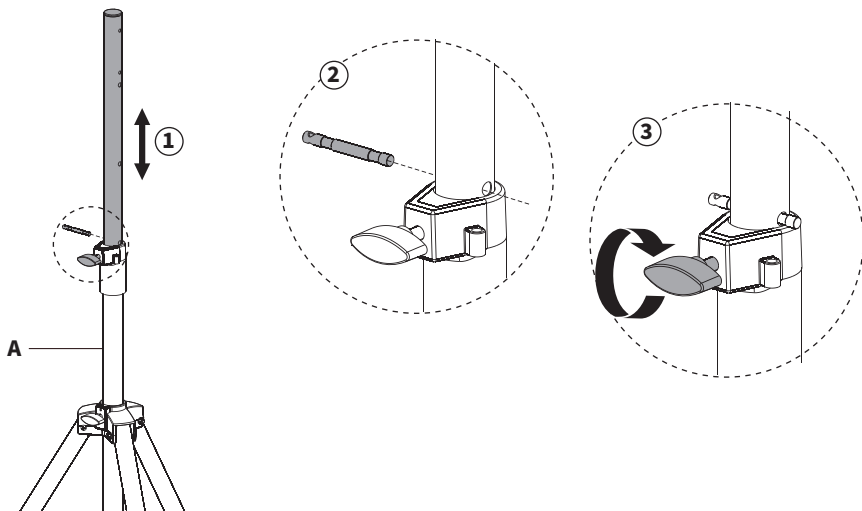
## STEP 1

Unfold Tripod Base (A) and tighten the Lower Knob.



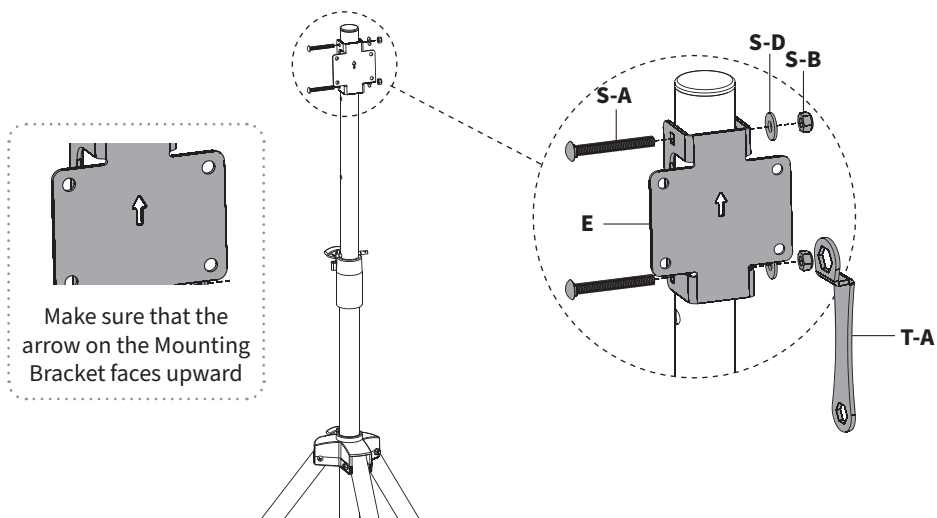
## STEP 2

Loosen the Upper Knob on the pole of Tripod Base (A), adjust the pole to the desired height, insert the Retainer Pin, then tighten the Upper Knob.



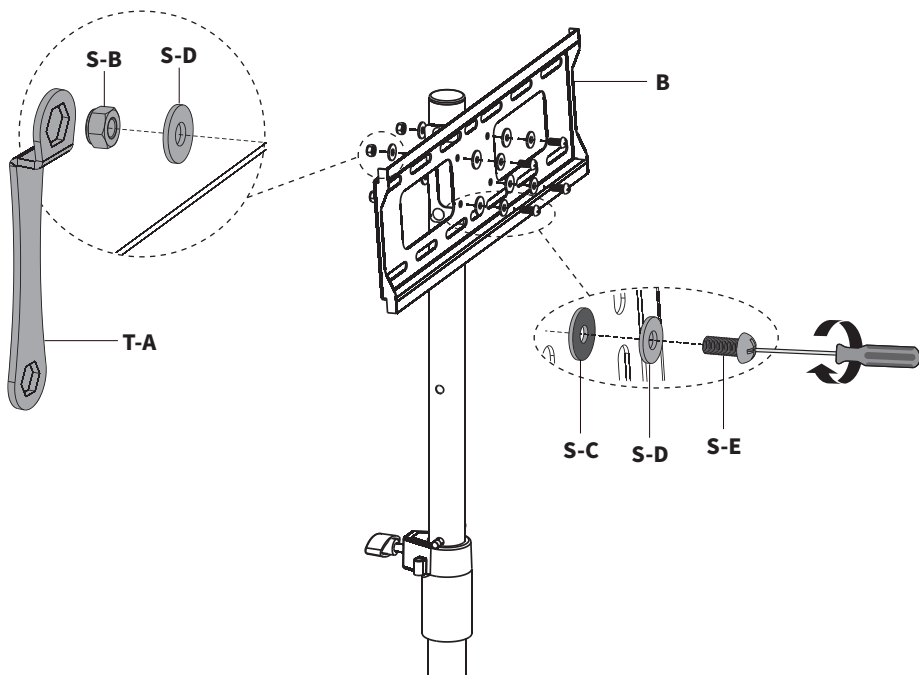
### STEP 3

Install Mounting Bracket (E) using M6x50mm Carriage Bolts (S-A), Metal Washers (S-D) and M6 Lock Nuts (S-B). The arrow on Mounting Bracket (E) must be pointing up. Tighten with Wrench (T-A).



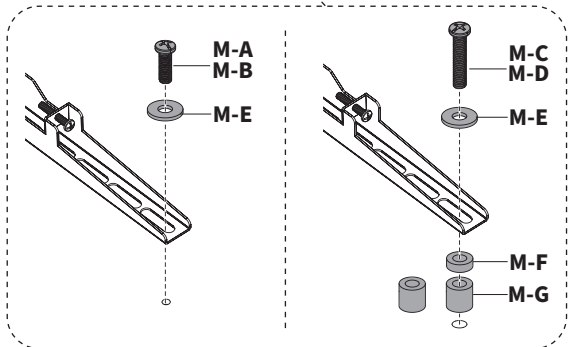
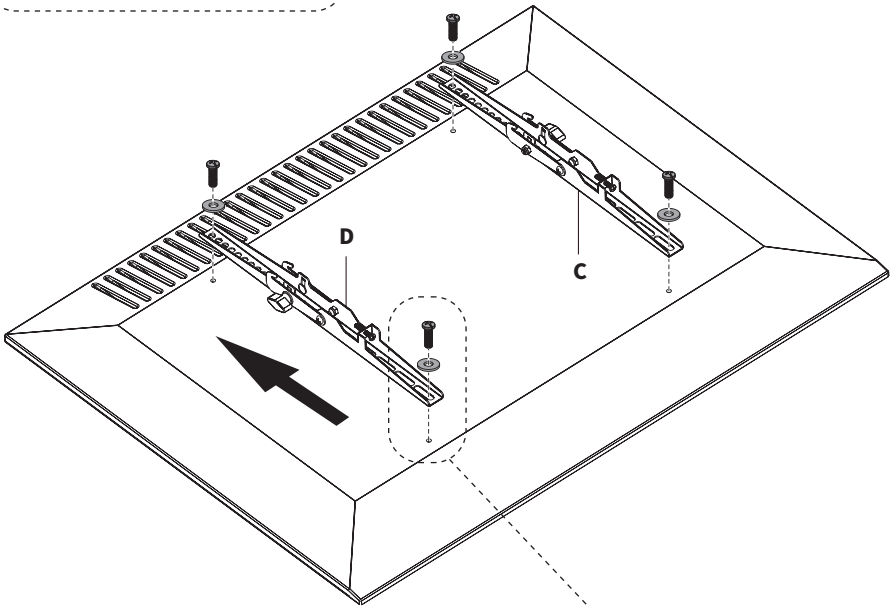
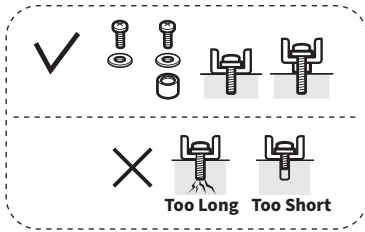
### STEP 4

Assemble VESA Plate (B) to Mounting Bracket (E) using M6x14mm Screws (S-E), Metal Washers (S-D), Plastic Washers (S-C) and M6 Lock Nuts (S-B). Tighten with Wrench (T-A).



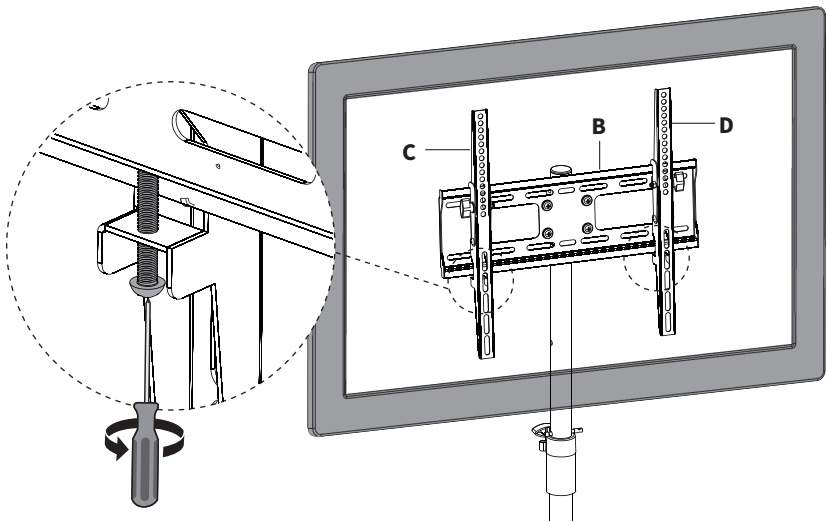
## STEP 5

Mount VESA Brackets (**C, D**) to the back of the TV with Screws (**M-A through M-D**) and M8 Washers (**M-E**). Spacers (**M-F, M-G**) may be required. Tighten with a Phillips screwdriver.



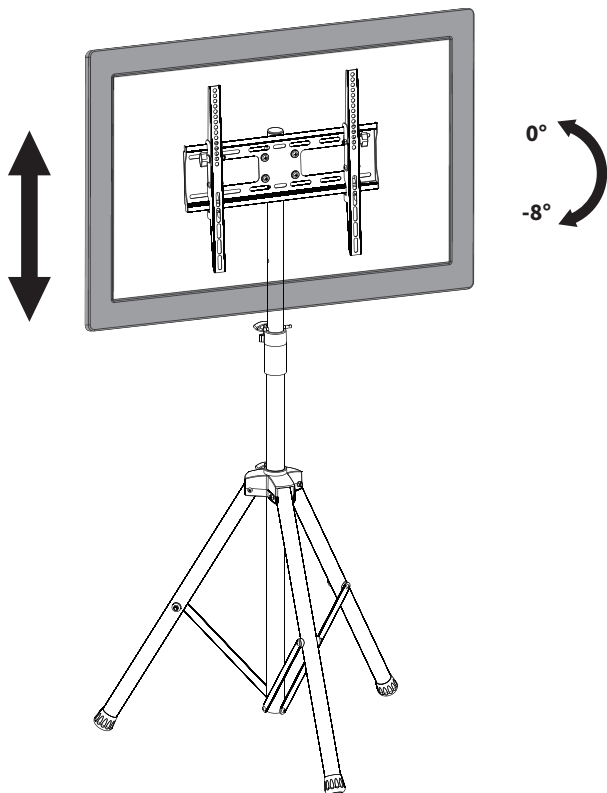
## STEP 6

Hang the TV with VESA Brackets (**C, D**) over the VESA Plate (**B**) and secure with the pre-installed bolts underneath using a Phillips screwdriver.



## STEP 7

Adjust as desired.





## **Need Help? Get In Touch**

Monday-Friday from 7:00am-7:00pm CST



[help@vivo-us.com](mailto:help@vivo-us.com)



[www.vivo-us.com](http://www.vivo-us.com)

*Chat live with an agent!*



309-278-5303



**VIVO-us** @vivo\_us

FOR MORE GREAT VIVO PRODUCTS,  
CHECK OUT OUR WEBSITE AT: [WWW.VIVO-US.COM](http://WWW.VIVO-US.COM)