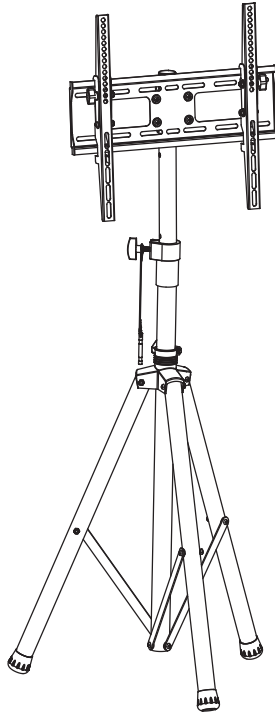




Portable TV Tripod Instruction Manual



SKU: STAND-TV55T/W



Scan the QR code with your mobile device or follow the link for helpful videos and specifications related to this product.

<https://vivo-us.com/products/stand-tv55t>

GET IN TOUCH | Monday-Friday from 7:00am-7:00pm CST



help@vivo-us.com



www.vivo-us.com
Chat live with an agent!



309-278-5303

WARNING!

If you do not understand these directions, or if you have any doubts about the safety of the installation, please call a qualified technician. Check carefully to make sure there are no missing or defective parts. Improper installation may cause damage or serious injury. Do not use this product for any purpose that is not explicitly specified in this manual. Do not exceed weight capacity. We cannot be liable for damage or injury caused by improper mounting, incorrect assembly or inappropriate use.

TIPOVER WARNING

- SEVERE OR FATAL CRUSHING INJURIES CAN OCCUR FROM TIPOVER. TO HELP PREVENT TIPOVER:
- NEVER ALLOW CHILDREN TO CLIMB, STAND, HANG, OR PLAY ON ANY PART OF TV OR TV STAND.
 - USE TIPOVER RESTRAINT OR ANCHOR STAND TO WALL

USE OF TIPOVER RESTRAINTS MAY ONLY REDUCE, BUT NOT ELIMINATE RISK OF TIPOVER.

WARNING: CHOKING HAZARD

SMALL PARTS - NOT FOR CHILDREN UNDER 3 YEARS. ADULT SUPERVISION IS REQUIRED.

PACKAGE CONTENTS



A (x1)
Tripod Base



B (x1)
VESA Plate



C (x1)
Left VESA Bracket



D (x1)
Right VESA Bracket



E (x1)
Mounting Bracket



S-A (x2)
M6x50mm
Carriage Bolt



S-B (x6)
M6 Lock Nut



S-C (x4)
Plastic Washer



S-D (x10)
Metal Washer



S-E (x4)
M6x14mm Screw



M-A (x4)
M6x14mm Screw



M-B (x4)
M8x16mm Screw



M-C (x4)
M6x30mm Screw



M-D (x4)
M8x35mm Screw



M-E (x4)
M8 Washer



M-F (x4)
Small Spacer



M-G (x4)
Large Spacer



T-A (x1)
Wrench

NOTE: SOME HARDWARE INCLUDED MAY NOT BE USED

TOOLS NEEDED



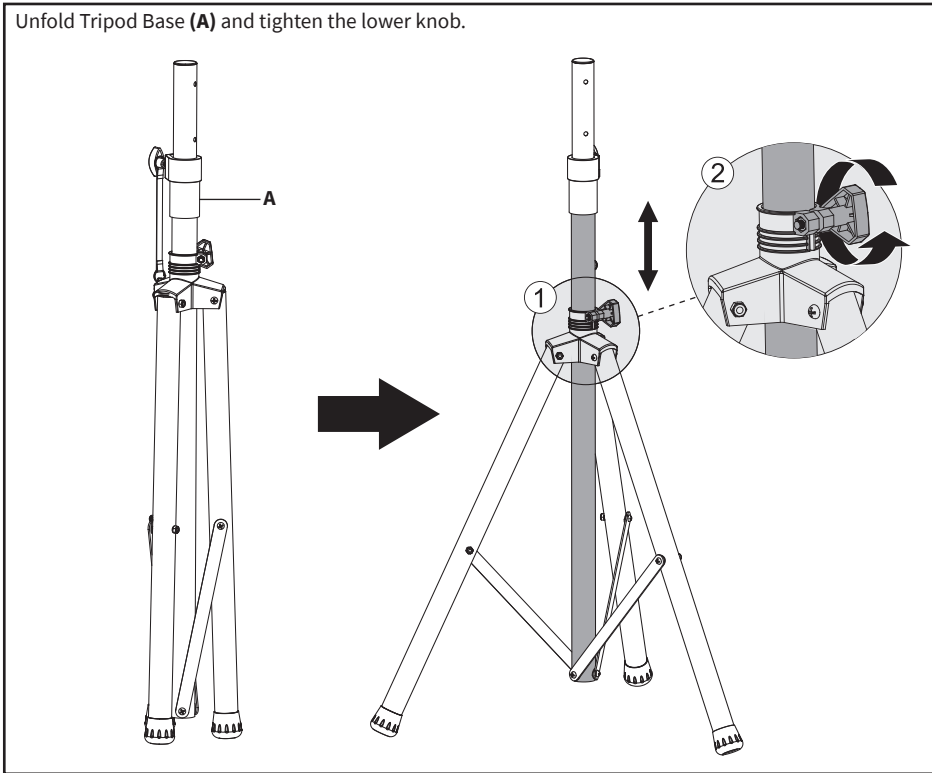
DO NOT EXCEED WEIGHT CAPACITY.
Failure to do so may result in serious injury.



ASSEMBLY STEPS

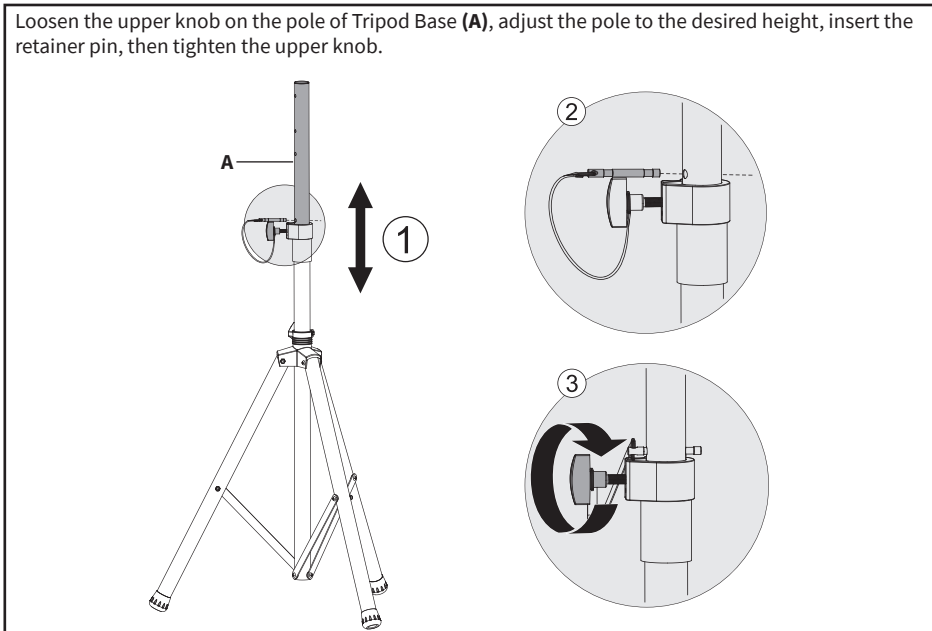
STEP 1

Unfold Tripod Base **(A)** and tighten the lower knob.



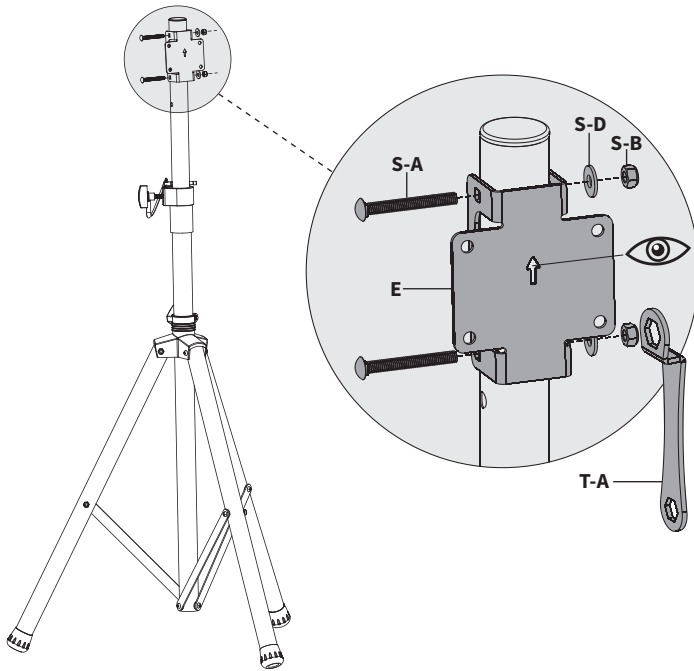
STEP 2

Loosen the upper knob on the pole of Tripod Base **(A)**, adjust the pole to the desired height, insert the retainer pin, then tighten the upper knob.



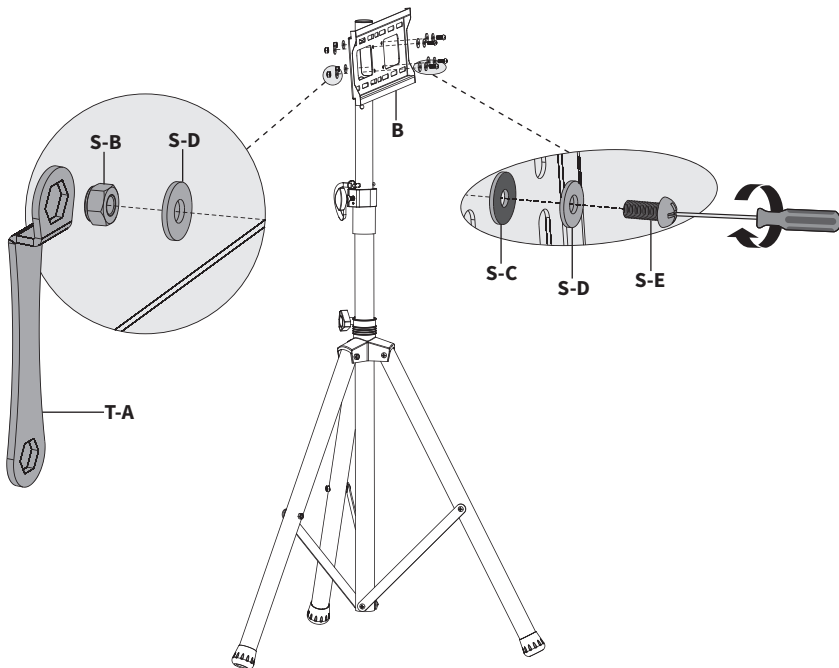
STEP 3

Install Mounting Bracket (E) using M6x50mm Carriage Bolts (S-A), Metal Washers (S-D) and M6 Lock Nuts (S-B). The arrow on Mounting Bracket (E) must be pointing up. Tighten with Wrench (T-A).



STEP 4

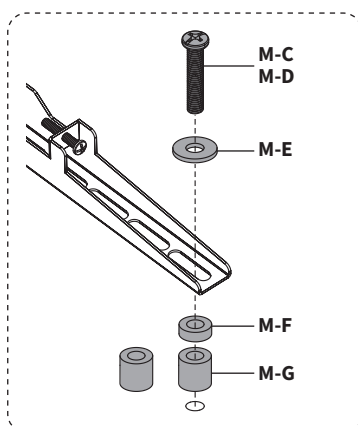
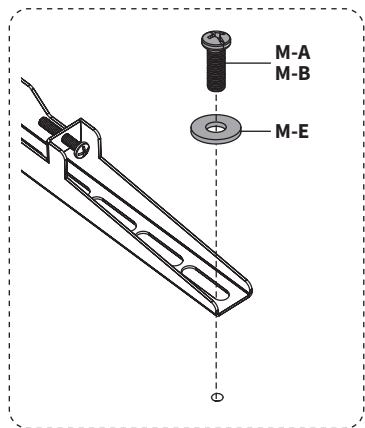
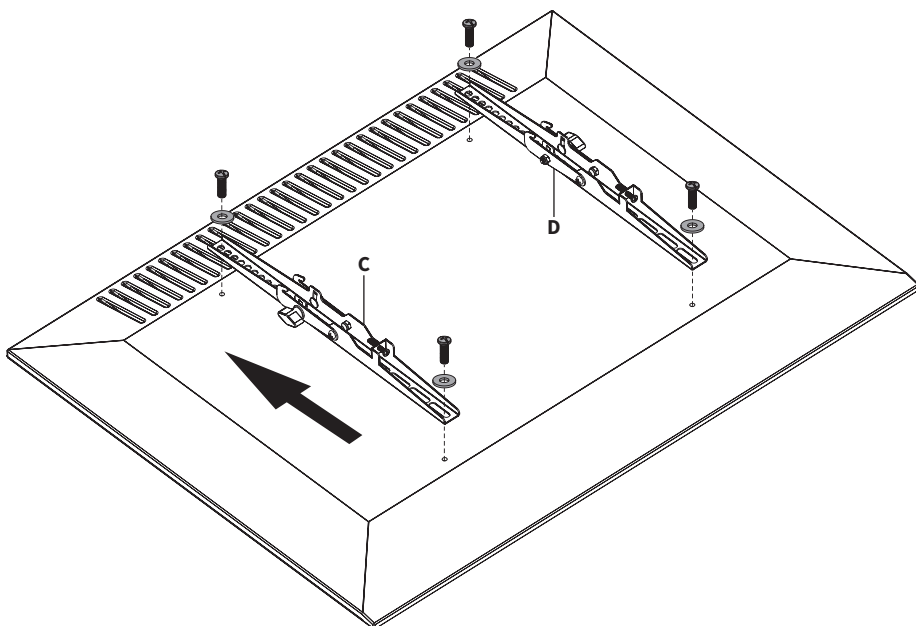
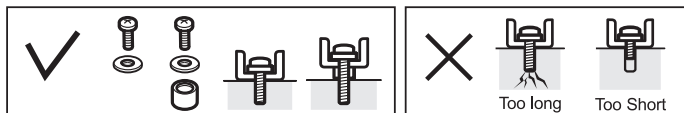
Assemble VESA Plate (B) to Mounting Bracket (E) using M6x14mm Screws (S-E), Metal Washers (S-D), Plastic Washers (S-C) and M6 Lock Nuts (S-B). Tighten with Wrench (T-A).



STEP 5

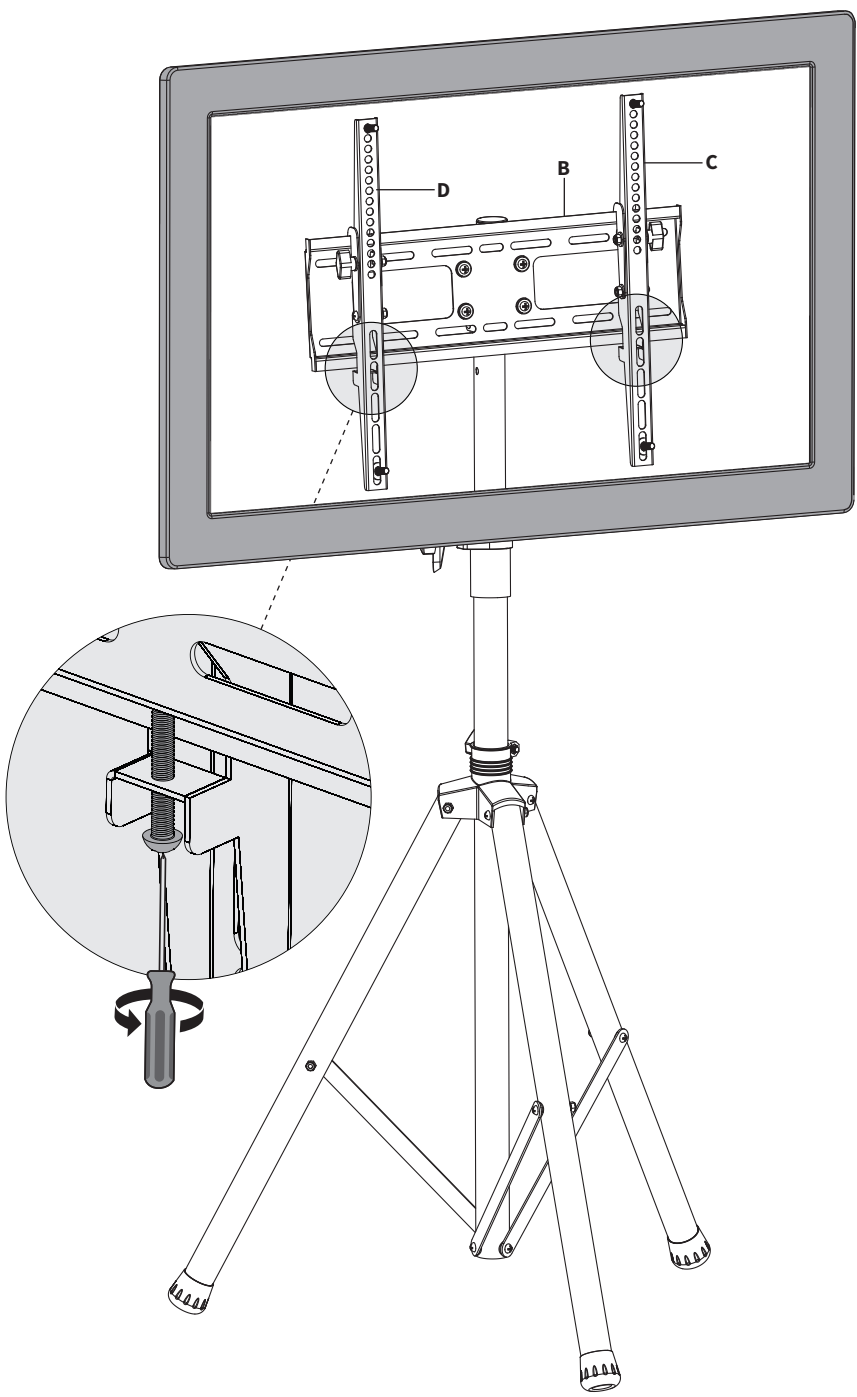
OPTION A: Small TV

Mount VESA Brackets (C, D) to the back of the TV with Screws (M-A through M-D) and M8 Washers (M-E). Spacers (M-F, M-G) may be required. Tighten with a Phillips screwdriver.

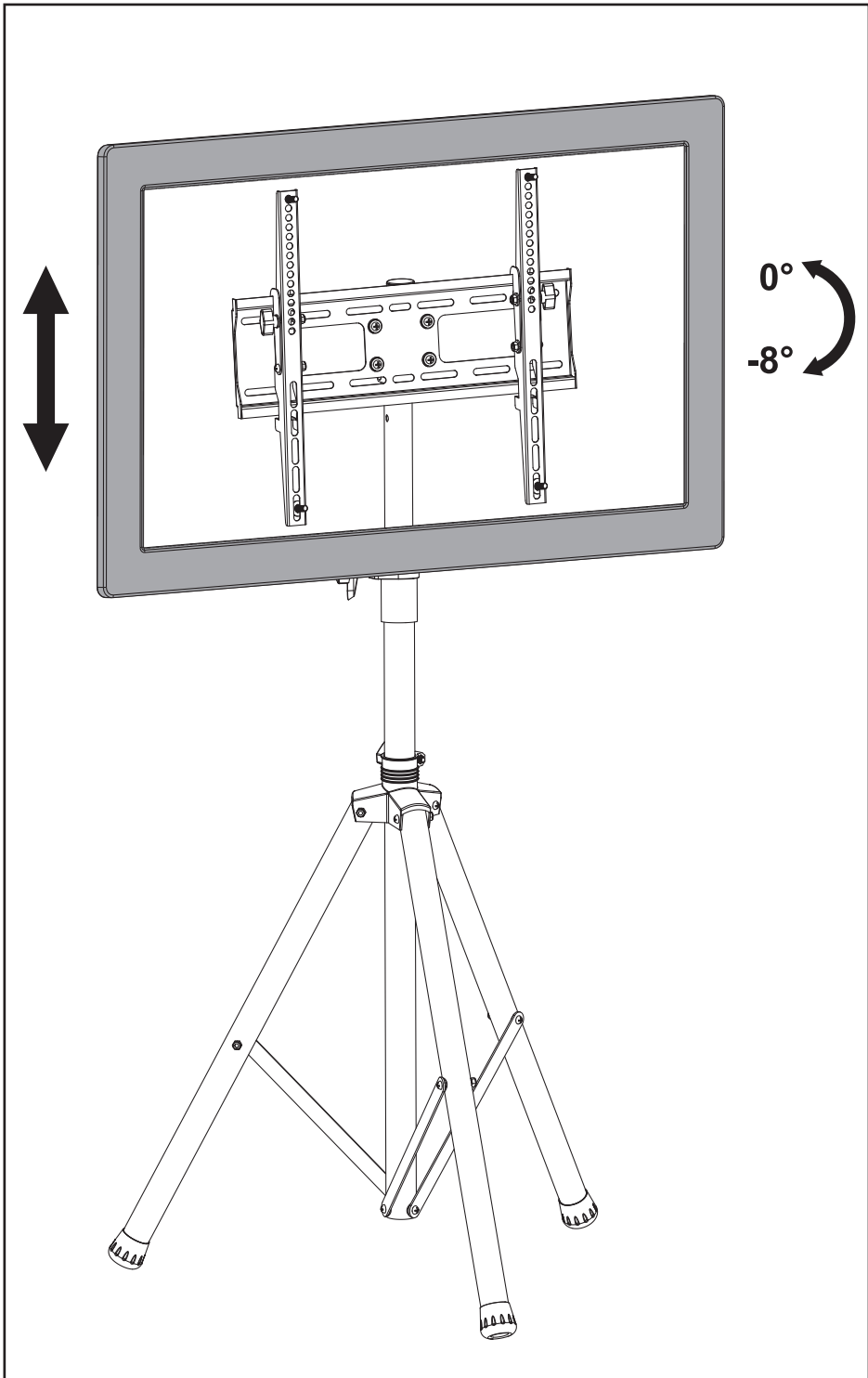



STEP 6

Hang the TV with VESA Brackets (**C, D**) over the VESA Plate (**B**) and secure with the pre-installed bolts underneath using a Phillips screwdriver.



Adjust as Desired



 Love your new VIVO setup and want to share?
Tag us in your photo! **@vivo_us**

LAST UPDATED: 02/02/2023
REV2



Open **Monday - Friday 7:00am - 7:00pm** CST,
our dedicated support team can offer immediate assistance with rapid response times. If any parts are received damaged or defective, please contact us. We are happy to replace parts to ensure you have a fully functioning product.



309-278-5303

AVG. RESOLUTION TIME (*within office hrs*): **5M 4S**



www.vivo-us.com
Chat live with an agent!

AVG. RESOLUTION TIME (*within office hrs*): **< 15 M**



help@vivo-us.com

AVG. RESPONSE TIME (*within office hrs*): **1HR 8M**
- 23% within < 15m
- 38% within < 30m
- 61% within < 1hr
- 83% within < 2hr
- 92% within < 3hr

FOR MORE VIVO PRODUCTS, CHECK OUT OUR WEBSITE AT: www.vivo-us.com