

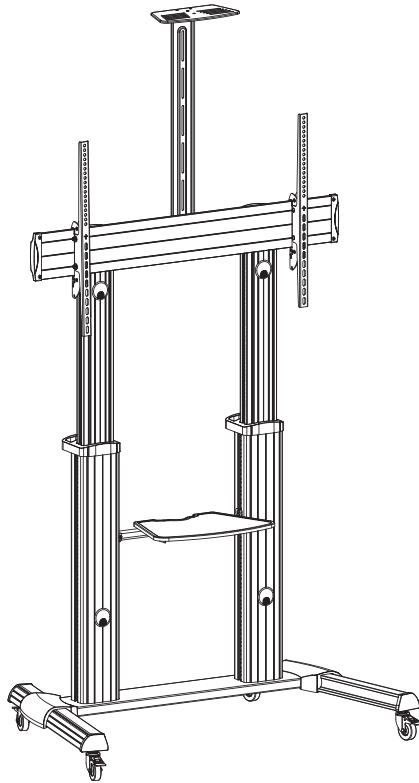


---

## Silver Mobile TV Cart

**SKU: STAND-TV22S**

Instruction Manual



**ASSEMBLY VIDEO AVAILABLE:**

Follow along step-by-step with our video walk through by scanning the QR code with your mobile device or by following the product link: [vivo-us.com/products/stand-tv22s](https://vivo-us.com/products/stand-tv22s)

# Contact Us First!

***DO NOT RETURN ITEM***

Our friendly product support team is here to help!



PERSONABLE CUSTOMER SUPPORT

**7AM - 7PM**

Monday-Friday



Give us a Call:  
**309-278-5303**



Chat Us:  
**[www.vivo-us.com](http://www.vivo-us.com)**



Email Us:  
**[help@vivo-us.com](mailto:help@vivo-us.com)**

---

## We're Here for You!

Our customer-minded support team is here for YOU,

**Monday-Friday 7am-7pm CST.**

We offer immediate assistance with rapid response times from customer service agents and product technicians to help you every step of the way!



## Missing a Part?

If any parts are received damaged / defective OR you are missing a part, please reach out to us ***within 30 days of product delivery to have it replaced at no cost.***

We are happy to replace parts to ensure you have a fully functioning product

## PRE-ASSEMBLY | BEFORE YOU BEGIN



If you do not understand these directions, or if you have any doubts about the safety of the installation, please call a qualified technician. Check carefully to make sure there are no missing or defective parts. Improper installation may cause damage or serious injury. Do not use this product for any purpose that is not explicitly specified in this manual. Do not exceed weight capacity. We cannot be liable for damage or injury caused by improper mounting, incorrect assembly or inappropriate use.

### **WARNING: CHOKING HAZARD**

SMALL PARTS - NOT FOR CHILDREN UNDER 3 YEARS. ADULT SUPERVISION IS REQUIRED.

### **TIPOVER WARNING**

SERIOUS OR FATAL CRUSHING INJURIES CAN OCCUR FROM TIPOVER. TO HELP PREVENT TIPOVER:

- NEVER ALLOW CHILDREN TO CLIMB, STAND, HANG, OR PLAY ON ANY PART OF TV OR TV CART.
- USE TIPOVER RESTRAINT OR ANCHOR STAND TO WALL

**USE OF TIPOVER RESTRAINTS MAY ONLY REDUCE, BUT NOT ELIMINATE RISK OF TIPOVER.**

### **WEIGHT CAPACITY**

DO NOT EXCEED WEIGHT CAPACITY. Failure to do so may result in serious injury.



220lbs  
(100kg)  
TV



11lbs  
(5kg)  
MEDIA SHELF



11lbs  
(5kg)  
CAMERA SHELF



### **Product Warranty**

For the most up to date details on your product's warranty, please visit the product's listing on our website or reach out to customer support.

[vivo-us.com/products/stand-tv22s](https://vivo-us.com/products/stand-tv22s)



### **Returns | Product Didn't Work Out?**

We offer a hassle-free 30 day return on all products. Contact customer support at 309-278-5303 or [help@vivo-us.com](mailto:help@vivo-us.com). Please note: For items ordered in error or no longer needed, the return shipping charges will be at the buyer's expense.

**TOOLS NEEDED:**



Phillips Screwdriver

**DIFFICULTY LEVEL**



**PACKAGE CONTENTS**

Please consult the parts list below and ensure you have everything you need to assemble your product. If parts are missing or damaged, please contact us.



**A (x1)**  
Base



**B (x1)**  
Left Leg



**C (x1)**  
Right Leg



**D (x1)**  
Left Cover



**E (x1)**  
Right Cover



**F (x1)**  
Universal Plate



**G (x2)**  
Plastic Handle



**H (x1)**  
Left Column



**I (x1)**  
Right Column



**J (x1)**  
Left TV Bracket



**K (x1)**  
Right TV Bracket



**L (x2)**  
Top Cover



**M (x1)**  
Media Shelf



**N (x1)**  
Connecting Plate



**O (x1)**  
Camera Shelf



**P (x1)**  
Support Bar



**Q (x2)**  
Knob



**S-A (x2)**  
M6x25mm  
Screw



**S-B (x4)**  
M6x25mm  
Screw



**S-C (x3)**  
M4x6mm Flathead  
Screw



**S-D (x2)**  
M4x6mm  
Screw



**S-E (x2)**  
M6x25mm  
Screw



**S-F (x6)**  
M6x14mm  
Screw



**S-G (x8)**  
M8x25mm  
Screw



**S-H (x2)**  
M6x25mm  
Carriage Bolt



**M-A (x4)**  
M5x14mm  
Screw



**M-B (x4)**  
M6x14mm  
Screw



**M-C (x4)**  
M6x30mm  
Screw



**M-D (x4)**  
M8x30mm  
Screw



**M-E (x4)**  
M8 Washer



**M-F (x8)**  
Small Spacer



**M-G (x8)**  
Large Spacer



**T-A (x1)**  
5mm Allen Wrench



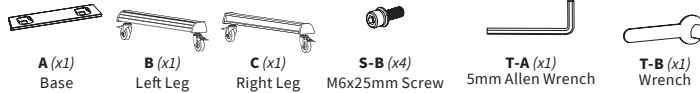
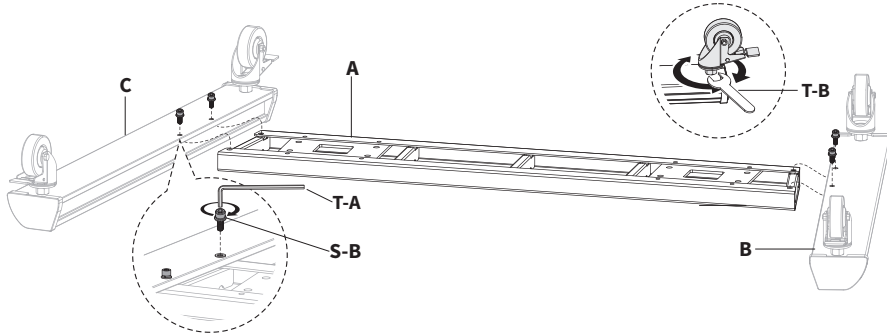
**T-B (x1)**  
Wrench

**NOTE:** SOME HARDWARE INCLUDED MAY NOT BE USED

# ASSEMBLY STEPS

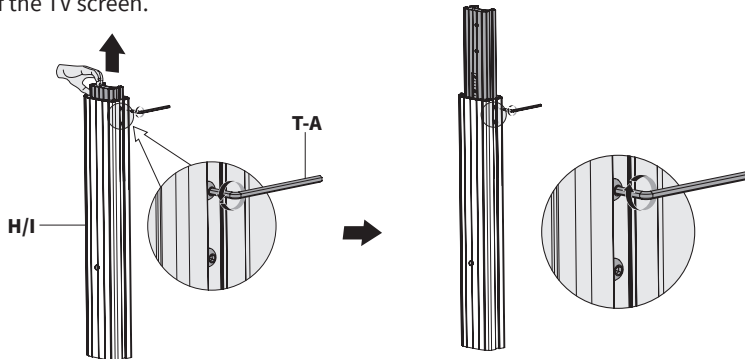
## STEP 1: Assembling the Base

Insert Base (A) into the Left Leg (B). Align the mounting holes and secure with M6x25mm Screws (S-B) and 5mm Allen Wrench (T-A). Repeat this step for Right Leg (C). Adjust caster height if needed by adjusting the nut with Wrench (T-B).



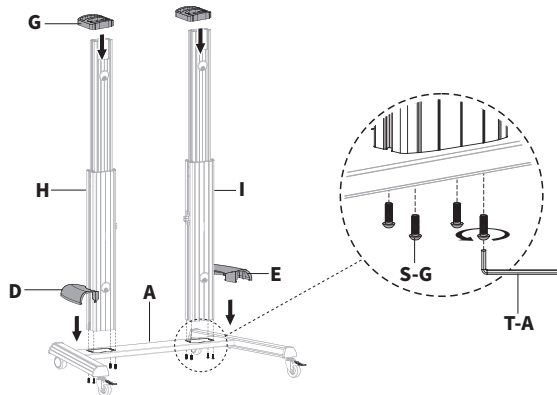
## STEP 2: Assembling the Columns

Loosen screws on each side of Left Column (H) and Right Column (I) using 5mm Allen Wrench (T-A) to adjust height to desired level, then tighten. (CAUTION: Hold inner column when loosening for adjustment). Ensure both columns are at the same height using the height indicators as guides. Height marking on the on the columns represent the distance from the floor to the center of the TV screen.

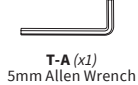
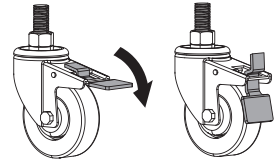


### STEP 3: Installing Columns to the Base

Place Left Column (**H**) and Right Column (**I**) into the cutouts in Base (**A**). Secure columns using M8x25mm Screws (**S-G**) and tighten with 5mm Allen Wrench (**T-A**). Slide the Plastic Handles (**G**) over the inner columns and press firmly in place. Attach Left Cover (**D**) and Right Cover (**E**) to the base assembly.

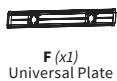
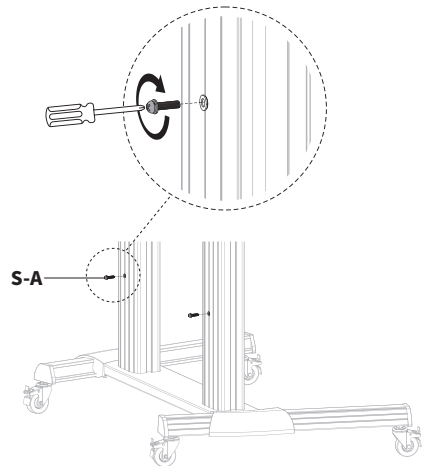
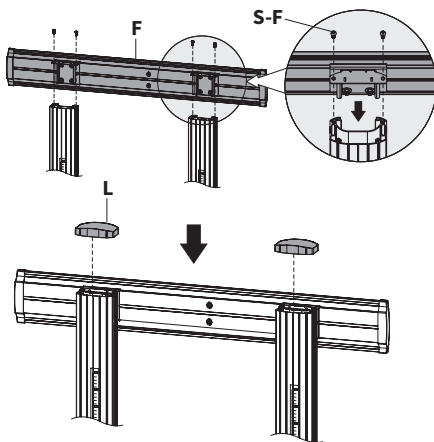


Lock the brakes on the casters to avoid any sudden movements during installation.



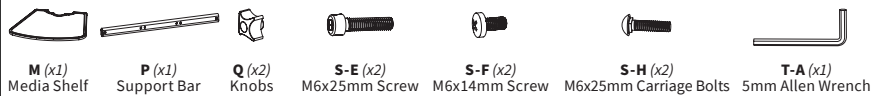
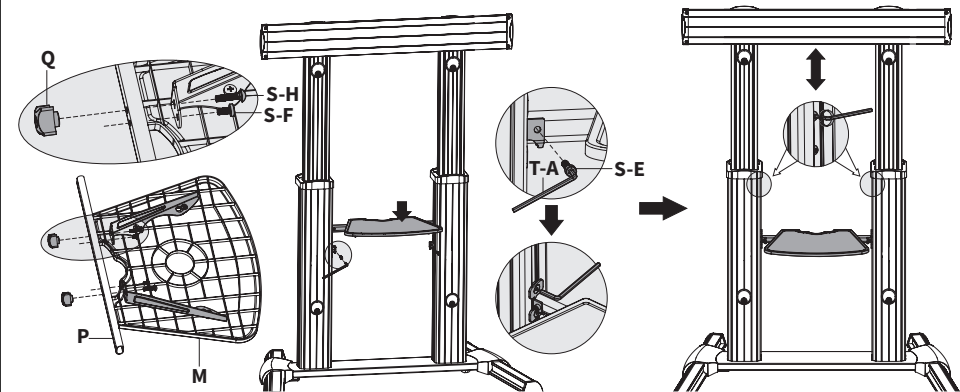
### STEP 4: Assembling the Universal Plate

Assemble Universal Plate (**F**) to the columns with M6x14mm Screws (**S-F**) and a Phillips screwdriver. Attach Top Covers (**L**) to the top of the columns. Insert M6x25mm Screws (**S-A**) into the back of each column using a Phillips screwdriver.



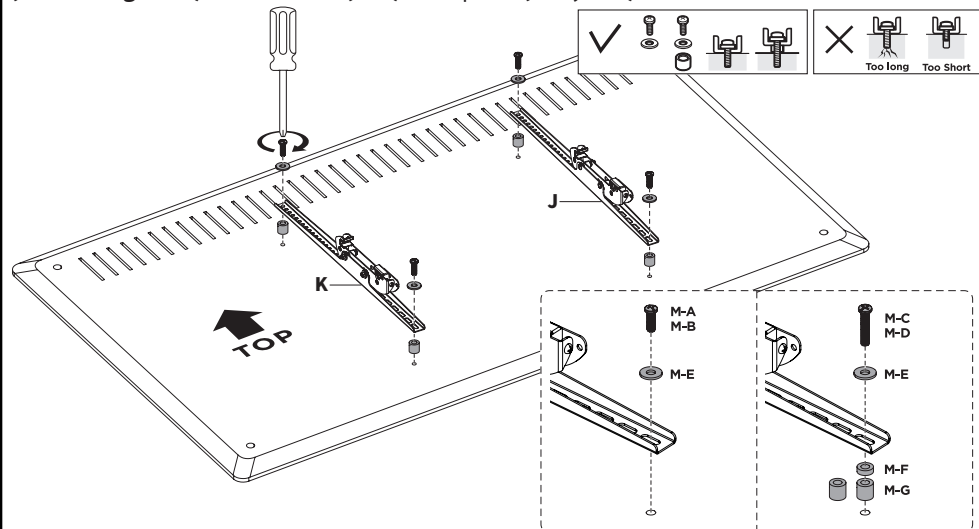
## STEP 5: Installing the Media Shelf

Attach Media Shelf (**M**) to Support Bar (**P**) with M6x14mm Screws (**S-F**), M6x25mm Carriage Bolts (**S-H**) and Knobs (**Q**). Mount the shelf assembly to the columns using M6x25mm Screws (**S-E**) and 5mm Allen Wrench (**T-A**). Adjust the shelf to the desired height using 5mm Allen Wrench (**T-A**) before installing the display to the stand.



## STEP 6: Installing the VESA Brackets to the TV

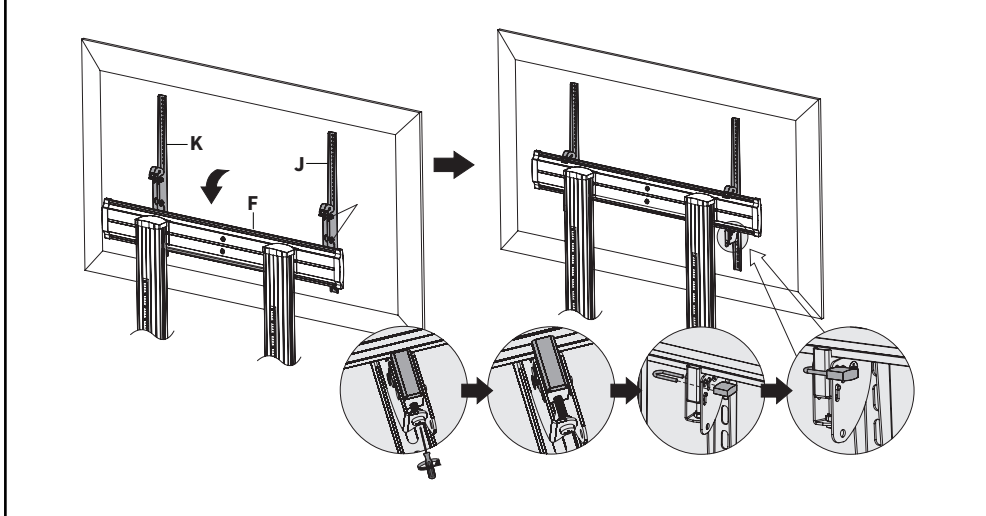
Assemble Left TV Bracket (**J**) and Right TV Bracket (**K**) to the back of the television using Screws (**M-A through M-E**) with Washers (**M-F**) and Spacer (**M-G, M-H**).



## STEP 7: Mounting the TV

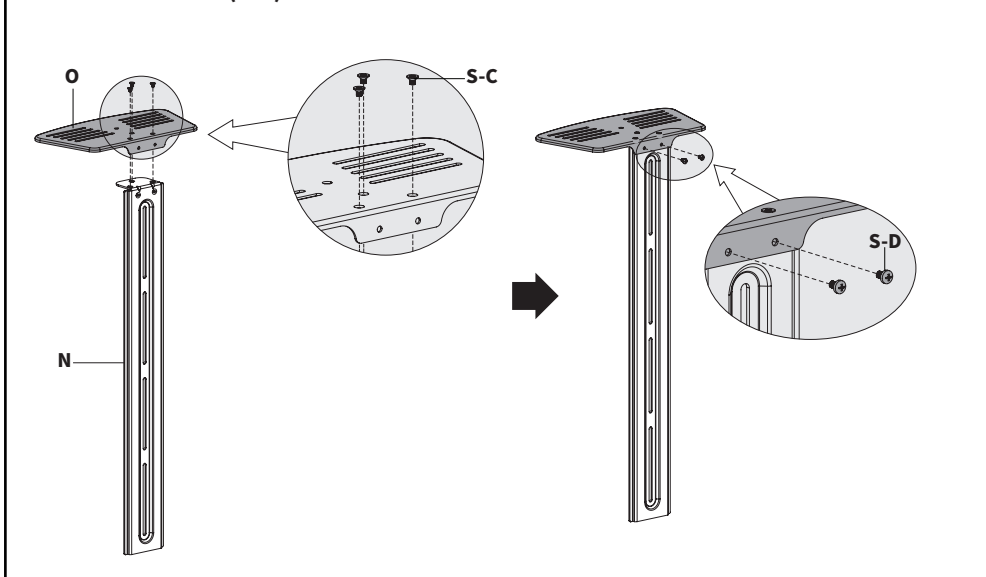
Hang Left TV Bracket (**J**) and Right TV Bracket (**K**) with display onto Universal Plate (**F**). Turn the security screws on the underside of the brackets counter-clockwise to lock. Rotate the screws clockwise to unlock. Tighten the nuts on the brackets to lock the tilt. A padlock (*not included*) can be used to prevent the display from being stolen.

**NOTE:** Make sure the display is correctly mounted before releasing the display.



## STEP 8: Assembling the Camera Shelf

Attach Camera Shelf (**O**) to Connecting Plate (**N**) using M4x6mm Flathead Screws (**S-C**) on top and M4x6mm Screws (**S-D**) in back. removed screws.



**O** (x1)  
Camera Shelf



**N** (x1)  
Connecting Plate



**S-C** (x3)  
M4x6mm Flathead Screw

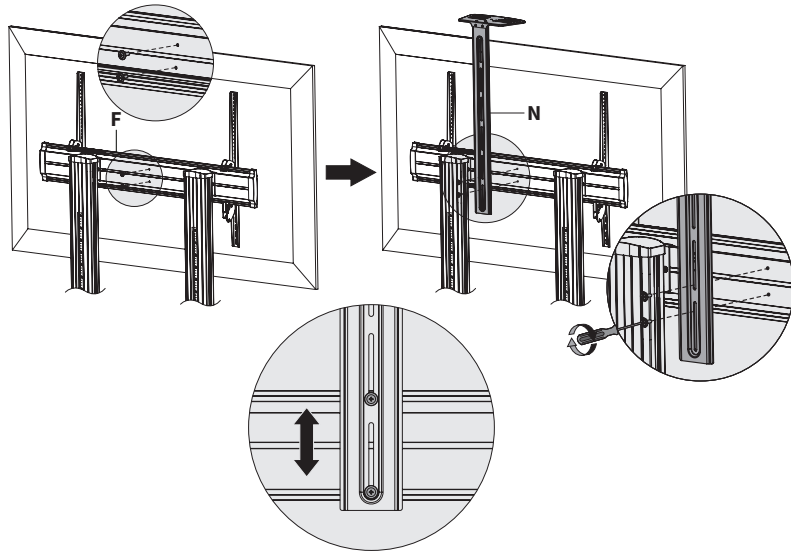


**S-D** (x2)  
M4x6mm Screw



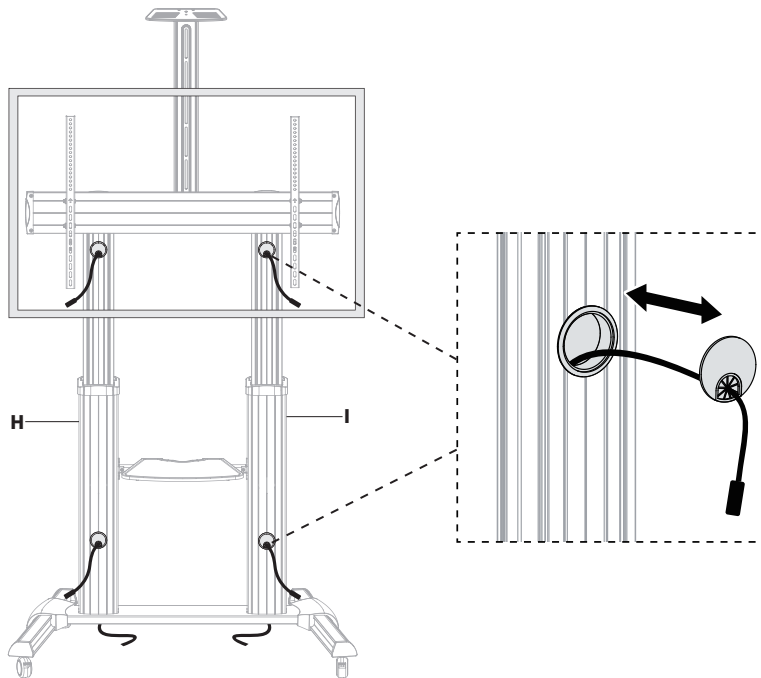
## STEP 9: Mounting the Camera Shelf

Remove the screws from the center of Universal Plate (F). Attach Connecting Plate (N) to Universal Plate (F) at the desired height using the previously removed screws.



## STEP 10: Cable Management

Route cables through the cable management slots in Left Column (H) and Right Column (I).

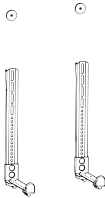


CHECK OUT OTHER GREAT PRODUCTS FROM



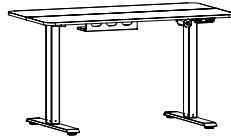
**EXPLORE MORE AT VIVO-US.COM**

*We offer a wide array of home & office products to fit your needs. From height adjustable desks to monitor mounts to keyboard trays and more!*



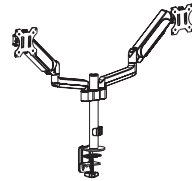
**SPEAKER MOUNTS  
& STANDS**

Whether you're mounting a soundbar or surround sound system, we've got a mounting solution to fit your needs



**HEIGHT  
ADJUSTABLE DESKS**

We offer electric & manual crank standing desks, corner frames, desk & top combos, and more!



**MONITOR  
MOUNTS**

From single monitor mounts to hex mount, grommet or clamp-ons, we've got a mounting solution for your setup.



**WHO WE ARE**

---



VIVO is more than a brand of ergonomic office furniture. We are a team of creative and innovative individuals working together to offer high quality, affordable ergonomic solutions. We think and work outside of the box to serve you, our customer, to the best of our ability.



# Need Assistance?

We Would Love to Help!



## Personable Customer Support | **Mon-Fri 7am-7pm**

We offer immediate assistance with rapid response times from customer service agents and product technicians to help you every step of the way!



Call Us: **309-278-5303**

Average Resolution Time: **5m 4s**



Chat Us: **[www.vivo-us.com](http://www.vivo-us.com)**

Average Resolution Time: **< 15m**



Email Us: **[help@vivo-us.com](mailto:help@vivo-us.com)**

Average Resolution Time: **1HR 8M**

*23% within < 15m*

*38% within < 30m*

*61% within < 1hr*

*83% within < 2hr*

*92% within < 3hr*



**LOVE YOUR NEW VIVO SETUP?**

Ready to share that new amazing setup? Want to brag about that amazing new ergonomic solution?

Tag us in your photo!



**VIVO-us @vivo\_us**

FOR MORE GREAT VIVO PRODUCTS,  
CHECK OUT OUR WEBSITE AT: [WWW.VIVO-US.COM](http://WWW.VIVO-US.COM)