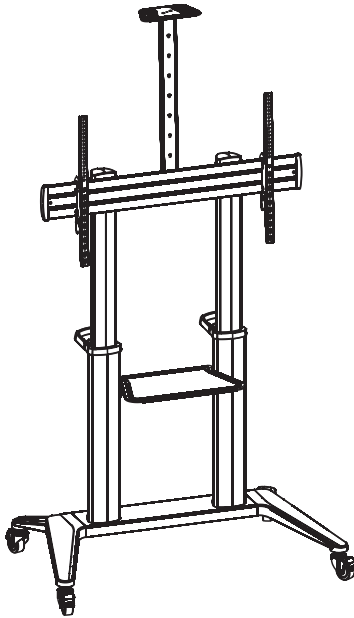




Aluminum Mobile Large Screen TV Cart

Instruction Manual



SKU: STAND-TV120B



Scan the QR code with your mobile device or follow the link for helpful videos and specifications related to this product.

<https://vivo-us.com/products/stand-tv120b>

GET IN TOUCH | Monday-Friday from 7:00am-7:00pm CST



help@vivo-us.com



www.vivo-us.com
Chat live with an agent!



309-278-5303

⚠️ WARNING!

If you do not understand these directions, or if you have any doubts about the safety of the installation, please call a qualified technician. Check carefully to make sure there are no missing or defective parts. Improper installation may cause damage or serious injury. Do not use this product for any purpose that is not explicitly specified in this manual. Do not exceed weight capacity. We cannot be liable for damage or injury caused by improper mounting, incorrect assembly or inappropriate use.

⚠️ TIPOVER WARNING

SERIOUS OR FATAL CRUSHING INJURIES CAN OCCUR FROM TIPOVER. TO HELP PREVENT TIPOVER:

- NEVER ALLOW CHILDREN TO CLIMB, STAND, HANG, OR PLAY ON ANY PART OF TV OR TV CART.
- USE TIPOVER RESTRAINT OR ANCHOR STAND TO WALL

USE OF TIPOVER RESTRAINTS MAY ONLY REDUCE, BUT NOT ELIMINATE RISK OF TIPOVER.

⚠️ WARNING: CHOKING HAZARD

SMALL PARTS - NOT FOR CHILDREN UNDER 3 YEARS. ADULT SUPERVISION IS REQUIRED.

PACKAGE CONTENTS



A (x1)
Left Leg



B (x1)
Right Leg



C (x1)
Base



D (x4)
Caster



E (x2)
Lower Column



F (x2)
Upper Column



G (x2)
Handle



H (x1)
Mounting Plate



I (x1)
Media Shelf



J (x1)
Left TV Bracket



K (x1)
Right TV Bracket



L (x1)
Camera Shelf



M (x1)
Camera Shelf
Support



N (x2)
End Cap



O (x2)
Top Cover



P (x16)
Cable Cover



S-A (x8)
Washer



S-B (x8)
M8x80mm Screw



S-C (x16)
M8x20mm Screw



S-D (x2)
M5x8mm Screw



S-E (x2)
M8x12mm Screw



S-F (x1)
Spacer



M-A (x4)
M6x14mm Screw



M-B (x4)
M8x16mm Screw



M-C (x4)
M6x30mm Screw



M-D (x4)
M8x35mm Screw



M-E (x4)
M8 Washer



M-G (x4)
Small Spacer



M-H (x4)
Large Spacer



T-A (x1)
5mm Allen
Wrench



T-B (x1)
6mm Allen
Wrench



T-C (x1)
M6 Wrench



T-D (x1)
M12 Wrench

NOTE: SOME HARDWARE INCLUDED MAY NOT BE USED

TOOLS NEEDED



DO NOT EXCEED WEIGHT CAPACITY.

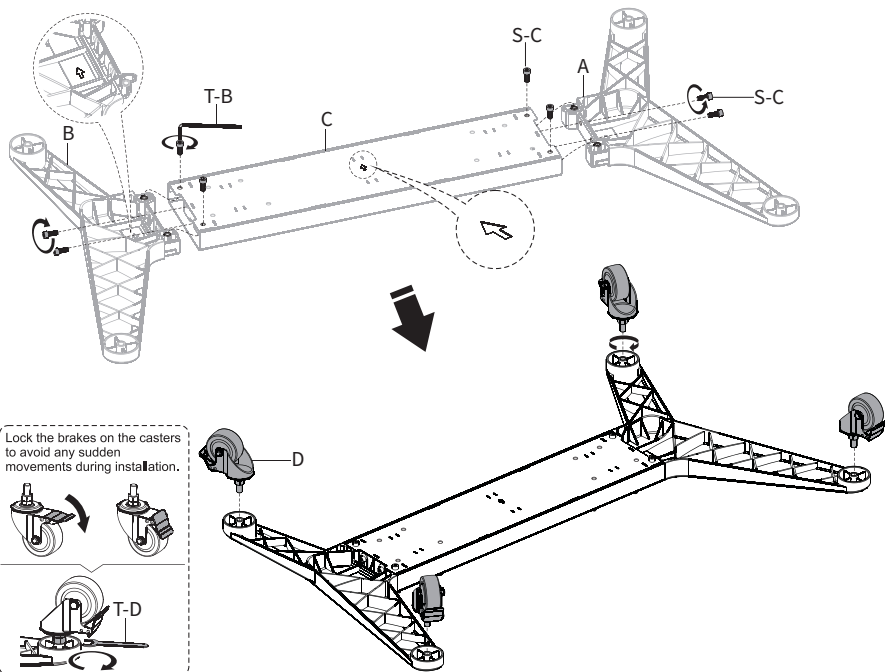
Failure to do so may result in serious injury.



ASSEMBLY STEPS

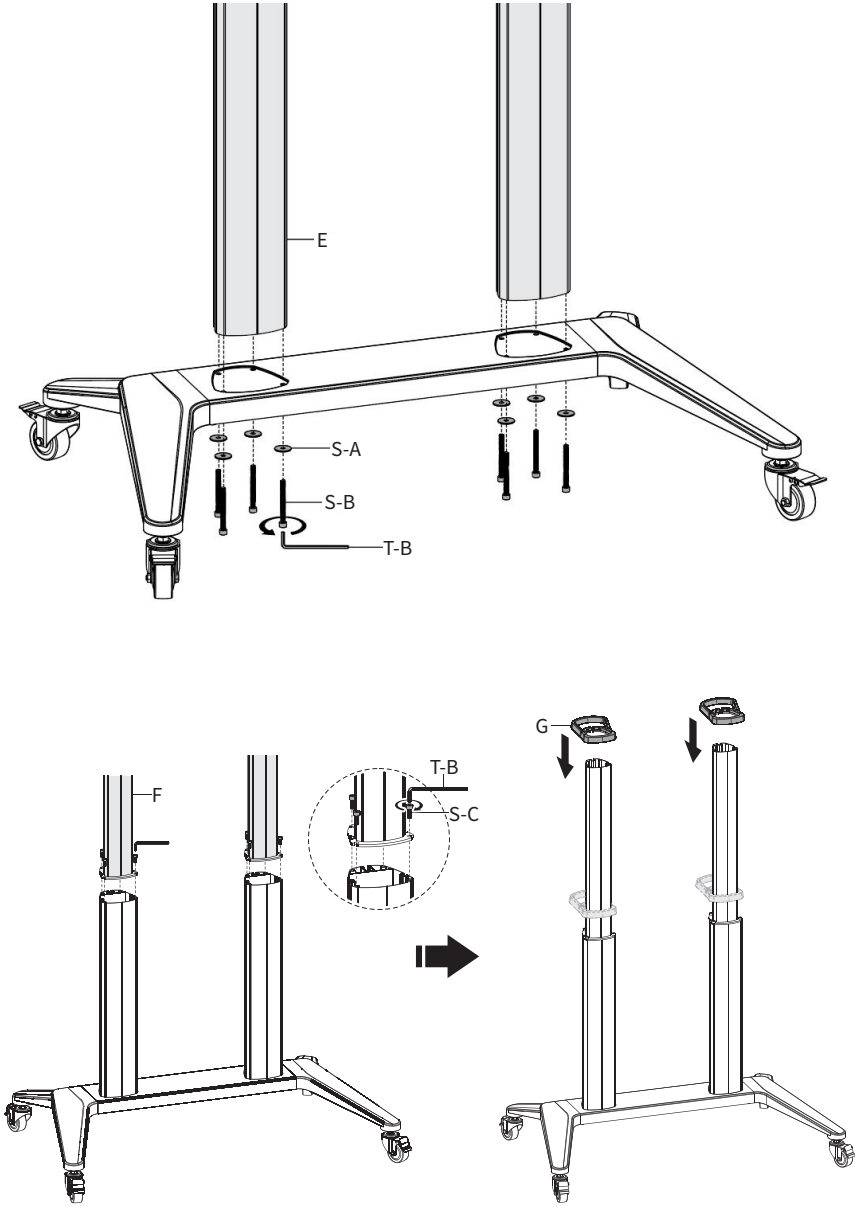
STEP 1

Attach Left Legs (**A**) and Right Leg (**B**) to Base (**C**) using M8x20mm Screws (**S-C**) and 6mm Allen Wrench (**T-B**) as shown in the figure below. Then attach Casters (**D**) to the legs using M12 Wrench (**T-D**).



STEP 2

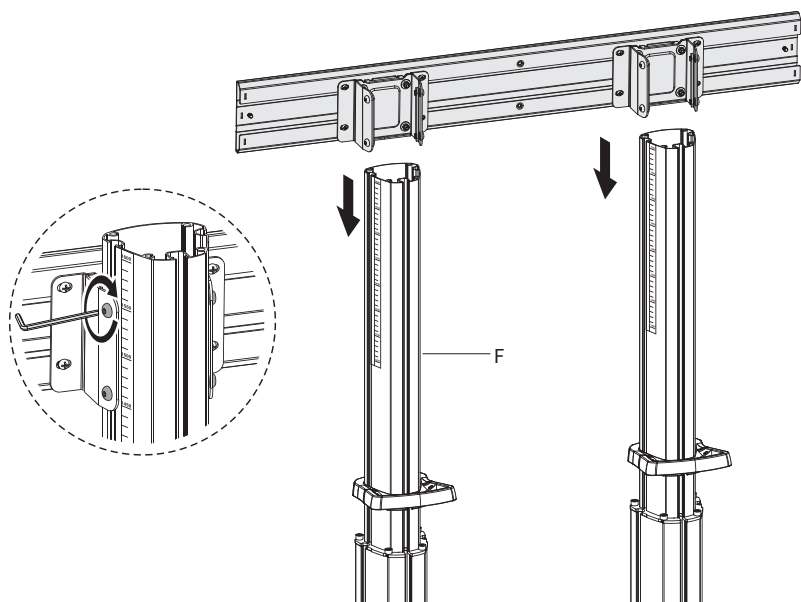
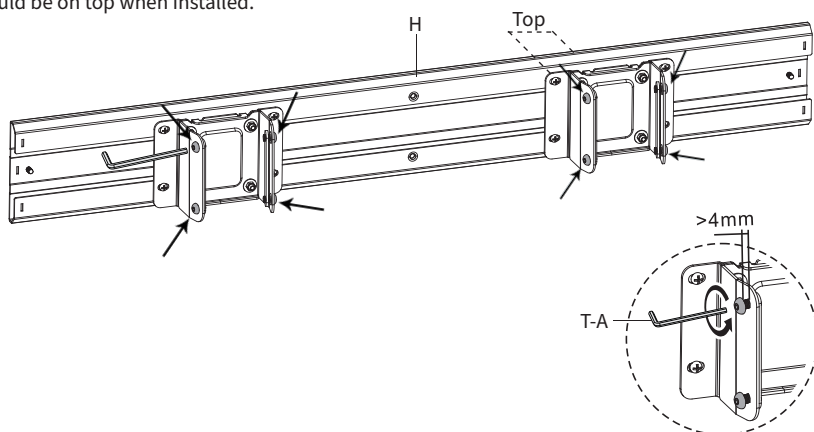
Attach Lower Columns (**E**) to the assembled base using M8x80mm Screws (**S-B**) with Washers (**S-A**) and 6mm Allen Wrench (**T-B**). Assemble Upper Columns (**F**) to Lower Columns (**E**) using M8x20mm Screws (**S-C**) and 6mm Allen Wrench (**T-B**). Then slide the Handles (**G**) over Upper Columns (**F**) as shown below.



STEP 3

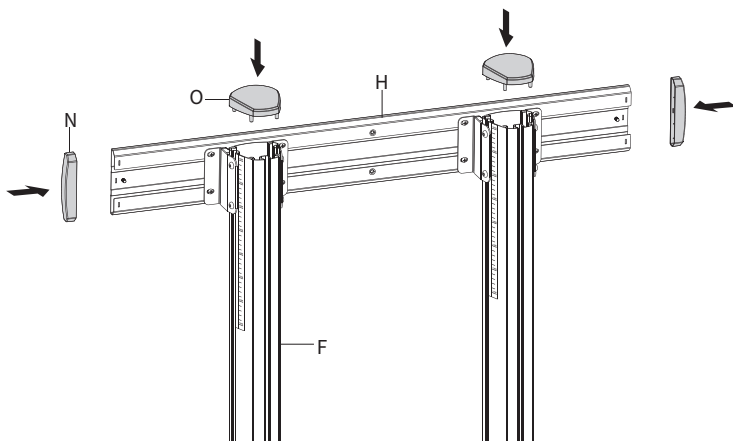
Loosen the 8 screws shown below on Mounting Plate (H) using 5mm Allen Wrench (T-A). Then slide Mounting Plate (H) down onto Upper Columns (F) and retighten the 8 Screws.

Note: There is a gap between the brackets on Mounting Plate (H) and the top of the plate. This gap should be on top when installed.



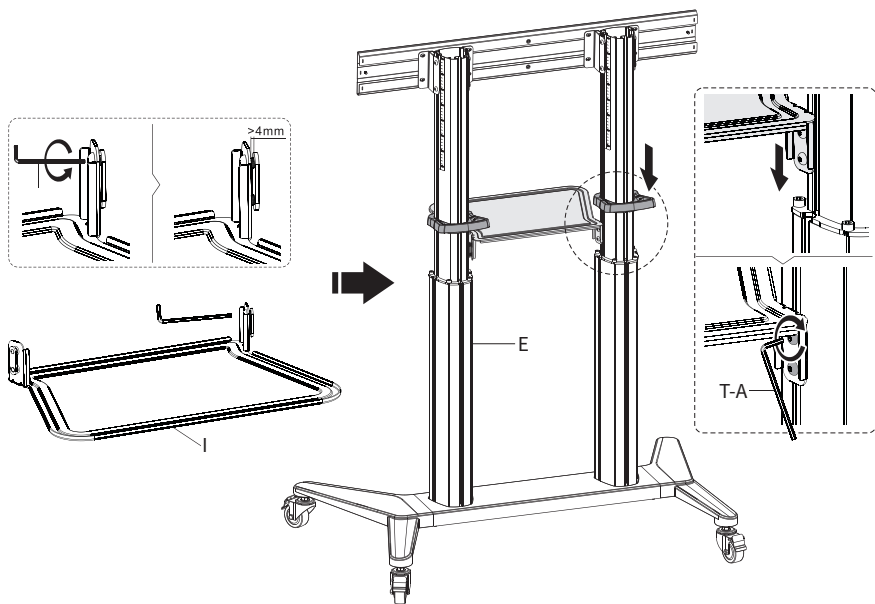
STEP 4

Press on Top Covers (**O**) into Upper Columns (**F**) and End Caps (**N**) onto Mounting Plate (**H**) as shown below.



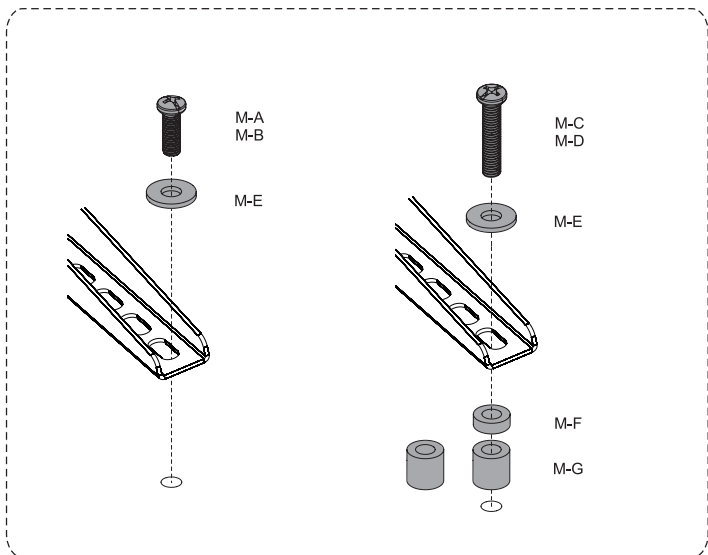
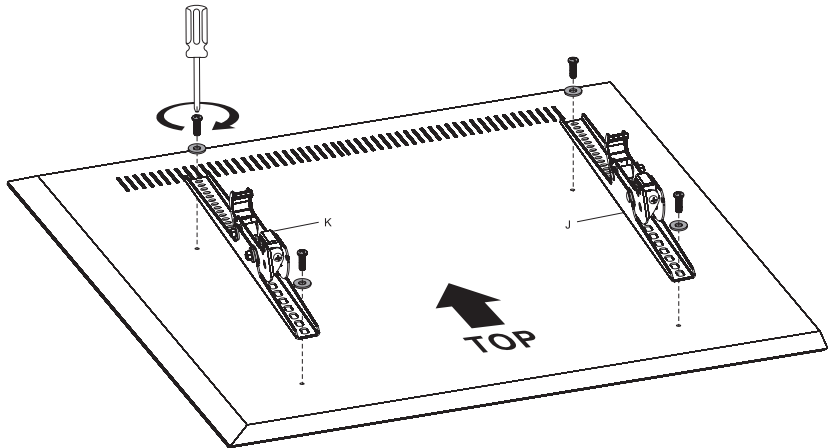
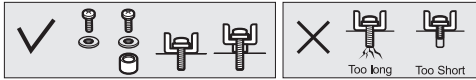
STEP 5

Loosen the two screws on both of the upright brackets on Media Shelf (**I**) using 5mm Allen Wrench (**T-A**). Then slide Media Shelf (**I**) down into the groove on Lower Columns (**E**) and then retighten the four screws at the desired height.



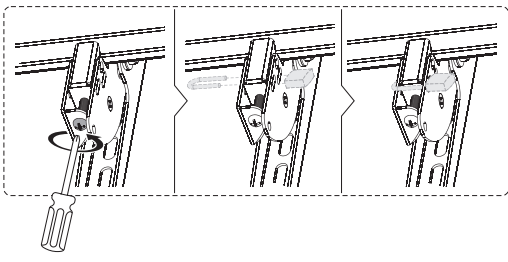
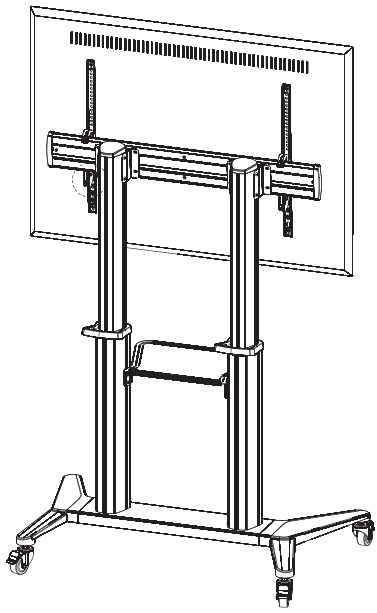
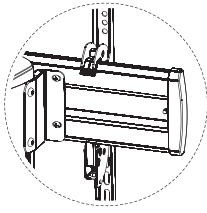
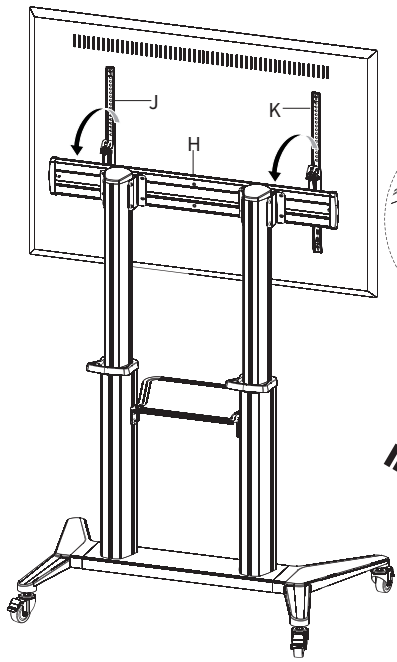
STEP 6

Assemble Left TV Bracket (**J**) and Right TV Bracket (**K**) to the back of the television using Screws (**M-A** thru **M-D**) with M8 Washers (**M-E**) and Spacers (**M-F, M-G**).



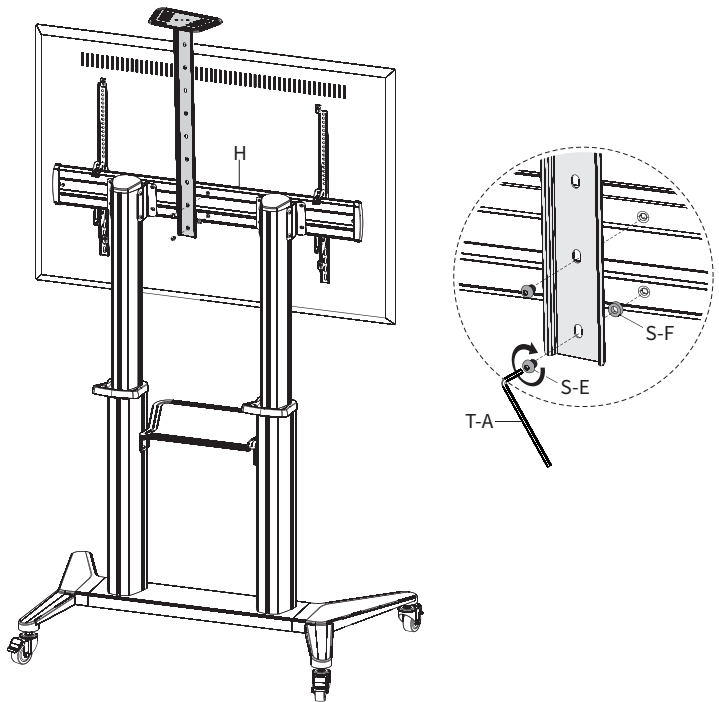
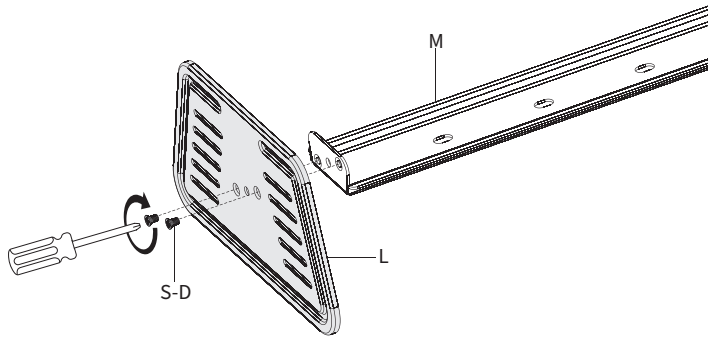
STEP 7

Hang the TV with Left TV Bracket (**J**) and Right TV Bracket (**K**) onto Mounting Plate (**H**). Secure it by tightening the security screw on the bottom of the TV brackets using a Phillips screwdriver.



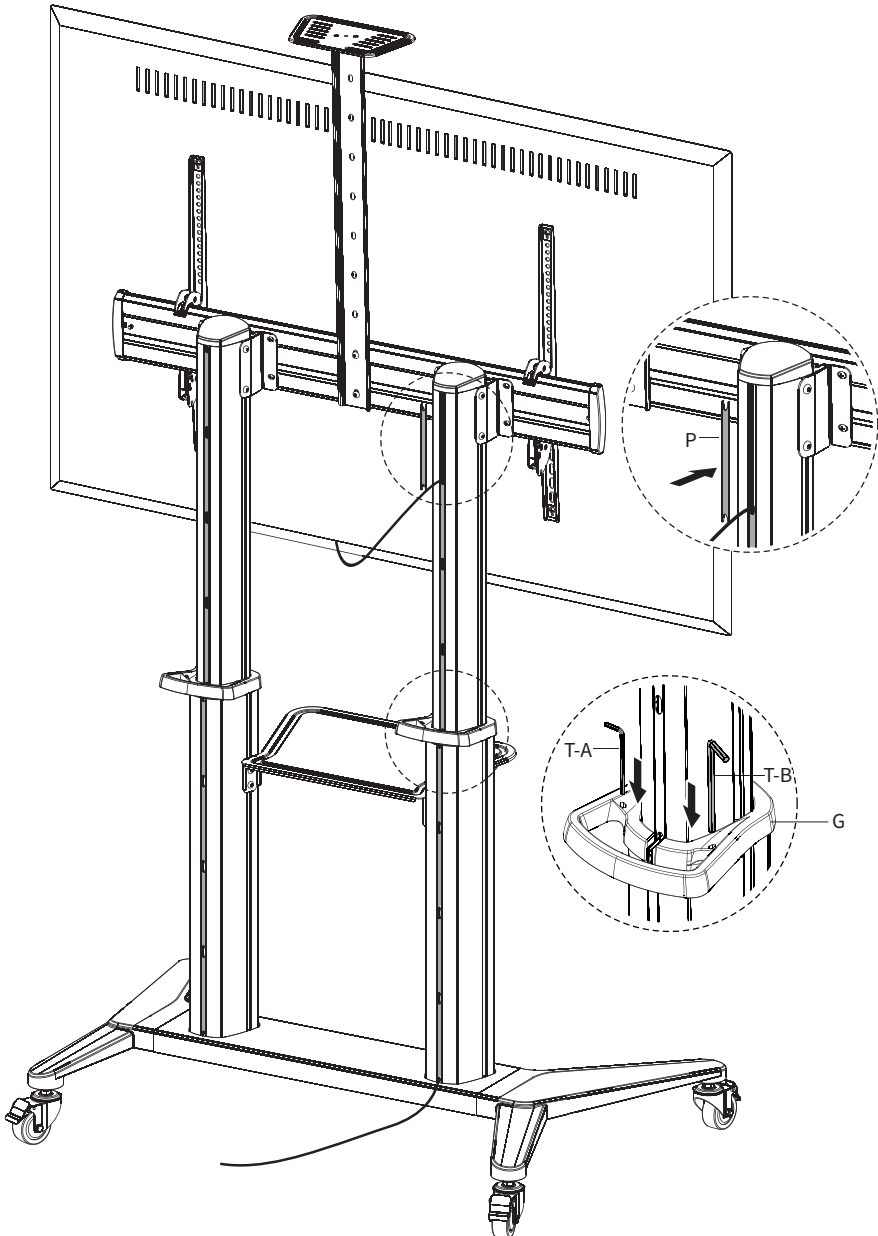
STEP 8

Attach Camera Shelf (**L**) to Camera Shelf Support (**M**) using M5x8mm Screws (**S-D**) and a Phillips screwdriver. Then mount Shelf Support (**M**) at the desired height on Mounting Plate (**H**) using M8x12mm Screws (**S-E**) with Spacer (**S-F**) and 5mm Allen Wrench (**T-A**), making sure the spacer goes between Camera Shelf Support (**M**) and Mounting Plate (**H**) in the bottom hole as shown below.



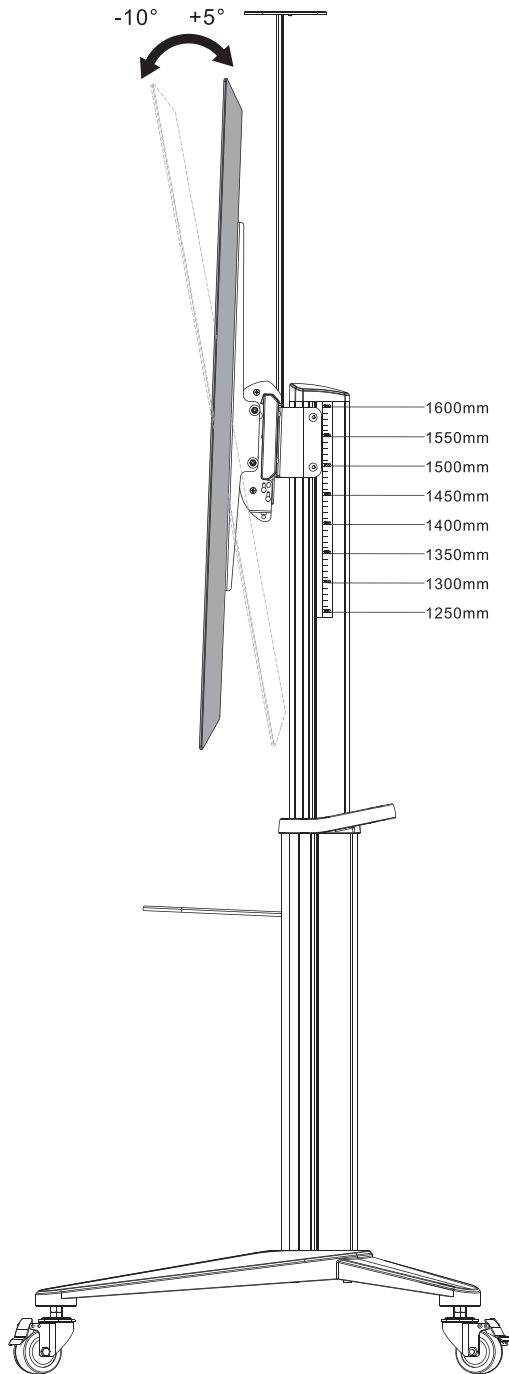
STEP 9

Route cables through the provided slots in the columns and attach the Cable Covers (**P**) to hold them in place. Store the Allen Wrenches (**T-A**, **T-B**) in the holes in Handles (**G**).



STEP 10

NOTE: Height marking represents the distance from the floor to the center of the brackets (this includes the casters).





Open **Monday - Friday 7:00am - 7:00pm** CST,
our dedicated support team can offer immediate assistance with rapid response times. If any parts are received damaged or defective, please contact us. We are happy to replace parts to ensure you have a fully functioning product.



309-278-5303

AVG. RESOLUTION TIME (*within office hrs*): **5M 4S**



www.vivo-us.com
Chat live with an agent!

AVG. RESOLUTION TIME (*within office hrs*): **< 15 M**



help@vivo-us.com

AVG. RESPONSE TIME (*within office hrs*): **1HR 8M**

- 23% within < 15m
- 38% within < 30m
- 61% within < 1hr
- 83% within < 2hr
- 92% within < 3hr