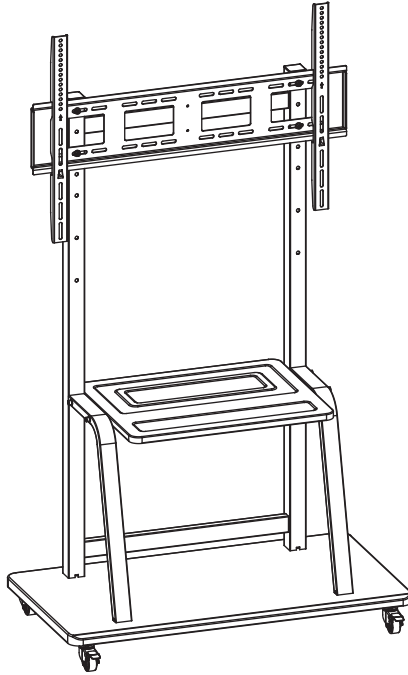




---

## Black Heavy Duty Mobile TV Cart Instruction Manual



**SKU: STAND-TV100C**



Scan the QR code with your mobile device or follow the link for helpful videos and specifications related to this product.

<https://vivo-us.com/products/stand-tv100c>

---

**GET IN TOUCH** | Monday-Friday from 7:00am-7:00pm CST



help@vivo-us.com



www.vivo-us.com  
*Chat live with an agent!*



309-278-5303

# ⚠ WARNING!

If you do not understand these directions, or if you have any doubts about the safety of the installation, please call a qualified technician. Check carefully to make sure there are no missing or defective parts. Improper installation may cause damage or serious injury. Do not use this product for any purpose that is not explicitly specified in this manual. Do not exceed weight capacity. We cannot be liable for damage or injury caused by improper mounting, incorrect assembly or inappropriate use.

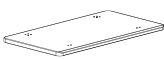
## ⚠ WARNING: CHOKING HAZARD

SMALL PARTS - NOT FOR CHILDREN UNDER 3 YEARS. ADULT SUPERVISION IS REQUIRED.

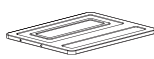
### PACKAGE CONTENTS



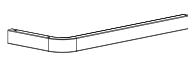
**A** (x1)  
Main Support



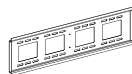
**B** (x1)  
Base



**C** (x1)  
Shelf



**D** (x2)  
Shelf Support



**E** (x1)  
TV Plate



**F** (x2)  
VESA Brackets



**G** (x4)  
Casters



**S-A** (x8)  
M8 Nut



**S-B** (x12)  
M8x40mm  
Screw



**S-C** (x12)  
M8x65mm  
Screw



**S-D** (x28)  
M8 Washer



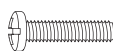
**M-A** (x4)  
M6x14mm  
Screw



**M-B** (x4)  
M8x16mm  
Screw



**M-C** (x4)  
M6x30mm  
Screw



**M-D** (x4)  
M8x35mm  
Screw



**M-E** (x4)  
M8 Washer



**M-F** (x4)  
Small Spacer



**M-G** (x4)  
Large Spacer



**T-A** (x1)  
6mm Allen  
Wrench



**T-B** (x1)  
Wrench

**DO NOT EXCEED WEIGHT CAPACITY.**  
Failure to do so may result in serious injury.

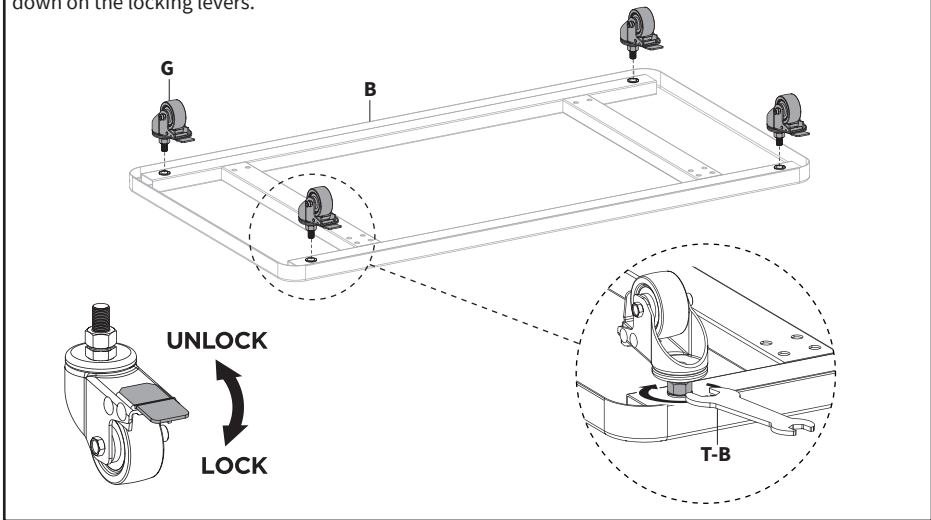
**NOTE:** SOME HARDWARE INCLUDED MAY NOT BE USED



# ASSEMBLY STEPS

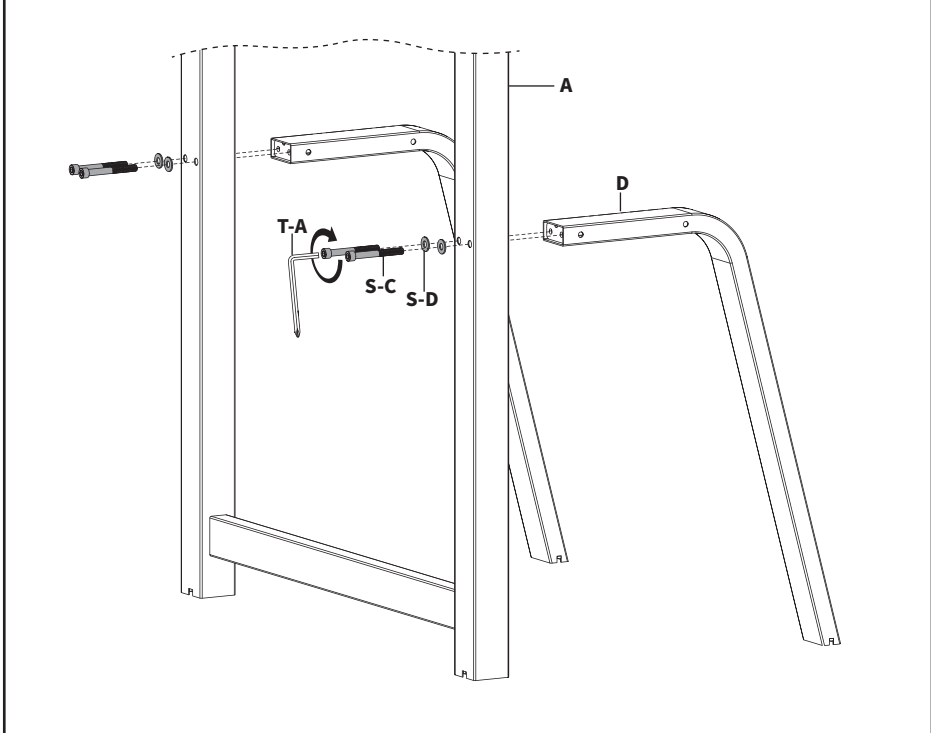
## STEP 1

Thread Casters (**G**) to Base (**B**) using Wrench (**T-B**). Casters (**G**) can be locked into place by pressing down on the locking levers.



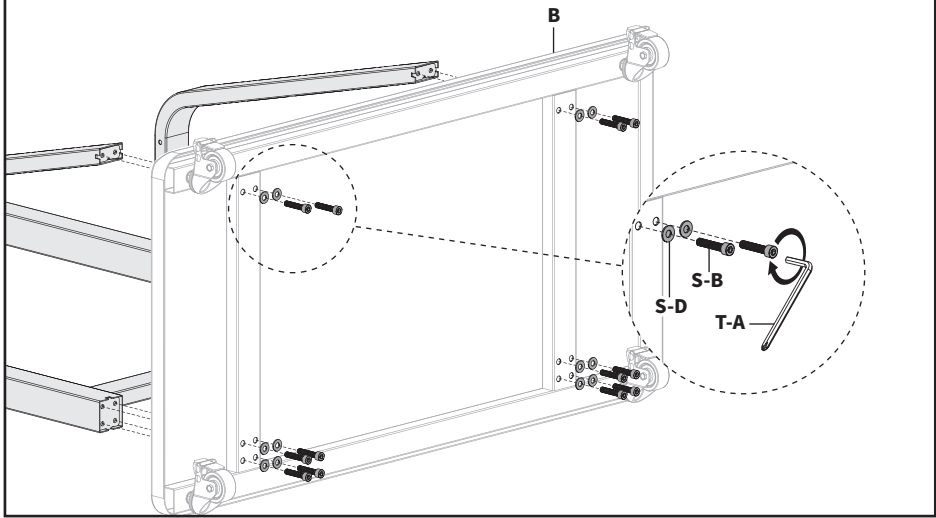
## STEP 2

Assemble Shelf Supports (**D**) to Main Support (**A**) using M8x65mm Screws (**S-C**), M8 Washers (**S-D**), and 6mm Allen Wrench (**T-A**).



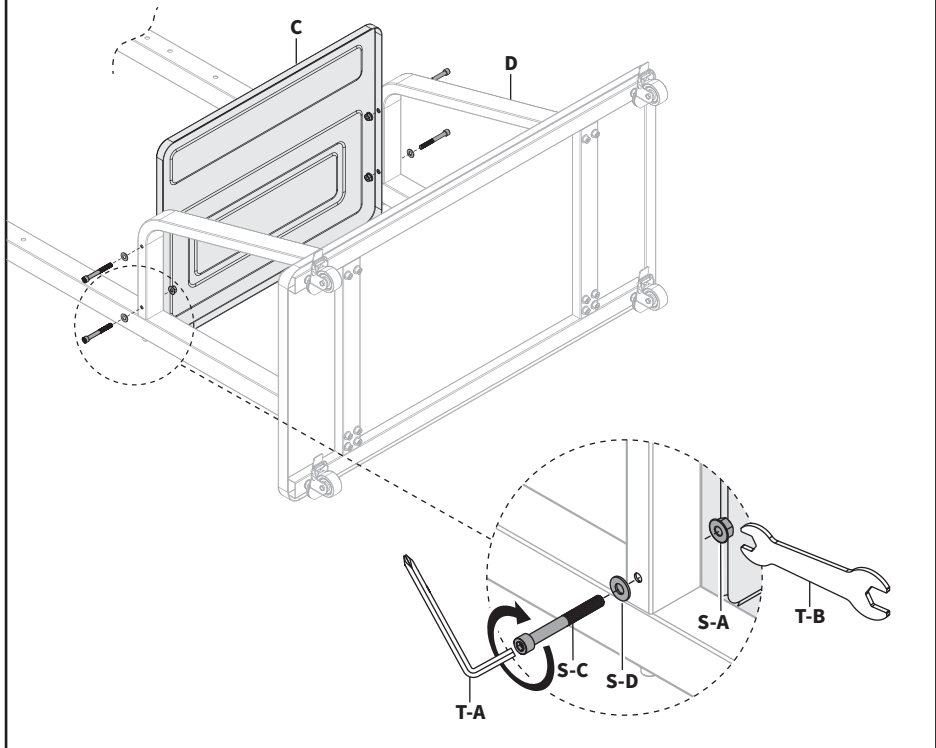
### STEP 3

Secure frame assembly to Base (B) using M8x40mm Screws (S-B), M8 Washers (S-D), and 6mm Allen Wrench (T-A).



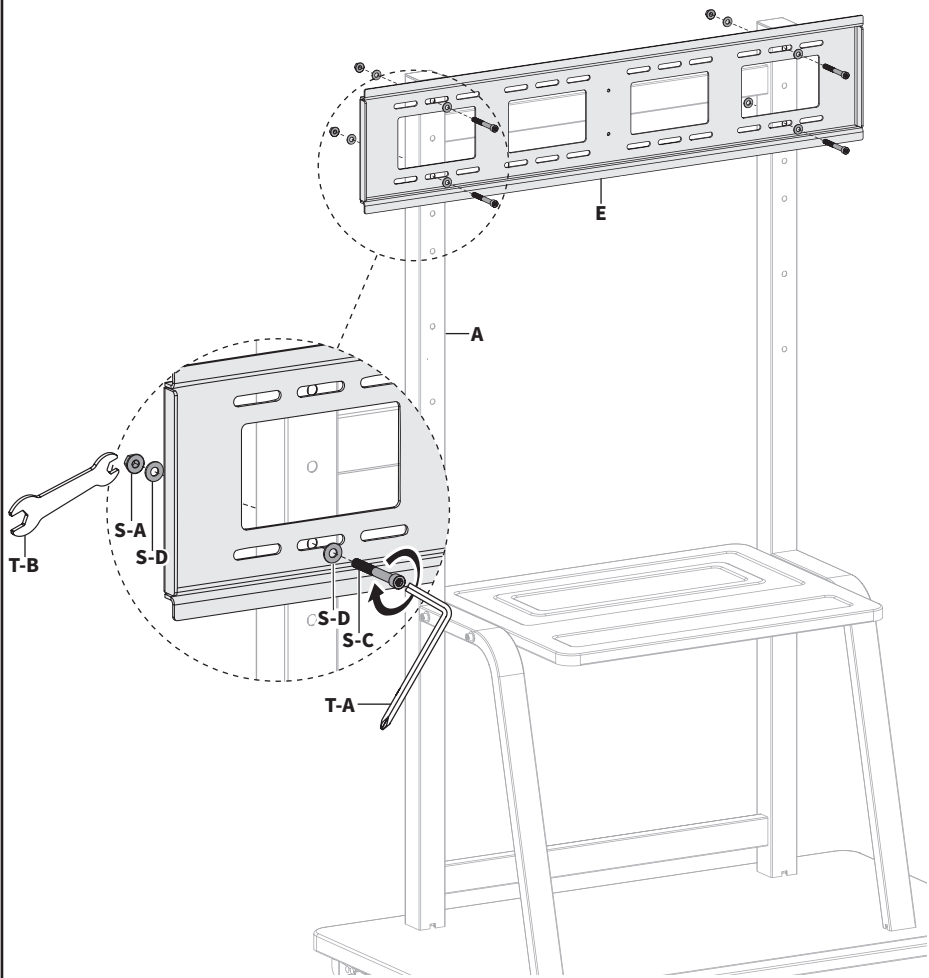
### STEP 4

Assemble Shelf (C) to Shelf Supports (D) using M8x65mm Screws (S-C), M8 Washers (S-D) and M8 Nuts (S-A). Tighten using Wrench (T-B) and 6mm Allen Wrench (T-A).



## STEP 5

Attach TV Plate (**E**) to Main Support (**A**) using M8x65mm Screws (**S-C**), M8 Washers (**S-D**), M8 Nuts (**S-A**), 6mm Allen Wrench (**T-A**), and Wrench (**T-B**). Plate can be mounted in one of five heights, shown below.



1



2



3



4



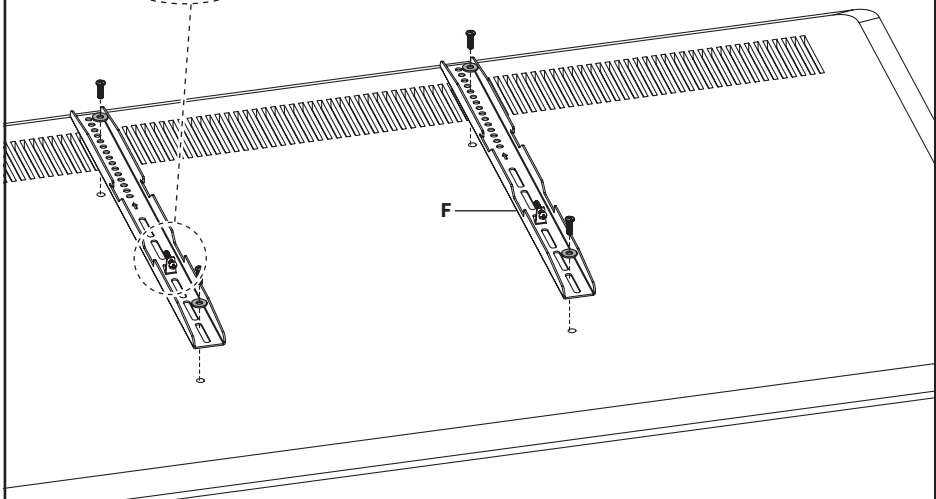
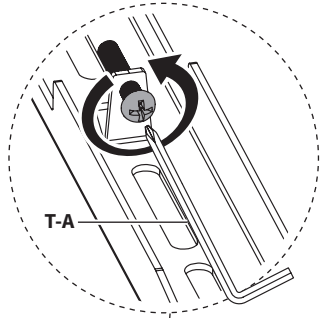
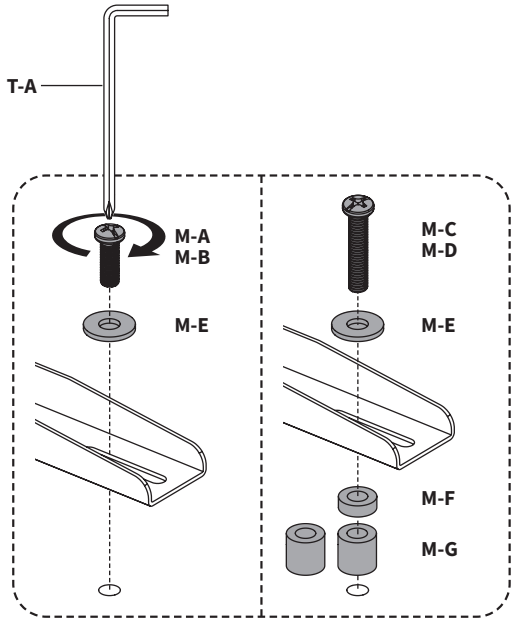
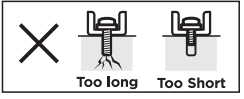
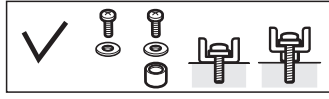
5



**TV Plate Mounting Options**

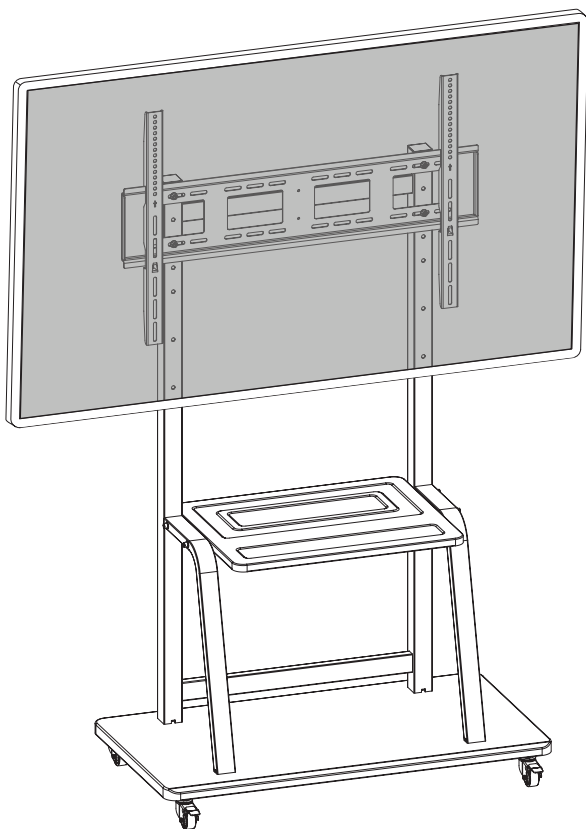
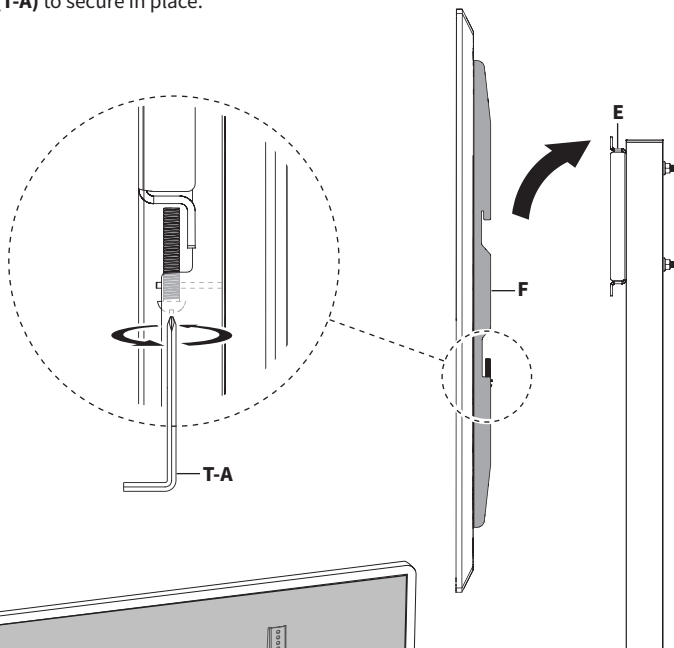
# STEP 6

Attach VESA Brackets (**F**) to TV using Screws (**M-A through M-D**), M8 Washers (**M-E**), Spacers (**M-F, M-G**), and 6mm Allen Wrench (**T-A**). Loosen the security screws on VESA Brackets (**F**) using 6mm Allen Wrench (**T-A**).



## STEP 7

Place TV with VESA Brackets (F) onto TV Plate (E). Tighten security screws on VESA Brackets (F) with 6mm Allen Wrench (T-A) to secure in place.





Open **Monday - Friday 7:00am - 7:00pm** CST,  
our dedicated support team can offer immediate assistance with rapid response times. If any parts are received damaged or defective, please contact us. We are happy to replace parts to ensure you have a fully functioning product.



309-278-5303

**AVG. RESOLUTION TIME** (*within office hrs*): **5M 4S**



[www.vivo-us.com](http://www.vivo-us.com)  
*Chat live with an agent!*

**AVG. RESOLUTION TIME** (*within office hrs*): **< 15 M**



[help@vivo-us.com](mailto:help@vivo-us.com)

**AVG. RESPONSE TIME** (*within office hrs*): **1HR 8M**

- 23% within < 15m
- 38% within < 30m
- 61% within < 1hr
- 83% within < 2hr
- 92% within < 3hr