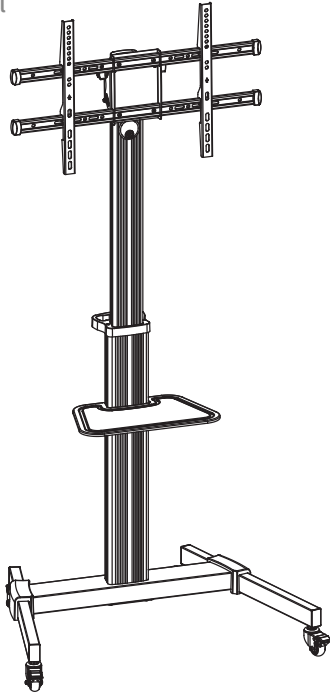




Silver Mobile TV Cart Instruction Manual



SKU: STAND-TV09



Scan the QR code with your mobile device or follow the link for helpful videos and specifications related to this product.

<https://vivo-us.com/products/stand-tv09>

GET IN TOUCH | Monday-Friday from 7:00am-7:00pm CST



help@vivo-us.com



www.vivo-us.com
Chat live with an agent!



309-278-5303

⚠️ WARNING!

If you do not understand these directions, or if you have any doubts about the safety of the installation, please call a qualified technician. Check carefully to make sure there are no missing or defective parts. Improper installation may cause damage or serious injury. Do not use this product for any purpose that is not explicitly specified in this manual. Do not exceed weight capacity. We cannot be liable for damage or injury caused by improper mounting, incorrect assembly or inappropriate use.

⚠️ TIPOVER WARNING

SERIOUS OR FATAL CRUSHING INJURIES CAN OCCUR FROM TIPOVER. TO HELP PREVENT TIPOVER:

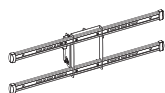
- NEVER ALLOW CHILDREN TO CLIMB, STAND, HANG, OR PLAY ON ANY PART OF TV OR TV CART.
- USE TIPOVER RESTRAINT OR ANCHOR STAND TO WALL

USE OF TIPOVER RESTRAINTS MAY ONLY REDUCE, BUT NOT ELIMINATE RISK OF TIPOVER.

⚠️ WARNING: CHOKING HAZARD

SMALL PARTS - NOT FOR CHILDREN UNDER 3 YEARS. ADULT SUPERVISION IS REQUIRED.

PACKAGE CONTENTS



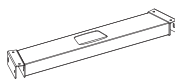
A (x1)
Mount



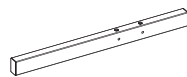
B (x1)
Upper
Column



C (x1)
Lower
Column



D (x1)
Base



E (x2)
Leg



F (x1)
Shelf



G (x2)
VESA Bracket



H (x1)
Column Cover



I (x1)
Left Cover



J (x1)
Right Cover



K (x1)
Support
Plate



L (x1)
Handle



M (x4)
Caster



N (x1)
Grommet
Cover



S-A (x2)
M6x8mm
Screw



S-B (x4)
M6x12mm
Screw



S-C (x4)
M6x16mm
Screw



S-D (x4)
M8x20mm
Screw



S-E (x4)
M8x30mm
Screw



S-F (x4)
M6x40mm
Screw



M-A (x4)
M6x14mm
Screw



M-B (x4)
M8x16mm
Screw



M-C (x4)
M6x30mm
Screw



M-D (x4)
M8x35mm
Screw



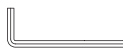
M-E (x4)
M8 Washer



M-F (x4)
Small Spacer



M-G (x4)
Large Spacer



T-A (x1)
5mm Allen
Wrench



T-B (x1)
6mm Allen
Wrench



T-C (x1)
Wrench

NOTE: SOME HARDWARE INCLUDED MAY NOT BE USED

TOOLS NEEDED



DO NOT EXCEED WEIGHT CAPACITY.

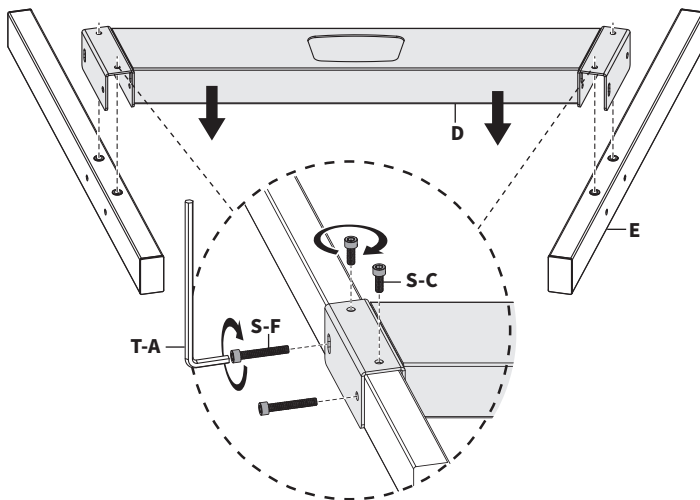
Failure to do so may result in serious injury.



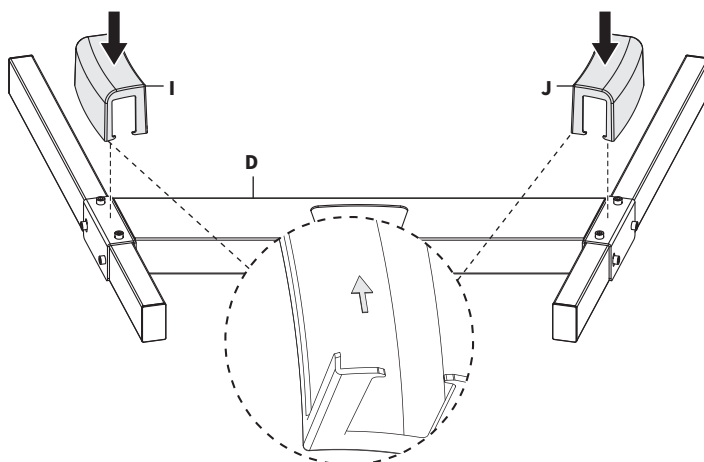
ASSEMBLY STEPS

STEP 1

Slide Base (D) over Legs (E) and fasten using M6x16mm Screws (S-C), M6x40mm Screws (S-F), and 5mm Allen Wrench (T-A).

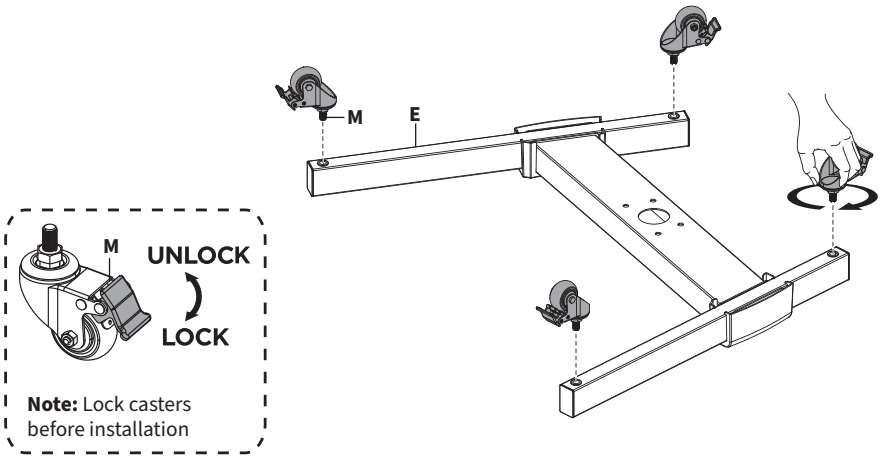


Snap Left and Right Covers (I, J) onto Base (D), making sure the arrows are facing towards the front.

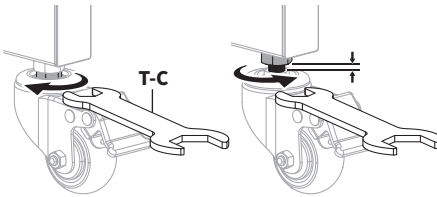


STEP 2

Press down the lever on Casters (M) to engage the lock. Screw Casters (M) onto Legs (E).



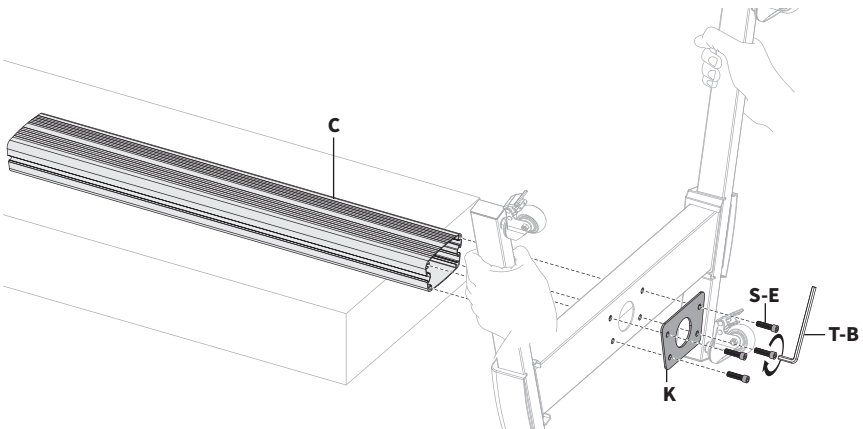
Use to Wrench (T-C) to adjust Caster height if needed.



STEP 3

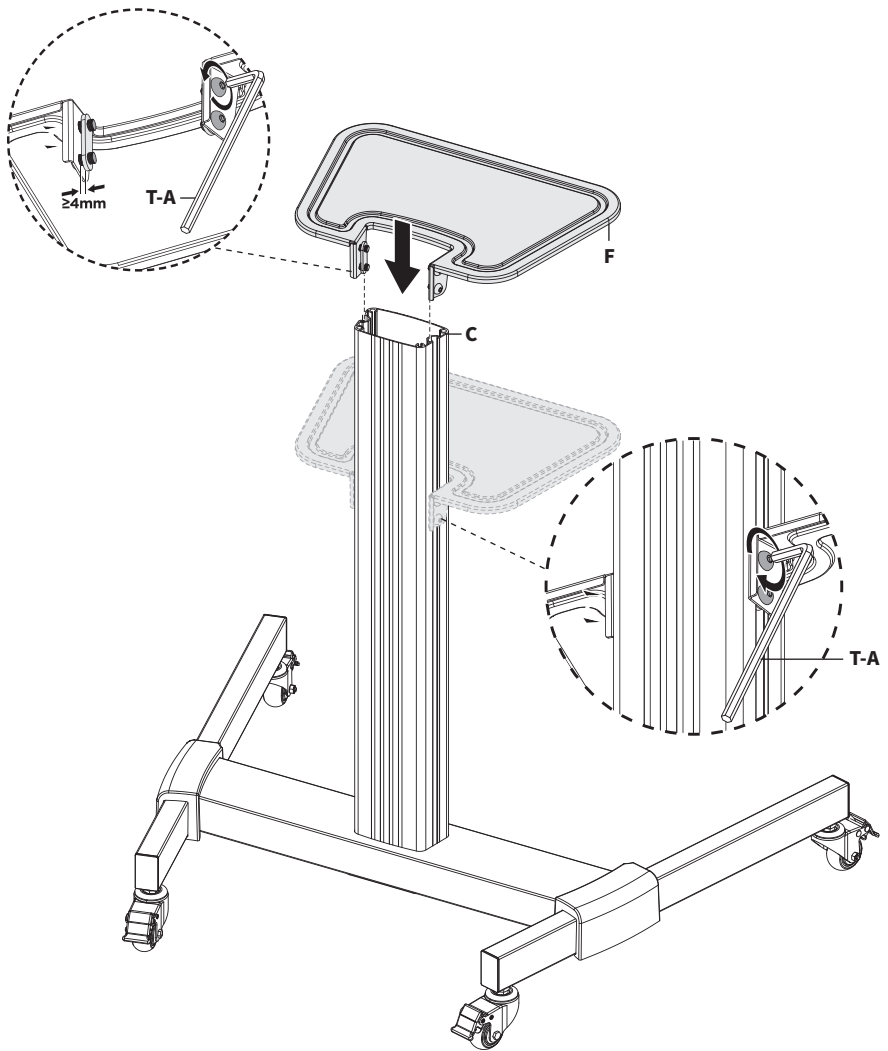
Lay Lower Column (C) on an elevated surface. Attach the base assembly to Lower Column (C) using Support Plate (K), M8x30mm Screws (S-E), and 6mm Allen Wrench (T-B).

Note: During installation, ensure the wider ends of the components are all facing towards the front of the base.



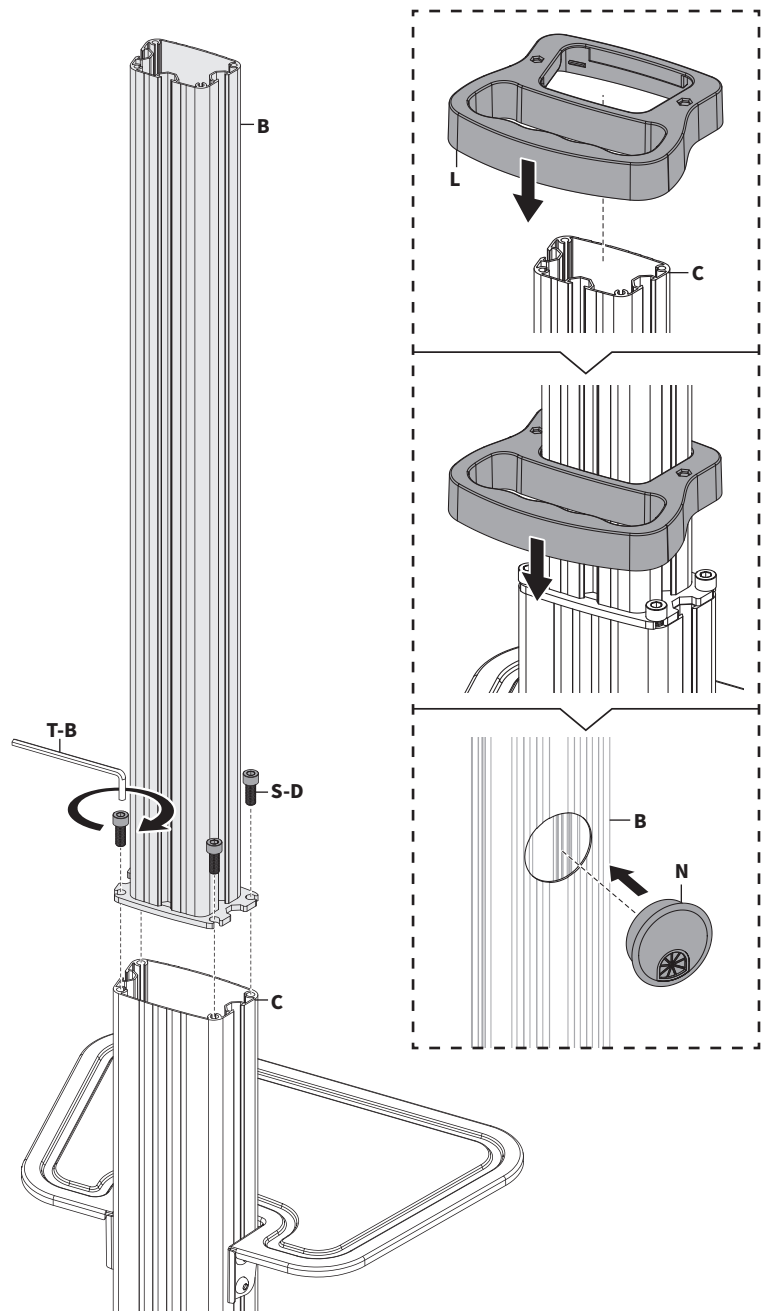
STEP 4

Loosen screws on Shelf (F) using 5mm Allen Wrench (T-A) to create a gap 4mm or larger between the shelf and metal plates. Slide Shelf (F) onto Lower Column (C), aligning the metal plates within the slots. Adjust the Shelf to desired height and tighten screws using 5mm Allen Wrench (T-A).



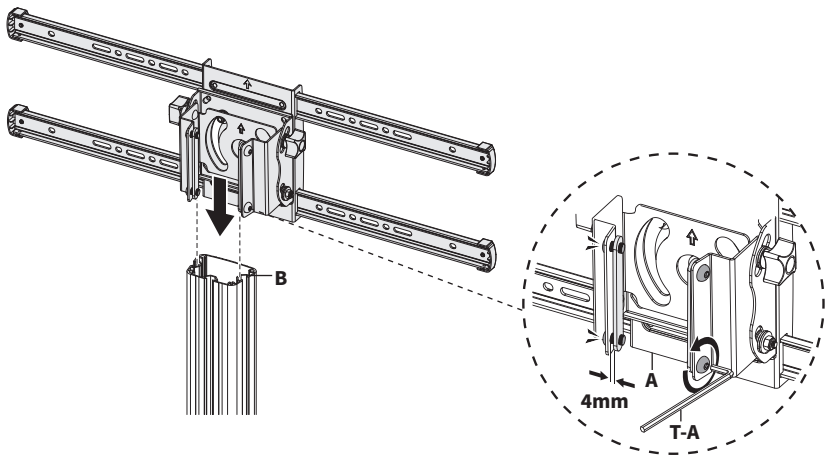
STEP 5

Attach Upper Column (B) to Lower Column (C) using M8x20mm Screws (S-D) and 6mm Allen Wrench (T-B). Slide Handle (L) onto Upper Column (B), ensure it fully covers the jointed section. Press Grommet Cover (N) into the cable access hole on Upper Column (B).

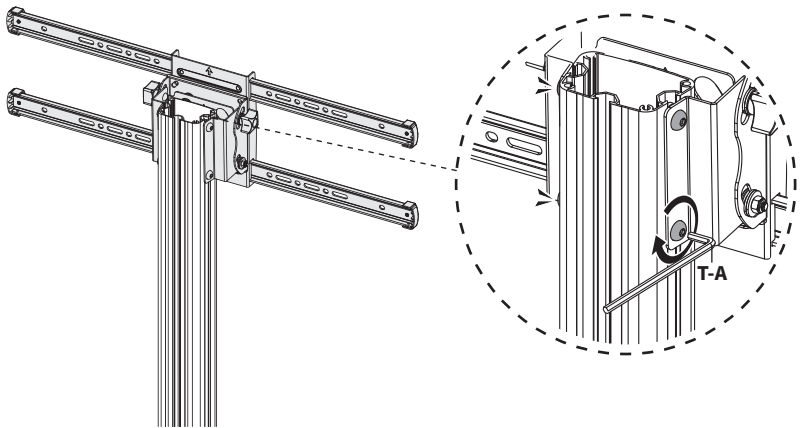


STEP 6

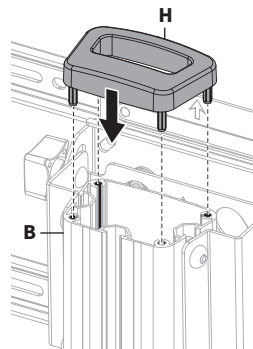
Loosen the screw on Mount **(A)** using 5mm Allen Wrench **(T-A)** to create a gap 4mm or larger between the mount and metal plates. Slide Mount **(A)** onto Upper Column **(B)** with the metal plates within the slots.



Adjust to desired height and tighten screws using 5mm Allen Wrench **(T-A)**.

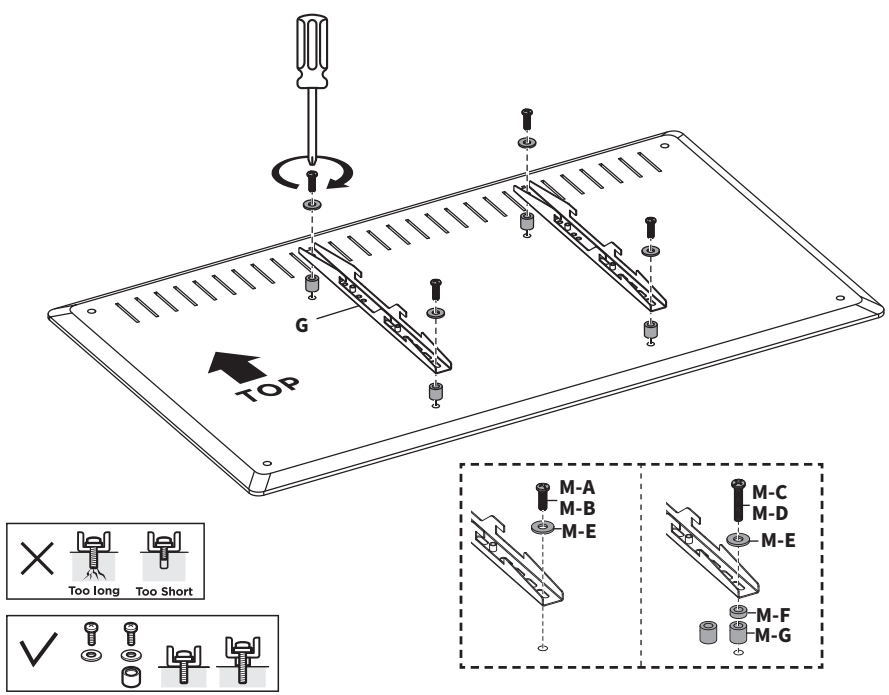


Install Column Cover **(H)** onto Upper Column **(B)**.



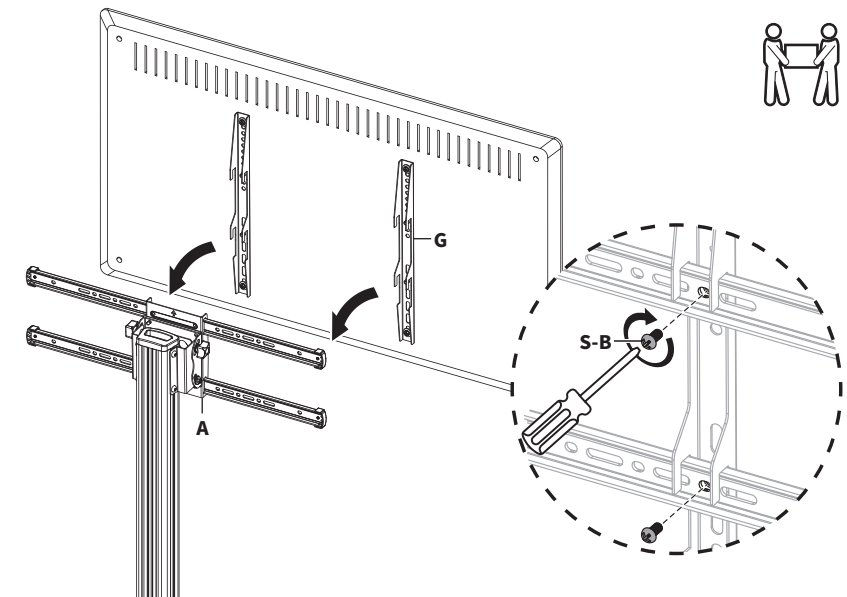
STEP 7

Attach VESA Brackets (G) to back of TV using appropriate screws (M-A thru M-D) and M8 Washers (M-E). If needed, Spacers (M-F, M-G) are provided.



STEP 8

Hang TV with VESA Brackets (G) onto Mount (A). Adjust the TV so it is positioned in the center of the Mount and fasten using M6x12mm Screws (S-B) and a Phillips screwdriver.



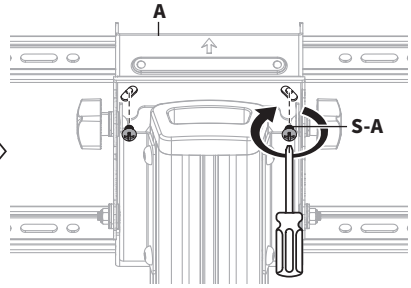
Adjust as Desired

LANDSCAPE ORIENTATION:

Ensure the arrow on Mount (A) is facing up. Lock the position using M6x8mm Screws (S-A) and a Phillips screwdriver.

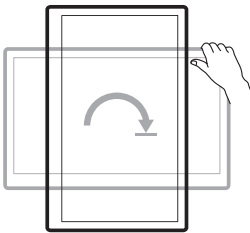


0°

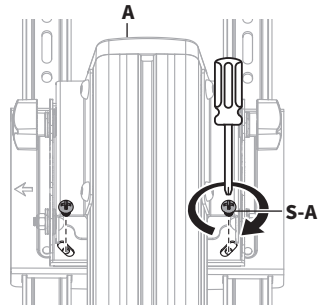


PORTRAIT ORIENTATION:

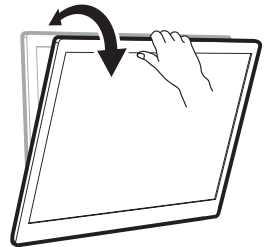
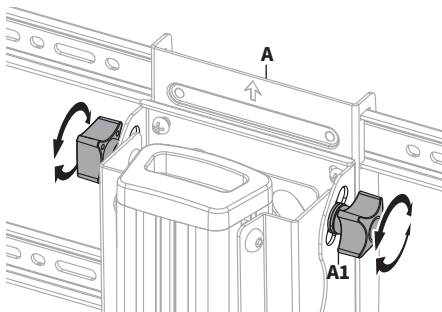
Rotate Mount (A) so the arrow is pointing sideways. Lock the position using M6x8mm Screws (S-A) and a Phillips screwdriver.



90°

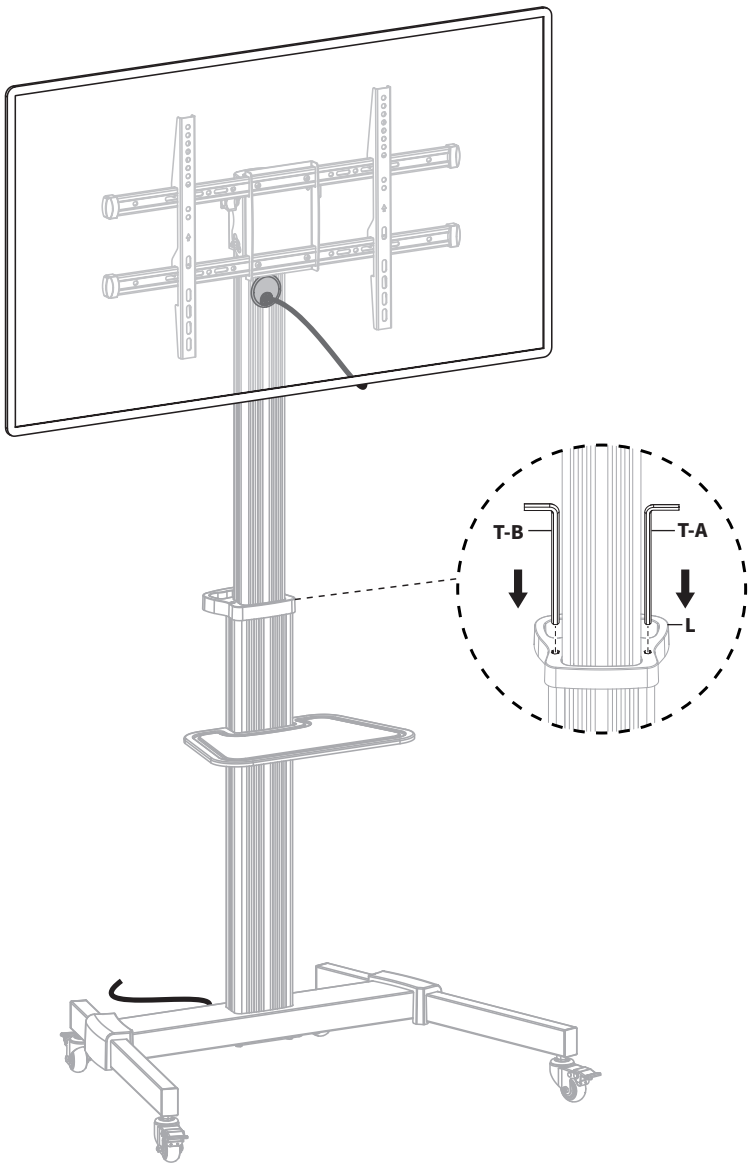


Loosen the Knobs (A1) on Mount (A) to adjust the tilt of the TV. Retighten to secure.



Cable Management

Use provided cable management holes on assembled stand to route cords. Store Allen Wrenches (**T-A**, **T-B**) in Handle (**L**) for future adjustments.



[THIS PAGE INTENTIONALLY LEFT BLANK]



Open **Monday - Friday 7:00am - 7:00pm** CST,
our dedicated support team can offer immediate assistance with rapid response times. If any parts are received damaged or defective, please contact us. We are happy to replace parts to ensure you have a fully functioning product.



309-278-5303

AVG. RESOLUTION TIME (*within office hrs*): **5M 4S**



www.vivo-us.com
Chat live with an agent!

AVG. RESOLUTION TIME (*within office hrs*): **< 15 M**



help@vivo-us.com

AVG. RESPONSE TIME (*within office hrs*): **1HR 8M**

- 23% within < 15m
- 38% within < 30m
- 61% within < 1hr
- 83% within < 2hr
- 92% within < 3hr