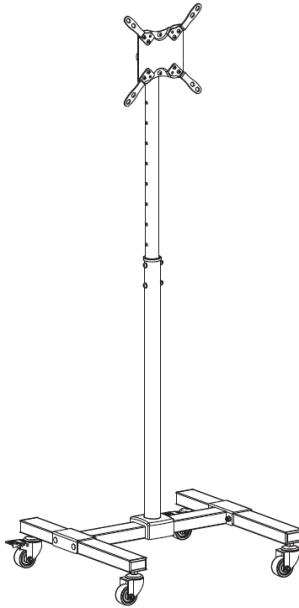




---

## Mobile TV Cart Instruction Manual



**SKU: STAND-TV07W/-W**



Scan the QR code with your mobile device or follow the link for helpful videos and specifications related to this product.

<https://vivo-us.com/products/stand-tv07w>

---

GET IN TOUCH | Monday-Friday from 7:00am-7:00pm CST



help@vivo-us.com



www.vivo-us.com  
*Chat live with an agent!*



309-278-5303

**⚠ WARNING!**

If you do not understand these directions, or if you have any doubts about the safety of the installation, please call a qualified technician. Check carefully to make sure there are no missing or defective parts. Improper installation may cause damage or serious injury. Do not use this product for any purpose that is not explicitly specified in this manual. Do not exceed weight capacity. We cannot be liable for damage or injury caused by improper mounting, incorrect assembly or inappropriate use.

**⚠ TIPOVER WARNING**

- SERIOUS OR FATAL CRUSHING INJURIES CAN OCCUR FROM TIPOVER. TO HELP PREVENT TIPOVER:
- NEVER ALLOW CHILDREN TO CLIMB, STAND, HANG, OR PLAY ON ANY PART OF TV OR TV CART.
  - USE TIPOVER RESTRAINT OR ANCHOR STAND TO WALL
- USE OF TIPOVER RESTRAINTS MAY ONLY REDUCE, BUT NOT ELIMINATE RISK OF TIPOVER.**

**PACKAGE CONTENTS**

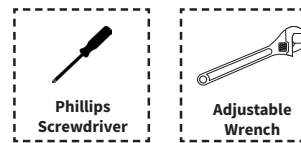
<b>A (x1)</b> Base	<b>B (x2)</b> Feet	<b>C (x1)</b> Center Pole	<b>D (x1)</b> VESA Plate	<b>E (x2)</b> Caster	<b>F (x2)</b> Locking Casters
<b>G (x2)</b> VESA Adapter	<b>H (x2)</b> VESA Adapter	<b>I (x1)</b> Plastic Cover			
<b>S-A (x8)</b> M5x10mm Screw	<b>S-B (x8)</b> M5 Lock Nut	<b>S-C (x5)</b> M6x65mm Carriage Bolt	<b>S-D (x5)</b> M6 Washer	<b>S-E (x5)</b> M6 Lock Nut	<b>S-F (x1)</b> M6 Flange Nut
<b>S-G (x4)</b> M6x12mm Bolt	<b>M-A (x4)</b> M4x14	<b>M-B (x4)</b> M5x14	<b>M-C (x4)</b> M6x14	<b>M-D (x4)</b> M8x20	<b>M-E (x4)</b> D5 Washer
<b>M-F (x4)</b> D8 Washer	<b>M-G (x8)</b> Spacer	<b>T-A (x1)</b> 4mm Allen Wrench	<b>T-B (x1)</b> Wrench		

**NOTE:** SOME HARDWARE INCLUDED MAY NOT BE USED

**⚠ WARNING: CHOKING HAZARD**

SMALL PARTS - NOT FOR CHILDREN UNDER 3 YEARS. ADULT SUPERVISION IS REQUIRED.

**TOOLS NEEDED**



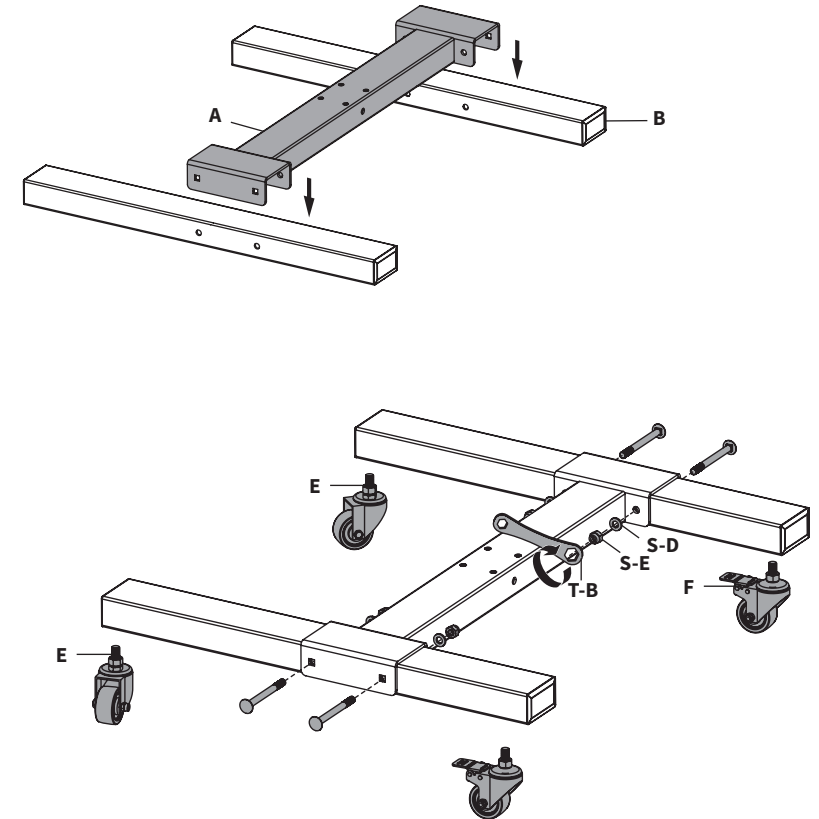
**DO NOT EXCEED WEIGHT CAPACITY.**  
Failure to do so may result in serious injury.

**44lbs**  
**(19.96kg)**

**ASSEMBLY STEPS**

**STEP 1**

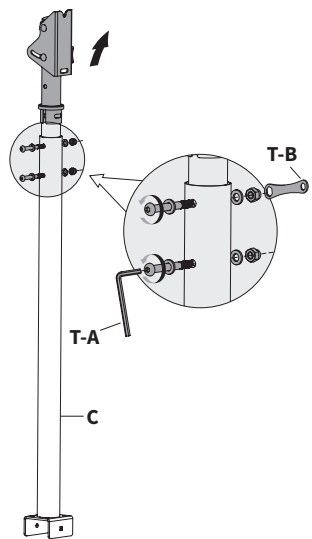
Attach Base (A) to Feet (B) using M6x65mm Carriage Bolts (S-C), M6 Washers (S-D), and M6 Lock Nuts (S-E). Tighten using provided Wrench (T-B). Screw on Casters (E,F) to the bottom of the Feet as shown below. Tighten Casters using an Adjustable Wrench (not provided).



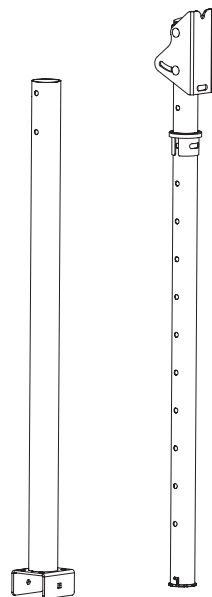
**NOTE:** You will need an adjustable wrench or a 17mm (11/16") wrench to tighten the Casters. Wrench included is intended to for this purpose.

## STEP 2

Remove the two bolts, four washers, and two nuts from the Center Pole (C) using Allen Wrench (T-A) and Wrench (T-B).

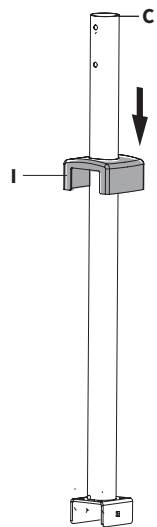


Separate pole into two halves.

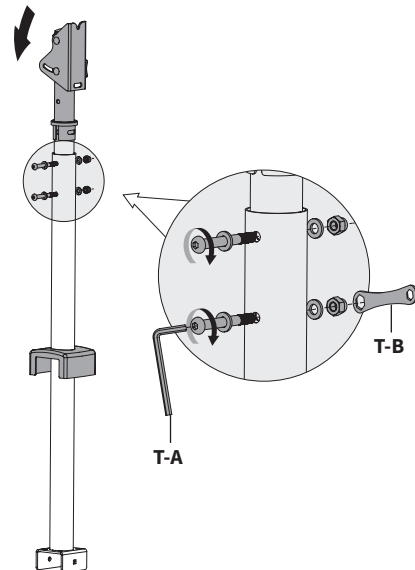


## STEP 3

Slide Plastic Cover (I) over Pole (C).

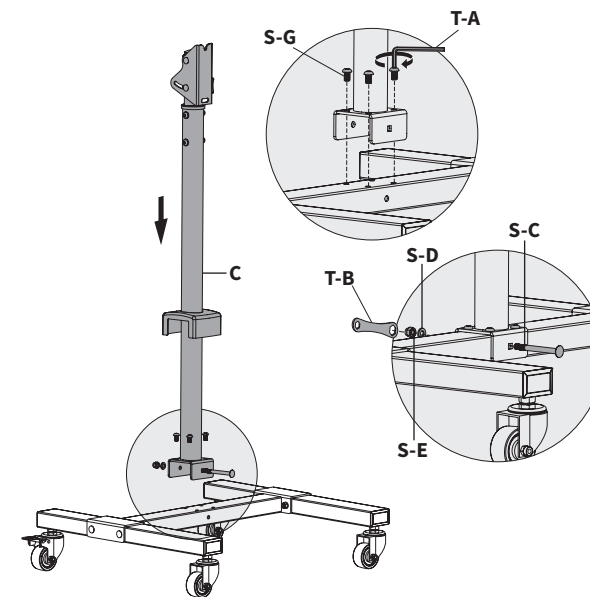


Slide the top half of the pole back into the bottom half and secure using the hardware you removed in Step 2, Allen Wrench (T-A), and Wrench (T-B).



## STEP 4

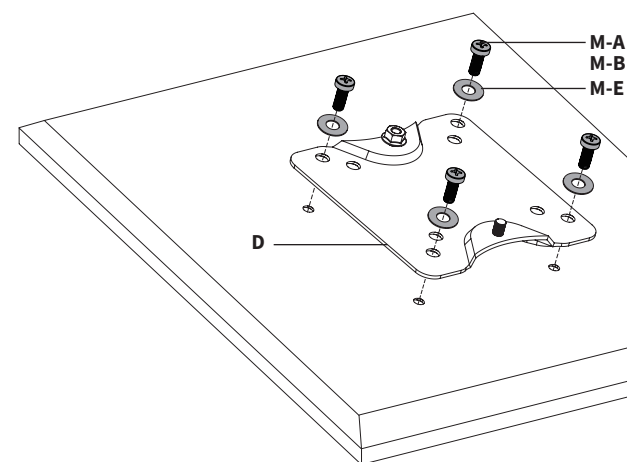
Attach Center pole (C) to Base (A) using M6x64 Carriage Bolt (S-C), M6 Washer (S-D), and M6 Lock Nut (S-E) through the front of Base. Use the M6x12mm Screws (S-G) to secure the top. Tighten using Allen Wrench (T-A) and Wrench (T-B).



## STEP 5

### OPTION A: VESA Plate Only

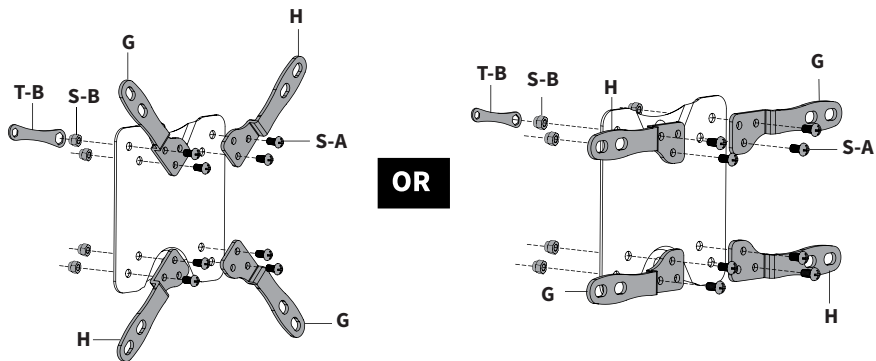
Use (M-A or M-B) Screws along with Washers (M-E) to attach the VESA Plate (D).



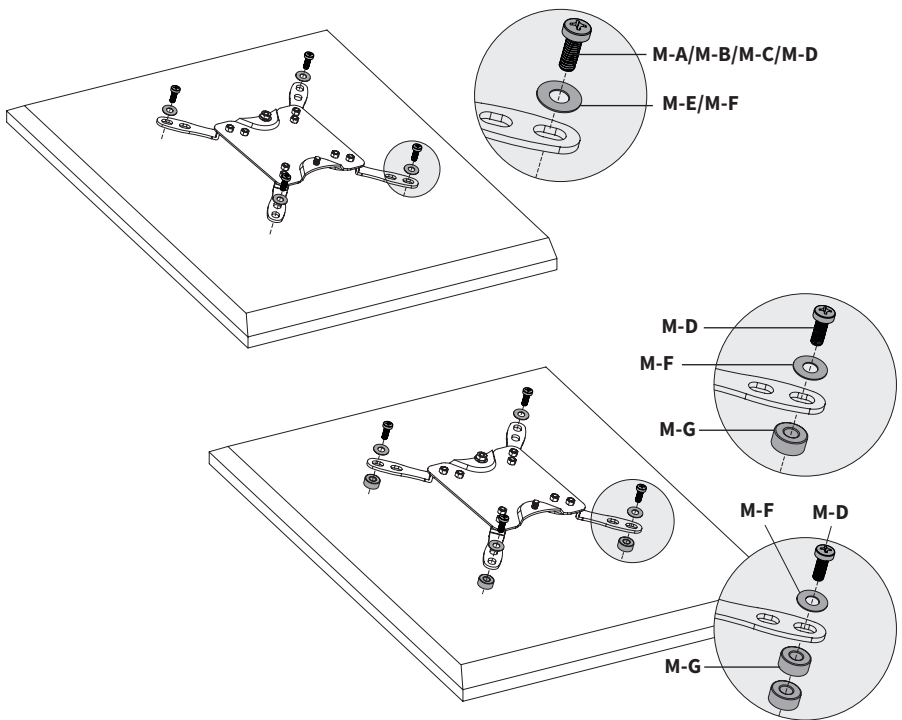
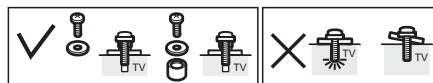
## STEP 5 (Continued)

### OPTION B: VESA Plate with Adapters

For TVs with VESA mounts at 200mm x 200mm or 200mm x 100mm, VESA Adapters (**G, H**) are required. Attach Adapters to VESA Plate (**D**) using M5x10mm Screws (**S-A**) and M5 Lock Nuts (**S-B**). Tighten using Wrench (**T-B**) and a Phillips screwdriver.

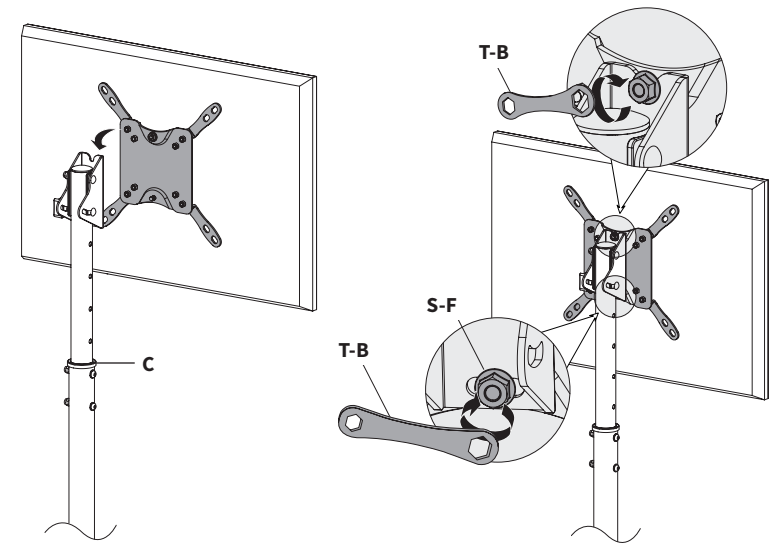


Then use Screws (**M-A thru M-D**) along with Washers (**M-E, M-F**) to secure VESA plate assembly to the back of your television. Make sure the "VIVO" logo is right side up. For a curved television, Spacers (**M-G**) may be required.

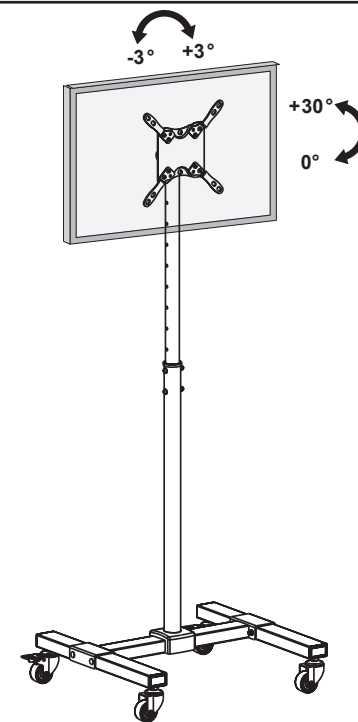


## STEP 6

To attach the TV to the stand, loosen the nut at the top of the VESA assembly, then slide the TV with VESA assembly into the slot on top of the mounting plate on Center Pole (**C**). Place M6 Flange Nut (**S-F**) onto bottom thread of VESA assembly and tighten both nuts using Wrench (**T-B**).



### Adjust as Desired





Open **Monday - Friday 7:00am - 7:00pm** CST,

our dedicated support team can offer immediate assistance with rapid response times. If any parts are received damaged or defective, please contact us. We are happy to replace parts to ensure you have a fully functioning product.



309-278-5303

**AVG. RESOLUTION TIME** (*within office hrs*): **5M 4S**

---



[www.vivo-us.com](http://www.vivo-us.com)  
*Chat live with an agent!*

**AVG. RESOLUTION TIME** (*within office hrs*): **< 15 M**

---



[help@vivo-us.com](mailto:help@vivo-us.com)

**AVG. RESPONSE TIME** (*within office hrs*): **1HR 8M**

- 23% within < 15m
- 38% within < 30m
- 61% within < 1hr
- 83% within < 2hr
- 92% within < 3hr