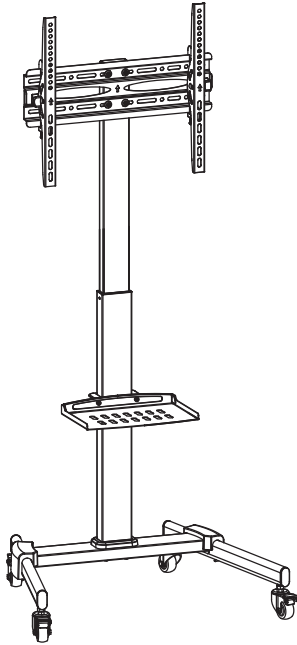




---

## Black Mobile TV Cart Instruction Manual



**SKU: STAND-TV05L**



Scan the QR code with your mobile device or follow the link for helpful videos and specifications related to this product.

<https://vivo-us.com/products/stand-tv05l>

---

GET IN TOUCH | Monday-Friday from 7:00am-7:00pm CST



help@vivo-us.com



www.vivo-us.com  
*Chat live with an agent!*



309-278-5303

# ! WARNING!

If you do not understand these directions, or if you have any doubts about the safety of the installation, please call a qualified technician. Check carefully to make sure there are no missing or defective parts. Improper installation may cause damage or serious injury. Do not use this product for any purpose that is not explicitly specified in this manual. Do not exceed weight capacity. We cannot be liable for damage or injury caused by improper mounting, incorrect assembly or inappropriate use.

## ! WARNING: CHOKING HAZARD

SMALL PARTS - NOT FOR CHILDREN UNDER 3 YEARS. ADULT SUPERVISION IS REQUIRED.



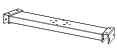
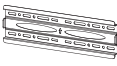









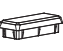














## ! TIPOVER WARNING

SERIOUS OR FATAL CRUSHING INJURIES CAN OCCUR FROM TIPOVER. TO HELP PREVENT TIPOVER:

- NEVER ALLOW CHILDREN TO CLIMB, STAND, HANG, OR PLAY ON ANY PART OF TV OR TV CART.
- USE TIPOVER RESTRAINT OR ANCHOR STAND TO WALL

**USE OF TIPOVER RESTRAINTS MAY ONLY REDUCE, BUT NOT ELIMINATE RISK OF TIPOVER.**

## PACKAGE CONTENTS

					
<b>A (x1)</b> Column	<b>B (x2)</b> Leg	<b>C (x1)</b> Center Base	<b>D (x1)</b> TV Plate	<b>E (x1)</b> Left VESA Bracket	<b>F (x1)</b> Right VESA Bracket
					
<b>G (x1)</b> Shelf	<b>H (x1)</b> Shelf Support	<b>I (x1)</b> Center Base Cover	<b>J (x4)</b> Caster	<b>K (x1)</b> Left Base Cover	<b>L (x1)</b> Right Base Cover
					
<b>M (x2)</b> Cable Grommet	<b>N (x1)</b> Top Cover	<b>O (x1)</b> Base Plate			
					
<b>S-A (x11)</b> 6x16mm Screw	<b>S-B (x4)</b> 6x35mm Screw	<b>S-C (x4)</b> 6x50mm Screw	<b>S-D (x8)</b> M6 Washer	<b>M-A (x4)</b> 6x14mm Screw	<b>M-B (x4)</b> 8x16mm Screw
					
<b>M-C (x4)</b> 6x30mm Screw	<b>M-D (x4)</b> 8x35mm Screw	<b>M-E (x4)</b> M8 Washer	<b>M-F (x8)</b> 5mm Spacer	<b>M-G (x8)</b> 15mm Spacer	<b>T-A (x1)</b> 5mm Allen Wrench
					
<b>T-B (x1)</b> Wrench					

**NOTE: SOME HARDWARE INCLUDED MAY NOT BE USED**

## TOOLS NEEDED



DO NOT EXCEED WEIGHT CAPACITY.

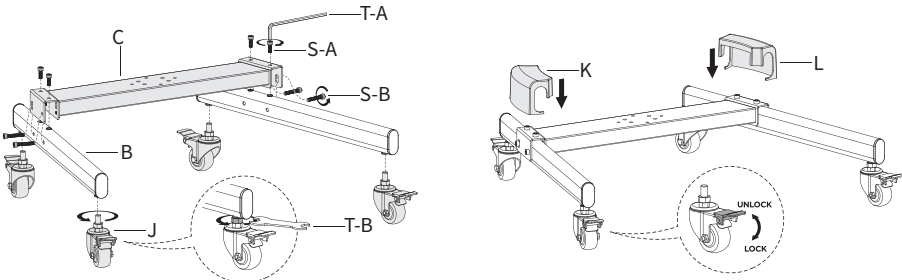
Failure to do so may result in serious injury.



## ASSEMBLY STEPS

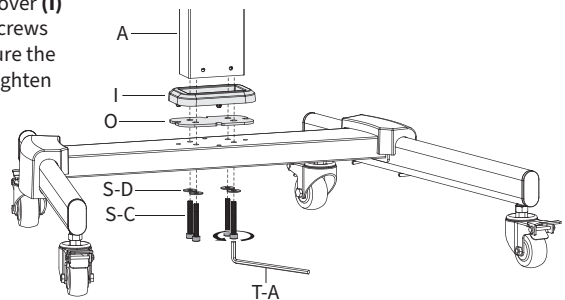
### STEP 1

Attach Legs (**B**) to Center Base (**C**) using M6x35 Screw (**S-B**) through the sides and M6x16 Screws (**S-A**) through the top, and tighten screws with 5mm Allen Wrench (**T-A**). Install Casters (**J**), adjusting if needed to sit level, and tighten nuts on stems against legs using Wrench (**T-B**). Snap Left Base Cover (**K**) and Right Base Cover (**L**) in place as shown, and lock Casters (**J**) by pressing down on the levers.



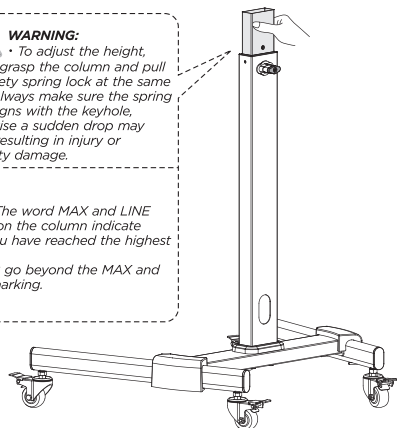
### STEP 2

Install Column (**A**) with Center Base Cover (**I**) and Base Plate (**O**) using M6x50mm Screws (**S-C**) with 6 Washers (**S-D**), making sure the lock and cable hole are in back, and tighten with the 5mm Allen Wrench (**T-A**).



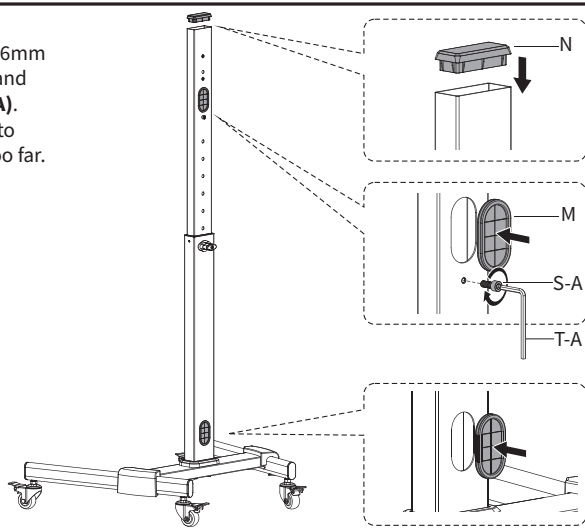
**Note:** The word MAX and LINE found on the column indicate that you have reached the highest setting. NEVER go beyond the MAX and LINE marking.

**CAUTION:** To prevent possible damage or injury due to dropping, do NOT release the column until the lock has fully engaged. Do not attempt to raise the column beyond the MAX line.



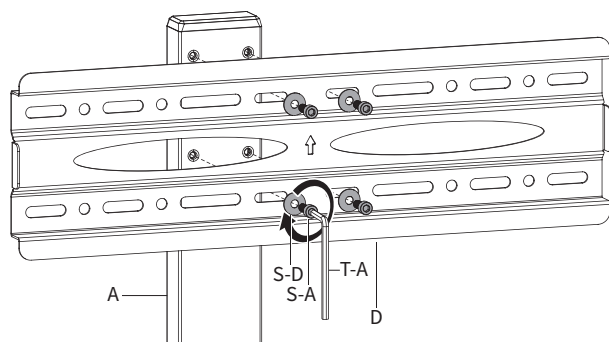
### STEP 3

Install Cable Grommets (**M**) and Top Cover (**N**) to the column. Insert M6x16mm Screw (**S-A**) into the back as shown and tighten using 5mm Allen Wrench (**T-A**). The screw will function as a stopper to prevent the column from lowering too far.



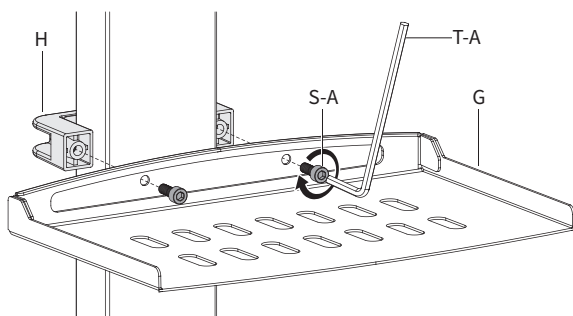
### STEP 4

Attach TV Plate (**D**) to Column (**A**) using M6x16mm Screws (**S-A**) with D6 Washers (**S-D**) and tighten with 5mm Allen Wrench (**T-A**).



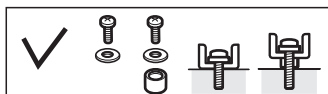
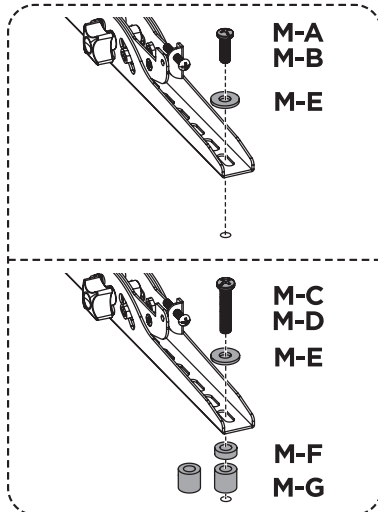
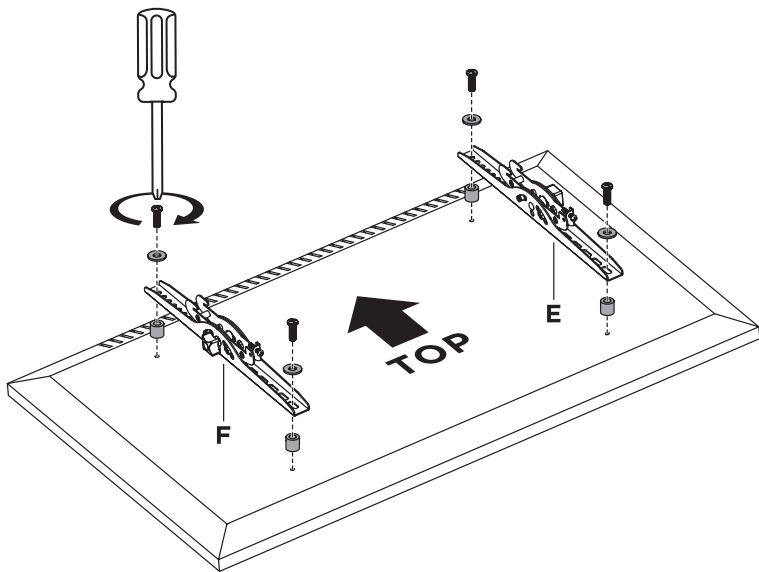
### STEP 5

Mount Shelf (**G**) and Shelf Support (**H**) to the column using M6x16mm Screws (**S-A**) and tighten at the desired height with 5mm Allen Wrench (**T-A**).



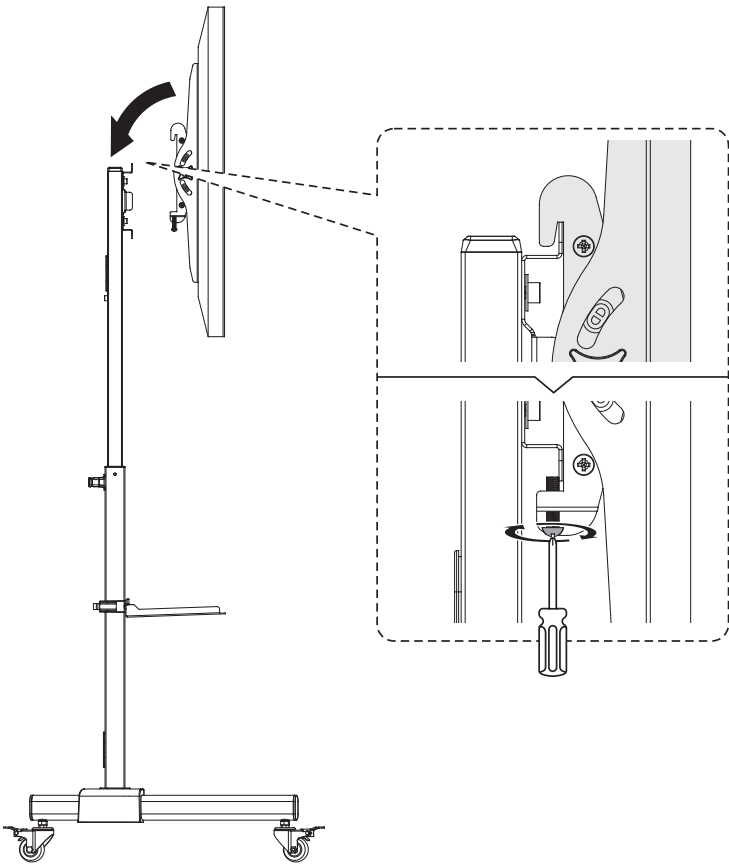
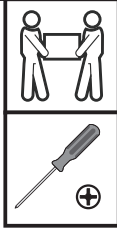
## STEP 6

Install Left VESA Bracket (**E**) and Right VESA Bracket (**F**) on the back of the TV using appropriate Screws (**M-A thru M-D**) with M8 Washers (**M-E**). Spacers (**M-F, M-G**) can be required.



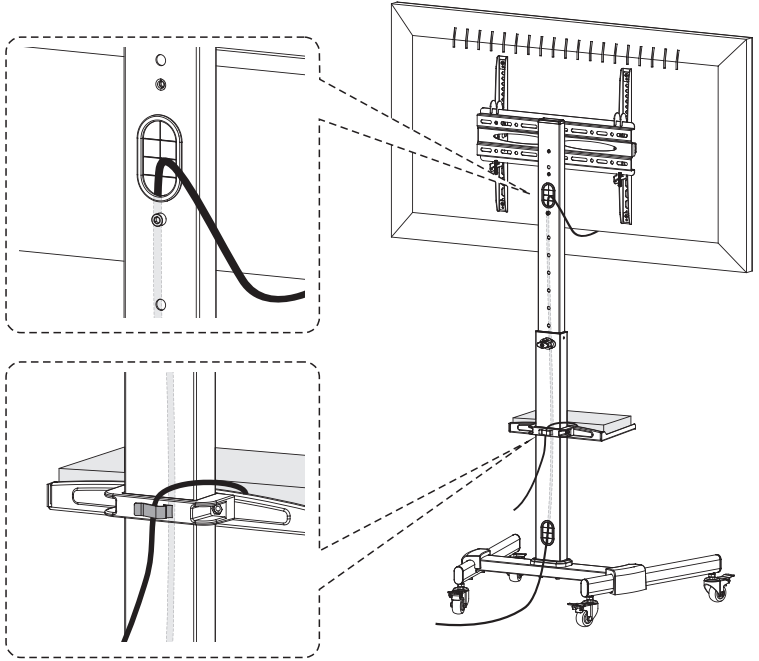
# STEP 7

Hang TV with VESA brackets onto TV plate as shown, and tighten security bolts using a Phillips screwdriver.



## STEP 8

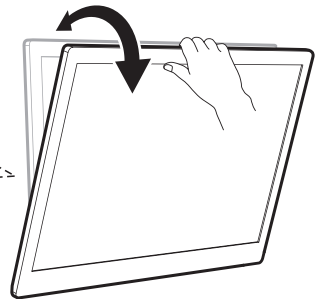
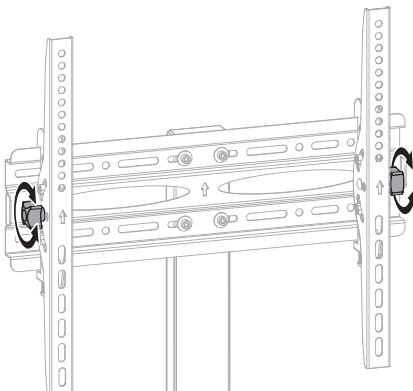
Organize cables using cable grommets and the cable clip on the back of the shelf support.



## STEP 9


Loosen the knobs on the VESA brackets to adjust TV tilt, then retighten.

**Note:** Adjust to the desired angle then tighten the screws using the tool as shown, alternating from each screw as you tighten them.





Open **Monday - Friday 7:00am - 7:00pm** CST,  
our dedicated support team can offer immediate assistance with rapid response times. If any parts are received damaged or defective, please contact us. We are happy to replace parts to ensure you have a fully functioning product.

 309-278-5303

**AVG. RESOLUTION TIME** (*within office hrs*): **5M 4S**

 [www.vivo-us.com](http://www.vivo-us.com)  
*Chat live with an agent!*

**AVG. RESOLUTION TIME** (*within office hrs*): **< 15 M**

 [help@vivo-us.com](mailto:help@vivo-us.com)

**AVG. RESPONSE TIME** (*within office hrs*): **1HR 8M**

- 23% within < 15m
- 38% within < 30m
- 61% within < 1hr
- 83% within < 2hr
- 92% within < 3hr