

Dual Screen Mobile TV Cart

SKU: STAND-TV03E2
Instruction Manual

Assembly Video & Product Info
www.vivo-us.com/products/stand-tv03e2



! CAUTION! !

If you do not understand these directions, or if you have any doubts about the safety of the installation, please contact our product support team at 309-278-5303 or help@vivo-us.com for further assistance. Check carefully to make sure there are no missing or defective parts. Improper installation may cause damage or serious injury. Do not use this product for any purpose that is not explicitly specified in this manual. Do not exceed weight capacity. We cannot be liable for damage or injury caused by improper mounting, incorrect assembly or inappropriate use.



WARNING: CHOKING HAZARD

SMALL PARTS - NOT FOR CHILDREN UNDER 3 YEARS. ADULT SUPERVISION IS REQUIRED.



DO NOT EXCEED WEIGHT CAPACITY

FAILURE TO DO SO MAY RESULT IN SERIOUS INJURY.



TIPOVER WARNING

**SERIOUS OR FATAL CRUSHING INJURIES CAN OCCUR FROM TIPOVER.
TO HELP PREVENT TIPOVER:**

- NEVER ALLOW CHILDREN TO CLIMB, STAND, HANG, OR PLAY ON ANY PART OF TV OR TV CART
- USE TIPOVER RESTRAINT OR ANCHOR STAND TO WALL

USE OF TIPOVER RESTRAINTS MAY ONLY REDUCE, BUT NOT ELIMINATE RISK OF TIPOVER.

We're Here for You

Open **Monday - Friday 7:00am - 7:00pm** CST, our dedicated support team can offer immediate assistance with rapid response times. If any parts are received damaged or defective, please contact us. We are happy to replace parts to ensure you have a fully functioning product.



Give us a Call:
309-278-5303

AVG. RESOLUTION TIME (*within office hrs*): **5M 4S**



Chat Us:
www.vivo-us.com

AVG. RESOLUTION TIME (*within office hrs*): **< 15 M**

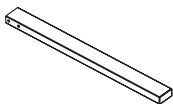


Email Us:
help@vivo-us.com

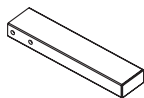
AVG. RESPONSE TIME (*within office hrs*): **1HR 8M**

- 23% within < 15m
- 38% within < 30m
- 61% within < 1hr
- 83% within < 2hr
- 92% within < 3hr

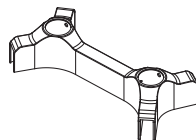
Package Contents



A (x2)
Long Foot



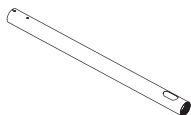
B (x2)
Short Foot



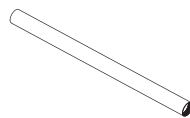
C (x1)
Base w/Cover



D (x2)
Grommet
Cover



E (x2)
Lower Pole



F (x2)
Top Pole



G (x2)
Pole Connector



H (x4)
Pole Cover



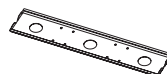
I (x4)
Caster



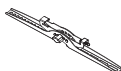
J (x4)
Universal Plate
Connector



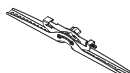
K (x4)
Plastic Spacer



L (x2)
Universal Plate



M (x2)
Right VESA Bracket



N (x2)
Left VESA Bracket

Included Hardware & Tools



S-A (x8)
M6x60mm
Screw



S-B (x4)
M6 Socket
Plate



S-C (x18)
M6x10mm
Screw



S-D (x2)
M5x6mm Set
Screw



M-A (x8)
M4x12mm
Screw



M-B (x8)
M4x30mm
Screw



M-C (x8)
M6x20mm
Screw



M-D (x8)
M6x35mm
Screw



M-E (x8)
M8x20mm
Screw



M-F (x8)
M8x35mm
Screw



M-G (x8)
M8x50mm
Screw



M-H (x8)
M4 Washer



M-I (x24)
M6 Washer



M-J (x8)
M8 Washer



M-K (x8)
M4/6 Spacer
(13mm)



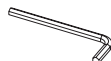
M-L (x8)
M6/8 Spacer
(20mm)



M-M (x16)
M6/8 Spacer
(5mm)



T-A (x1)
2.5mm Allen
Wrench



T-B (x1)
4mm Allen
Wrench



T-C (x1)
5mm Allen
Wrench



T-D (x1)
Wrench



T-E (x1)
Level

Tools Needed:



**Phillips
Screwdriver**

Weight Capacity:

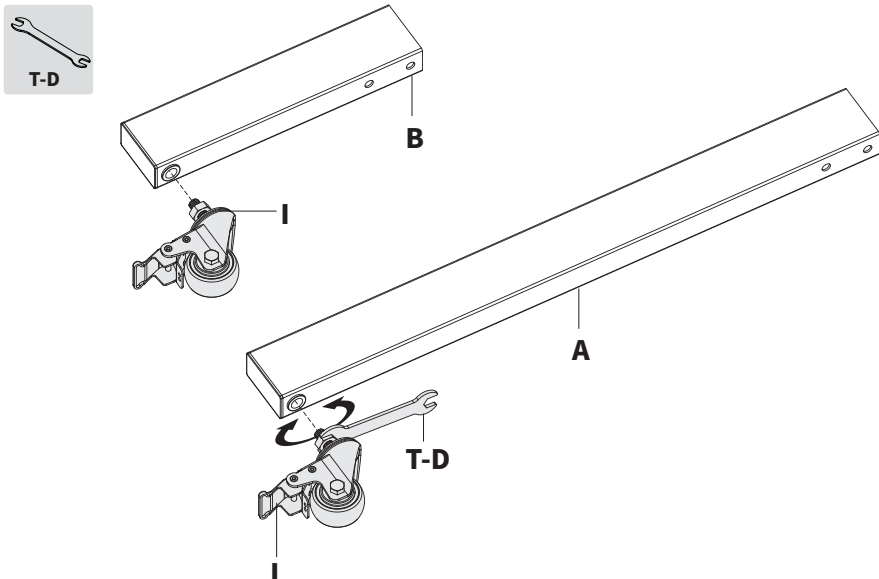


EACH MOUNT

ASSEMBLY STEPS

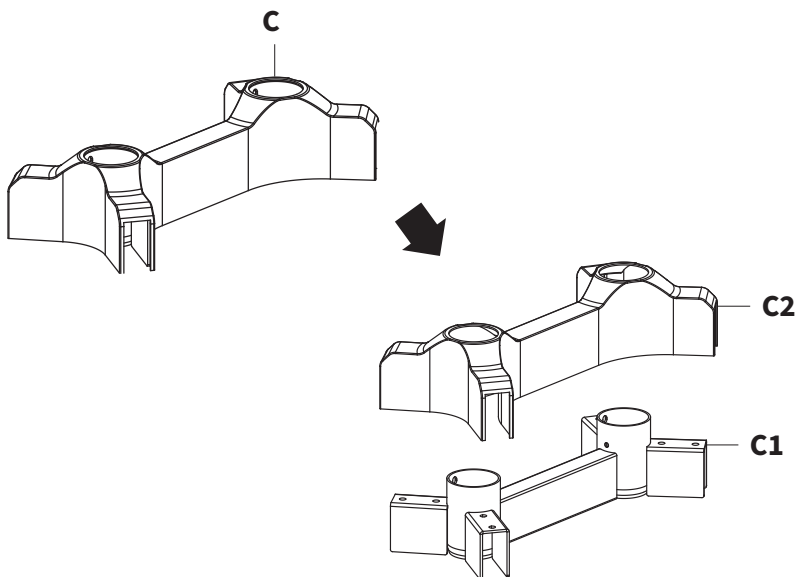
STEP 1

Attach Casters (I) to Long Feet (A) and Short Feet (B) using Wrench (T-D).



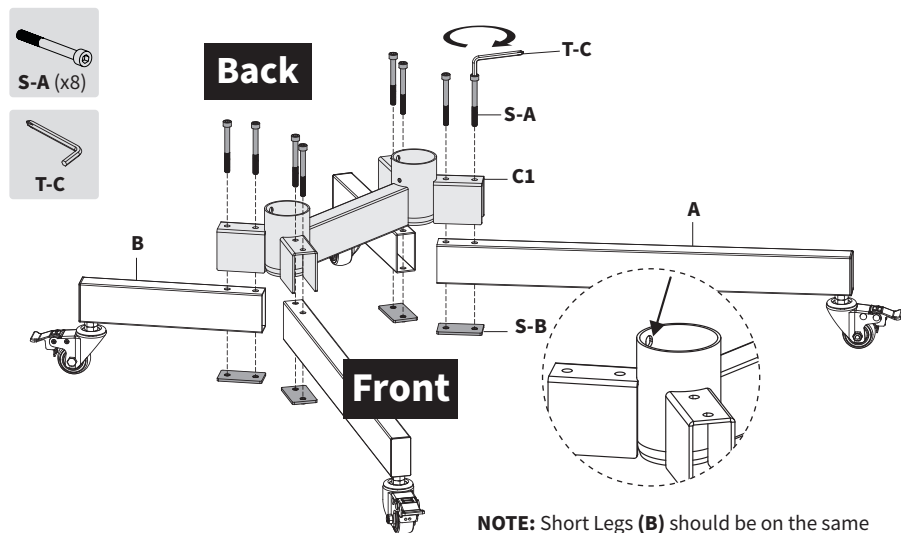
STEP 2

Separate Base w/Cover (C) into Base (C1) and Cover (C2).



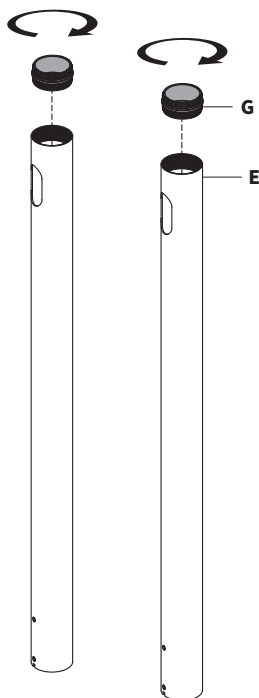
STEP 3

Attach Long and Short Legs (**A, B**) to Base (**C1**) using M6x60mm Screws (**S-A**), Threaded Plates (**S-B**), and 5mm Allen Wrench (**T-C**).



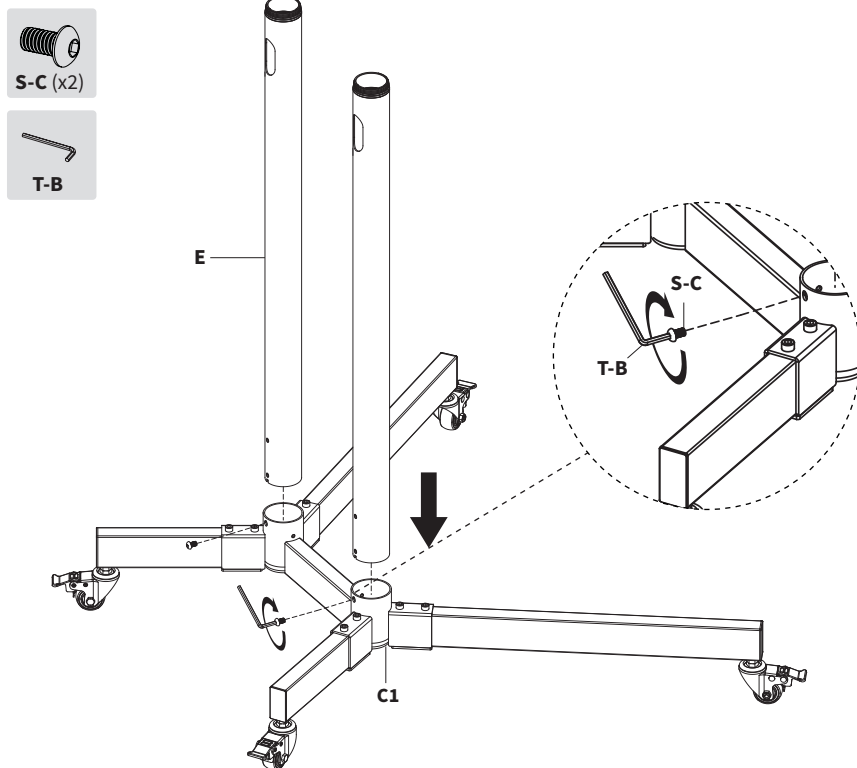
STEP 4

Thread Pole Connectors (**G**) onto bottom Poles (**E**). Carefully thread the pole connector in perfectly straight to avoid cross-threading. If you feel resistance, back the connector out and restart. Once you are certain the connector is going in straight, use additional force to tighten.



STEP 5

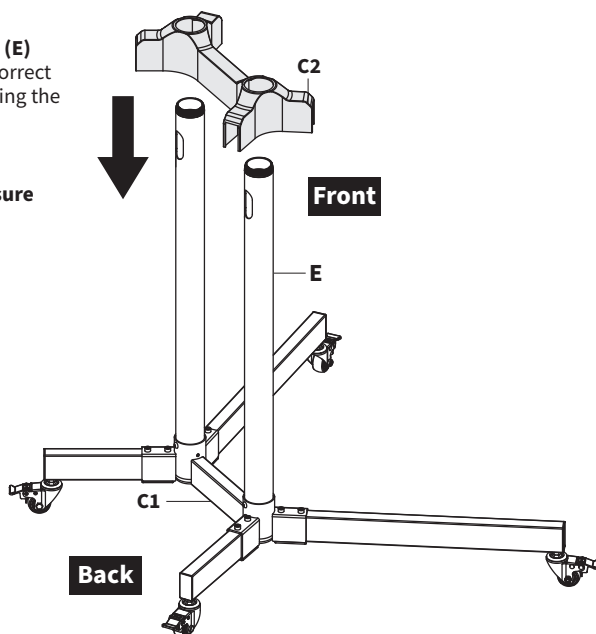
Insert Lower Poles (**E**) into Base (**C1**) and secure using M6x10mm Screws (**S-C**) and 4mm Allen Wrench (**T-B**). Do not fully tighten screws.



STEP 6

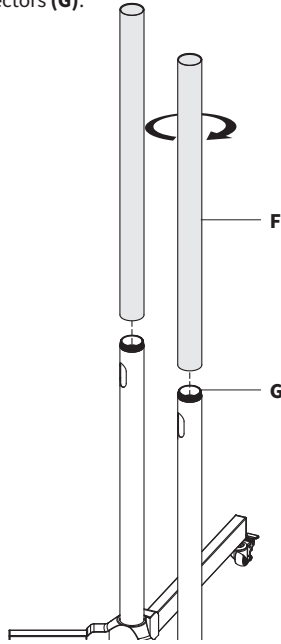
Slide Cover (**C2**) over Lower Poles (**E**) and onto Base (**C1**). To ensure a correct fit, make sure side with logo is facing the front.

NOTE: The front of the Cover is marked with the VIVO logo. Ensure this is facing the front.



STEP 7

Thread Top Poles (F) onto Pole Connectors (G).

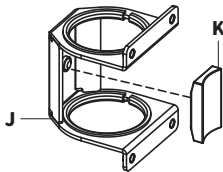


STEP 8

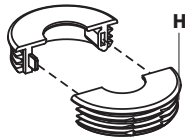
Slide Universal Plate Connectors (J) and Plastic Spacers (K) onto Top Poles (F) and tighten the set screw using 4mm Allen Wrench (T-B). Connect and install Pole Covers (H) onto Top Poles. Do not fully tighten screws



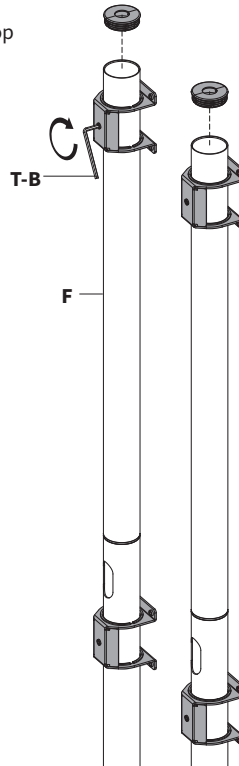
T-B



Secure Plastic Spacers (K) to Plate Connectors (J).

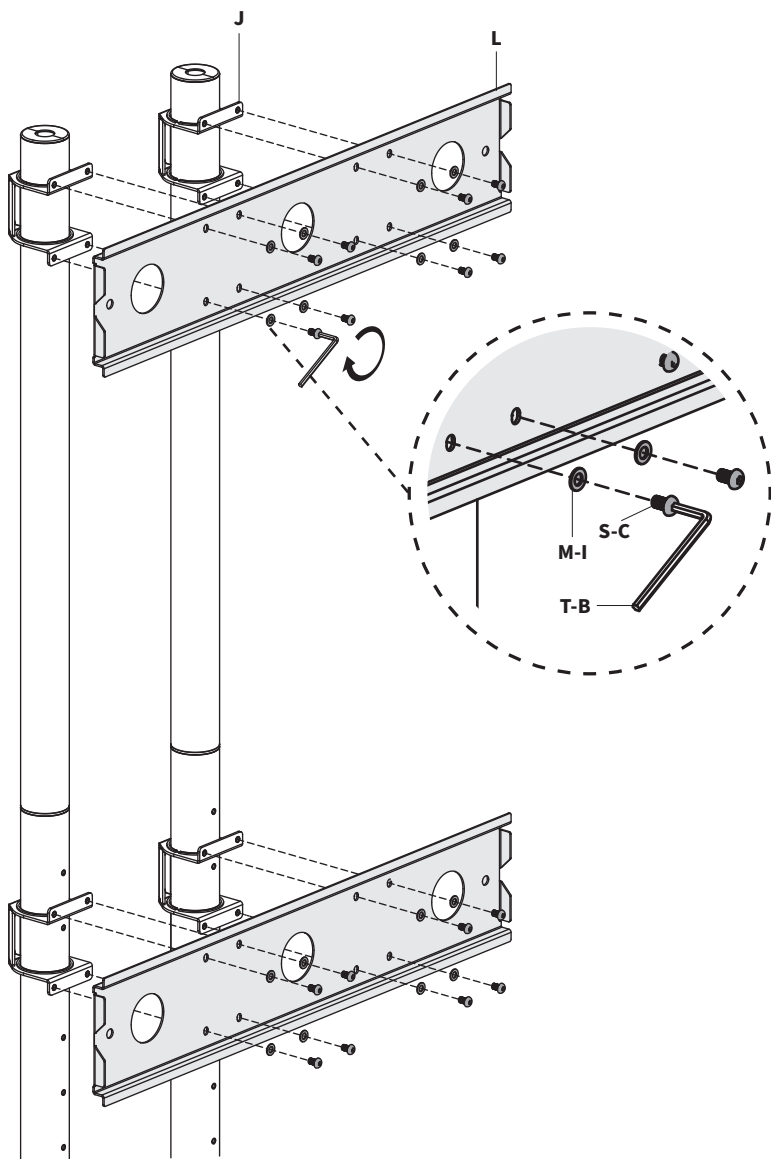


Connect Pole Cover (H) pieces together.



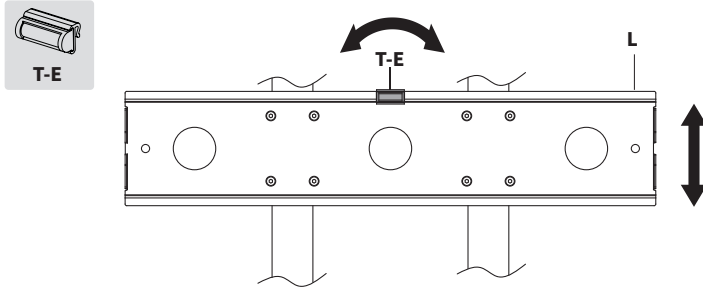
STEP 9

Assemble Universal Plates (**L**) to Universal Plate Connectors (**J**) with M6x10mm Screws (**S-C**) and M6 Washers (**M-I**). Tighten using 4mm Allen Wrench (**T-B**). Do not fully tighten screws.

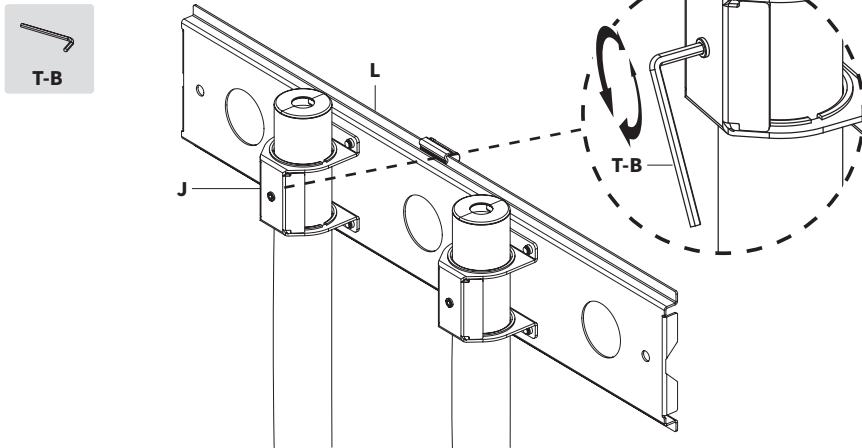


STEP 10

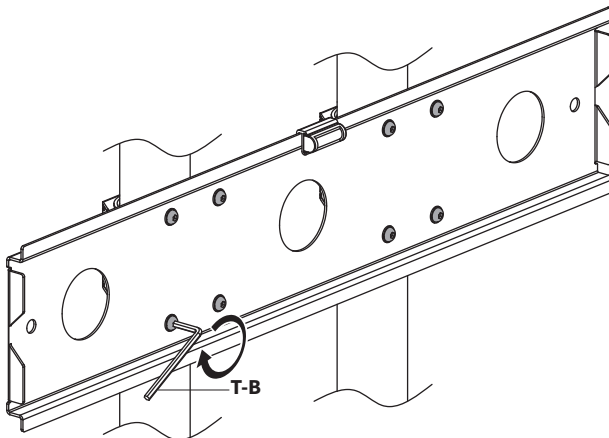
1). Clip Level (**T-E**) onto Universal Plate (**L**).



2). Adjust the level of Universal Plate (**L**) by loosening the set screw in the back of Universal Plate Connectors (**J**) using 4mm Allen Wrench (**T-B**).



3). Tighten the set screws again once you've reached desired height and level.



STEP 11

Lift the Cover (C2) up. Tighten the previously installed M6x10mm Screws (S-C) using 4mm Allen Wrench (T-B). Install the M5x6mm Set Screws (S-D) using the 2.5mm Allen Wrench (T-A).



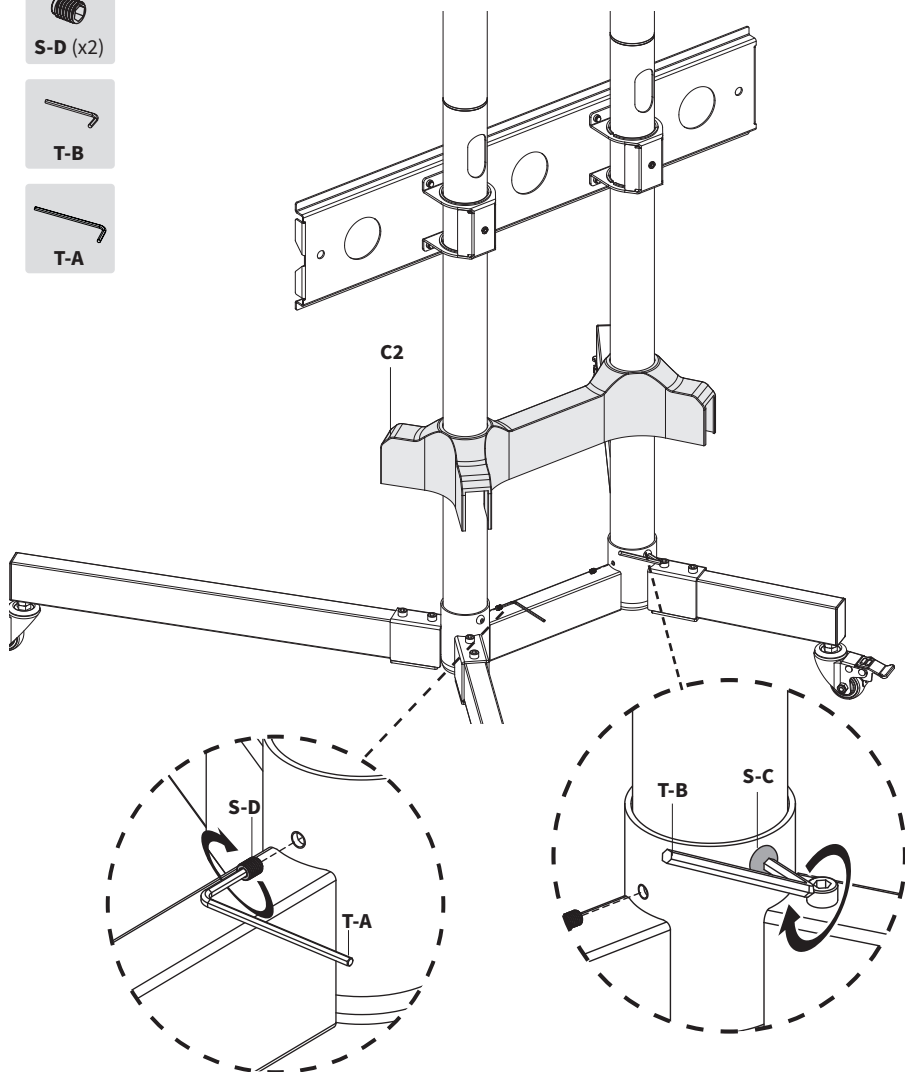
S-D (x2)



T-B



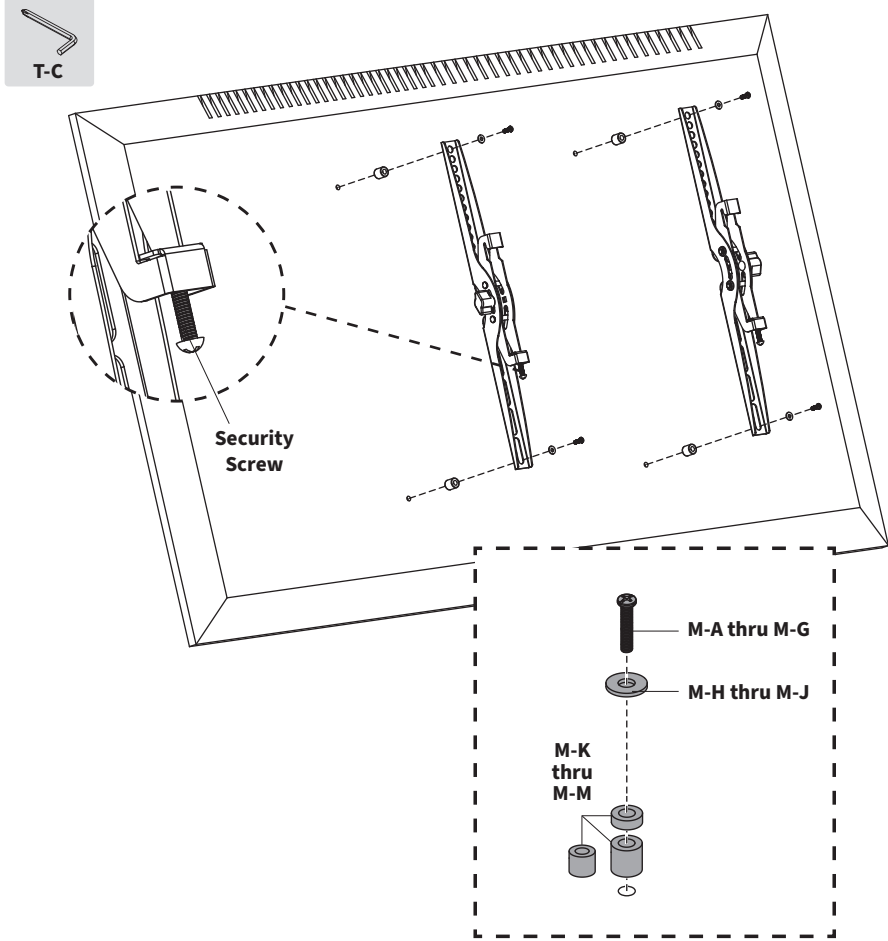
T-A



STEP 12

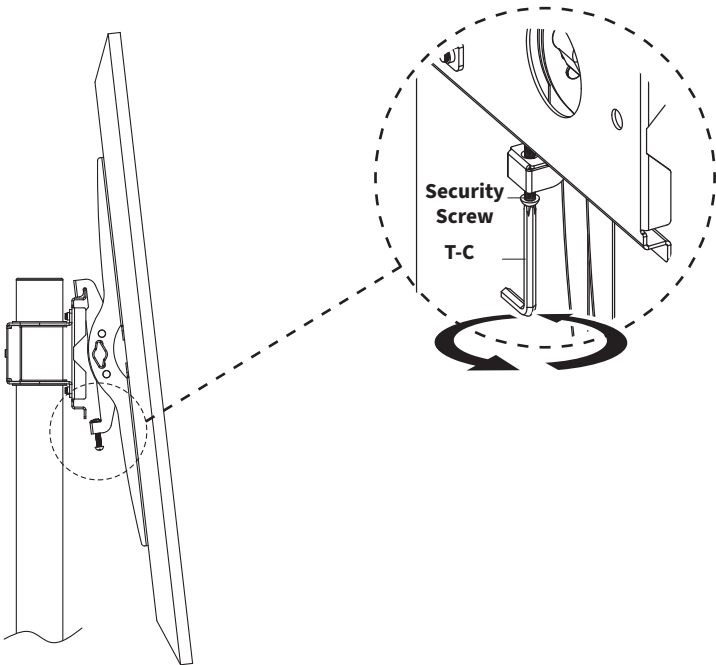
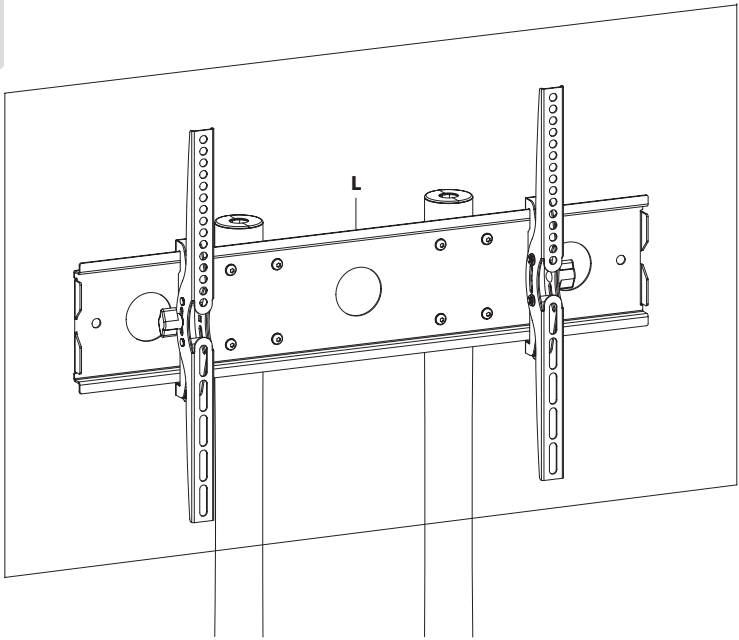
Secure Right VESA Bracket (**M**) and Left VESA Bracket (**N**) to the back of your television using Screws (**M-A through M-G**) and Washers (**M-H through M-J**), depending on the size of the mounting holes on the television. For curved or recessed TVs, Spacers (**M-K through M-M**) may be required.

Loosen Security Screw on both VESA Brackets with 5mm Allen Wrench (**T-C**) for easy mounting.



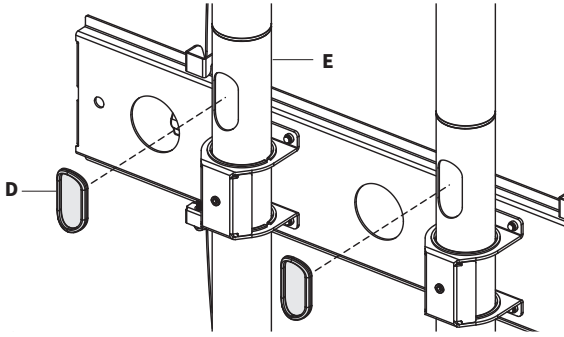
STEP 13

Place TV with VESA Brackets onto Universal Plate (**L**). Tighten the Security Screws on the bottom of the installed VESA Brackets using 5mm Allen Wrench (**T-C**) to secure the television to the stand.

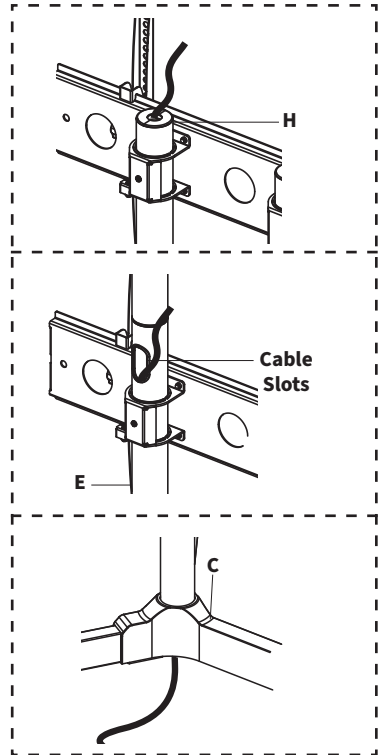
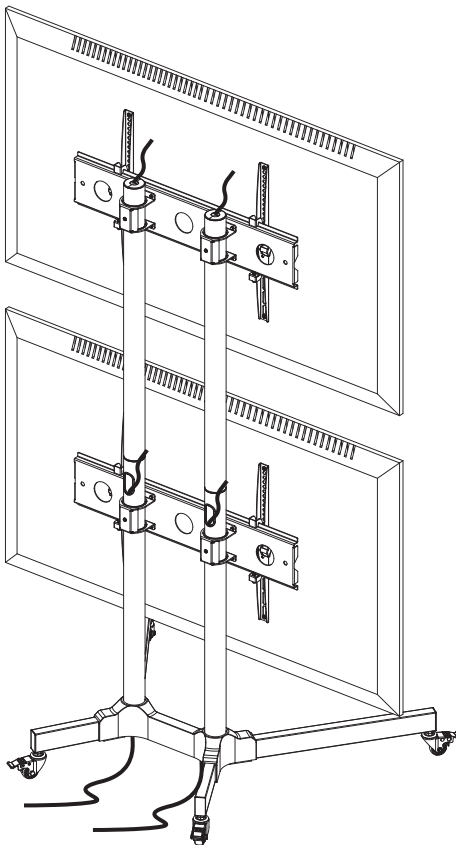


STEP 14

Install Grommet Covers (**D**) into Lower Poles (**E**).



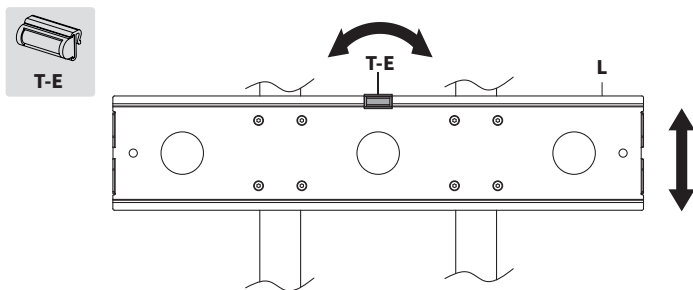
Cables can be inserted into the tops of Pole Covers (**H**) and be routed out the back using either the Cable Slots in the back of Lower Poles (**E**) or through the bottom of the Base (**C**).



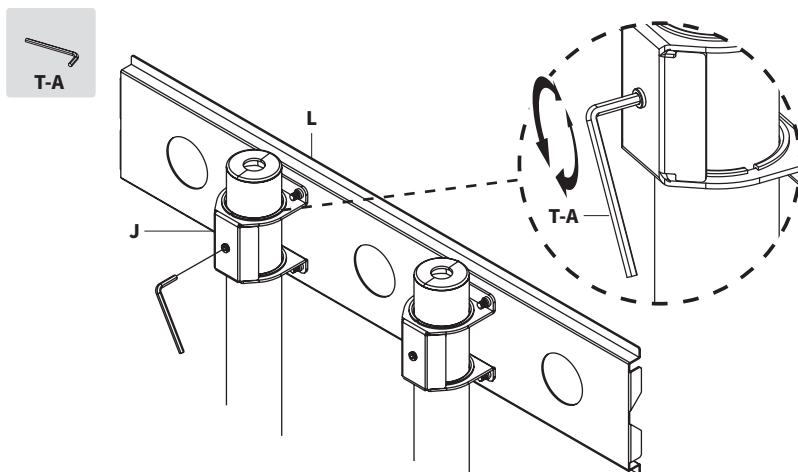
Leveling

If additional leveling and height adjustment is required after television is attached, follow the steps below. **NOTE:** TV's should be removed before leveling the Universal Plate.

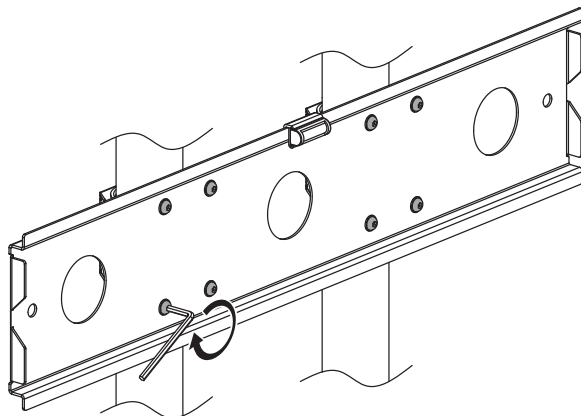
- 1). Clip Level (**T-E**) onto Universal Plate (**L**).



- 2). Adjust the level of Universal Plate (**L**) by loosening the set screw in the back of Universal Plate Connectors (**J**) using 2.5mm Allen Wrench (**T-A**).



- 3). Tighten the set screws again once you've reached desired height and level.





Need Help? Get In Touch

Monday-Friday from 7:00am-7:00pm CST



help@vivo-us.com



www.vivo-us.com

Chat live with an agent!



309-278-5303



VIVO-us



@vivo_us

FOR MORE GREAT VIVO PRODUCTS,
CHECK OUT OUR WEBSITE AT: WWW.VIVO-US.COM