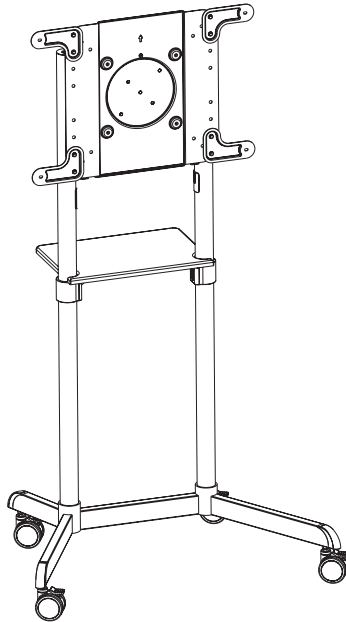




Mobile Portrait to Landscape TV Cart Instruction Manual



SKU: STAND-TV02PB/PW



Scan the QR code with your mobile device or follow the link for helpful videos and specifications related to this product.

<https://vivo-us.com/products/stand-tv02pb>

GET IN TOUCH | Monday-Friday from 7:00am-7:00pm CST



help@vivo-us.com



www.vivo-us.com
Chat live with an agent!



309-278-5303

! WARNING!

If you do not understand these directions, or if you have any doubts about the safety of the installation, please call a qualified technician. Check carefully to make sure there are no missing or defective parts. Improper installation may cause damage or serious injury. Do not use this product for any purpose that is not explicitly specified in this manual. Do not exceed weight capacity. We cannot be liable for damage or injury caused by improper mounting, incorrect assembly or inappropriate use.

! TIPOVER WARNING

SERIOUS OR FATAL CRUSHING INJURIES CAN OCCUR FROM TIPOVER. TO HELP PREVENT TIPOVER:

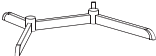



















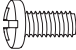

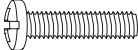







- NEVER ALLOW CHILDREN TO CLIMB, STAND, HANG, OR PLAY ON ANY PART OF TV OR TV CART.
- USE TIPOVER RESTRAINT OR ANCHOR STAND TO WALL

USE OF TIPOVER RESTRAINTS MAY ONLY REDUCE, BUT NOT ELIMINATE RISK OF TIPOVER.

! WARNING: CHOKING HAZARD

SMALL PARTS - NOT FOR CHILDREN UNDER 3 YEARS. ADULT SUPERVISION IS REQUIRED.

PACKAGE CONTENTS

					
A (x1) Base	B (x4) Caster	C (x2) Base Pole	D (x2) Upper Pole	E (x1) Equipment Shelf	F (x2) Shelf Mounting Bracket
					
G (x1) Front Cover	H (x1) Mounting Plate	I (x1) Rear Cover	J (x2) VESA Extension	K (x2) VESA Extension	L (x4) Cable Cover
					
M (x5) Cable Tie Holder	N (x5) Cable Tie				
					
S-A (x8) M8x20mm Screw	S-B (x8) M6x8mm Screw	S-C (x16) M6x12mm Screw	S-D (x1) M6x18mm Screw	S-E (x8) M8x8mm Screw	M-A (x4) M6x14mm Screw
					
M-B (x4) M8x16mm Screw	M-C (x4) M6x30mm Screw	M-D (x4) M8x35mm Screw	M-E (x4) M8 Washer	M-F (x4) Small Spacer	M-G (x4) Large Spacer
					
T-A (x1) 6mm Wrench	T-B (x1) 10mm Wrench	T-C (x1) 4mm Allen Wrench	T-D (x1) 5mm Allen Wrench		

NOTE: SOME HARDWARE INCLUDED MAY NOT BE USED

DO NOT EXCEED WEIGHT CAPACITY.
Failure to do so may result in serious injury.



TV



DVD SHELF

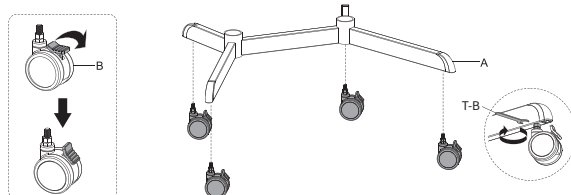
TOOLS NEEDED



ASSEMBLY STEPS

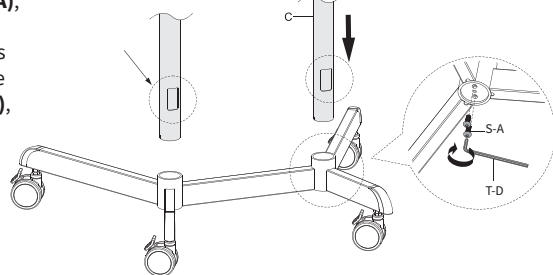
STEP 1

Press the lock on each Caster (**B**) to the down (locked) position, then install the Casters to the Base (**A**). Adjust to sit flat if needed, then tighten each caster using the 10mm Wrench (**T-B**).



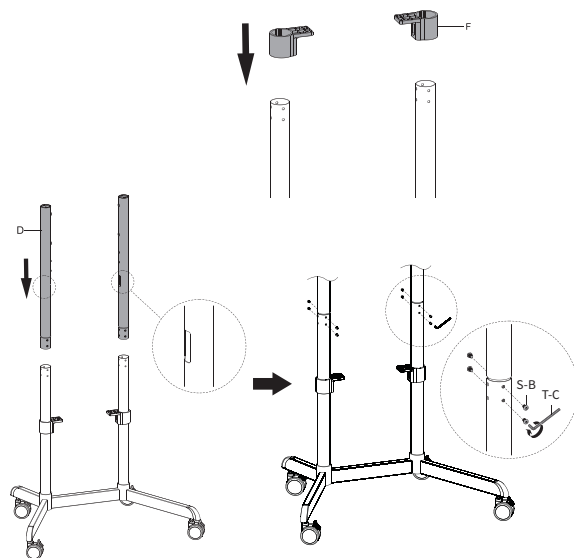
STEP 2

Slide the Base Poles (**C**) into the Base (**A**), making sure the cable holes are facing towards the back, then secure the Poles using M8x20mm Screws (**S-A**). Turn the bolts using the 5mm Allen Wrench (**T-D**), but do not yet tighten.



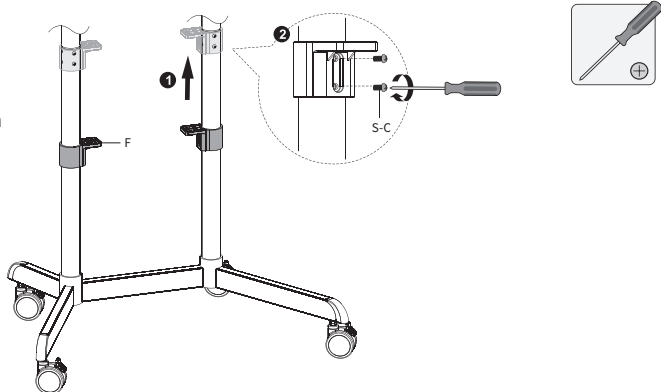
STEP 3

Slide the Shelf Mounting Brackets (**F**) onto the base poles. Insert the Upper Poles (**D**) into the Base Poles, making sure the cable holes are facing in towards the center, then secure the poles using M6x8mm Screws (**S-B**). Tighten with the 4mm Allen wrench (**T-C**).



STEP 4

Slide the Shelf Mounting Brackets (**F**) up to cover the installed screws, then insert M6x12mm Screws (**S-C**) to secure the brackets. Tighten with a Phillips screwdriver.



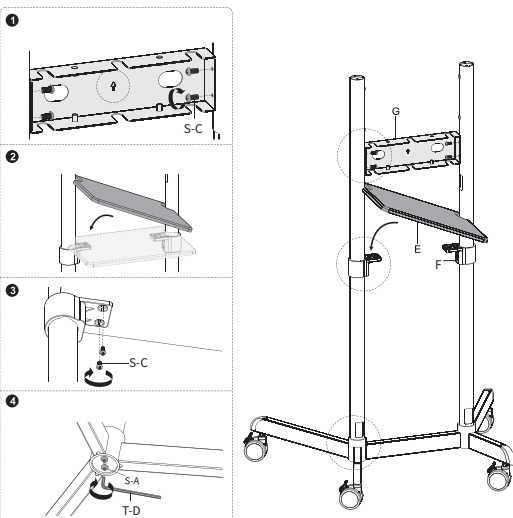
STEP 5

1. Install Front Cover (**G**) between poles, making sure the face of the cover is facing towards the front, and secure using M6x12mm Screws (**S-C**). Tighten with a Phillips screwdriver.

2. Place Equipment Shelf (**E**) on the Shelf Mounting Brackets, making sure the large end faces towards the back.

3. Secure the shelf using M6x12mm Screws (**S-C**) and tighten with a Phillips screwdriver.

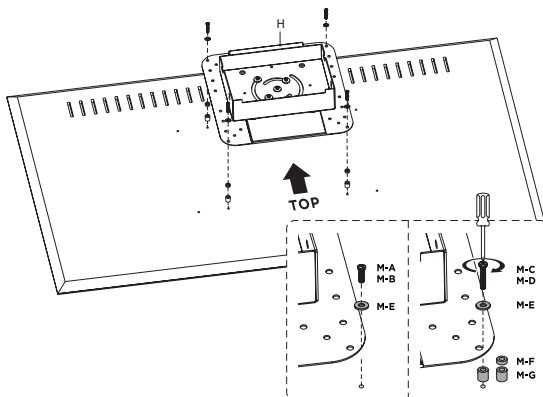
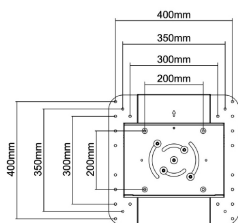
4. Tighten the previously installed M8x20mm Screws (**S-A**) under the base using the 5mm Allen Wrench (**T-D**).



STEP 6

OPTION A: VESA 200x200mm - 400x400mm

Install the Mounting Plate (**H**) to the TV. For flat back TVs, use shorter screws (**M-A**, **M-B**) with M8 Washers (**M-E**). For curved or recessed back TVs, use longer screws (**M-C**, **M-D**) with M8 Washers (**M-E**) and Spacers (**M-F**, **M-G**) as needed.

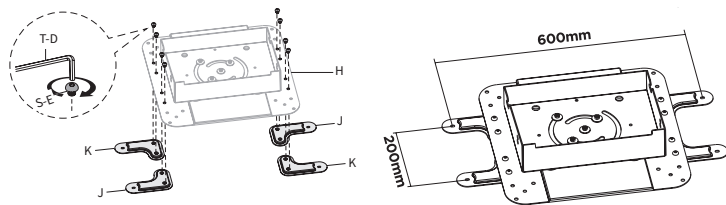


STEP 6 (Continued)

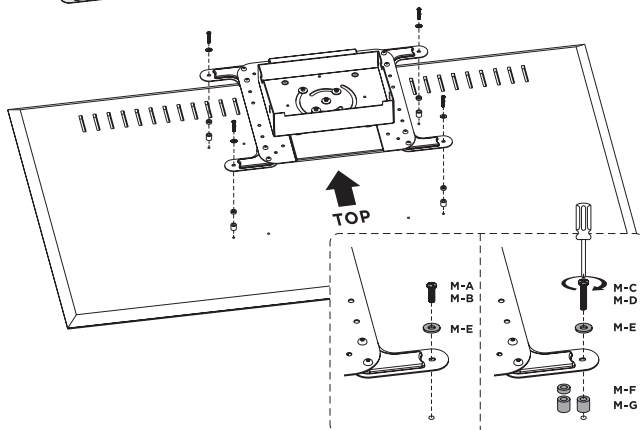
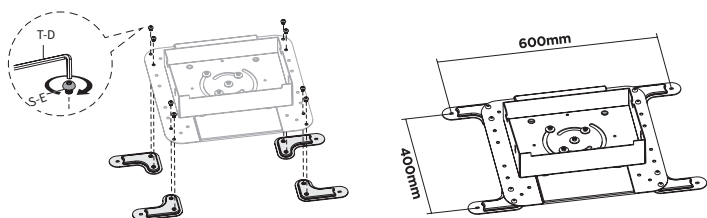
OPTION B: VESA 600x200mm - 600x400mm

Attach VESA Extensions (**J, K**) to the Mounting Plate (**H**) using M8x8mm Screws (**S-E**), and tighten with the 5mm Allen Wrench (**T-D**). Install the assembled mounting plate to the TV. For flat back TVs, use shorter Screws (**M-A, M-B**) with M8 Washers (**M-E**). For curved or recessed back TVs, use longer Screws (**M-C, M-D**) with M8 Washers (**M-E**) and Spacers (**M-F, M-G**) as needed.

VESA 600x200mm

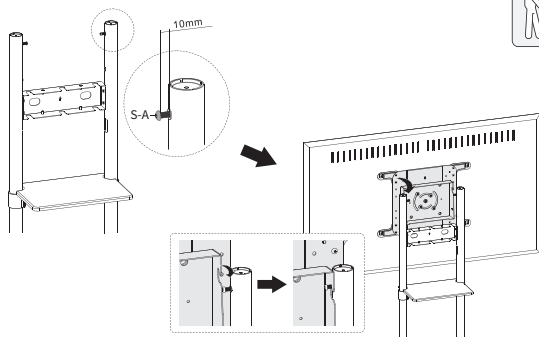


VESA 600x400mm



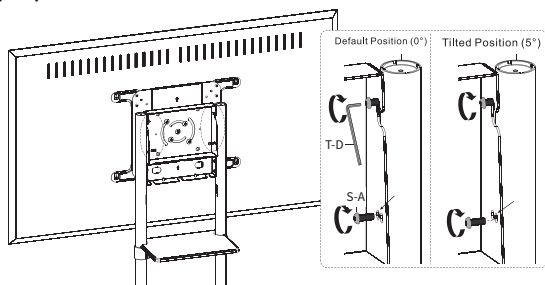
STEP 7

Partially insert M8x20mm Screws (**S-A**) into the top hole on each upper pole, leaving 10mm (about 3/8") of thread exposed. Hang the slots of the mounting plate with TV over the bolts.



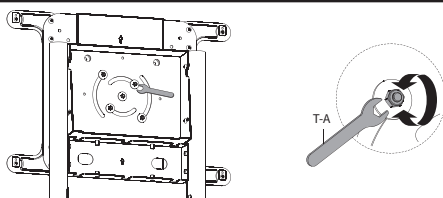
STEP 8

Insert M8x20mm Screws (**S-A**) into either the front or rear lower holes of the mounting plate. Tighten all screws with the 5mm Allen Wrench (**T-D**).



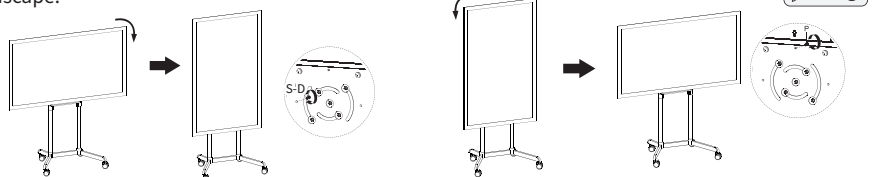
STEP 9

To adjust the ease of rotation, loosen or tighten the nuts on the back of the mounting plate using 6mm Wrench (**T-A**).



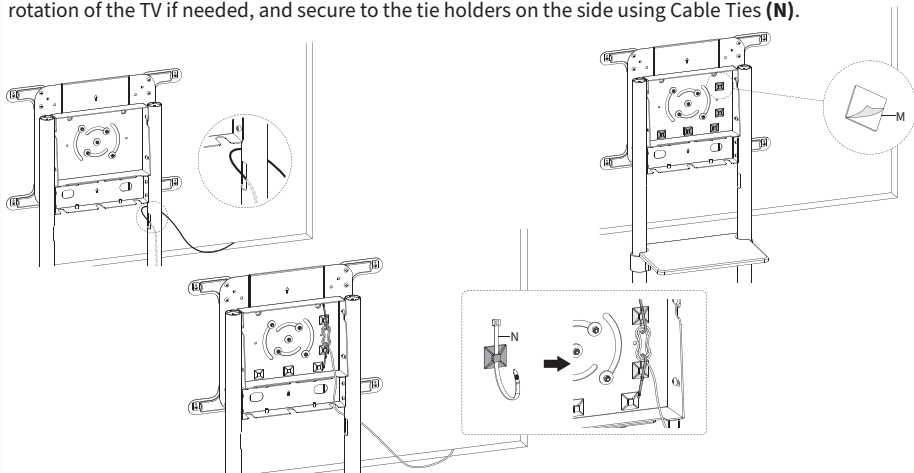
STEP 10

To lock the position, insert the M6x18mm Screw (**S-D**) into the back of the mounting plate using a Phillips screwdriver. Use the side hole for portrait, or the top hole for landscape.



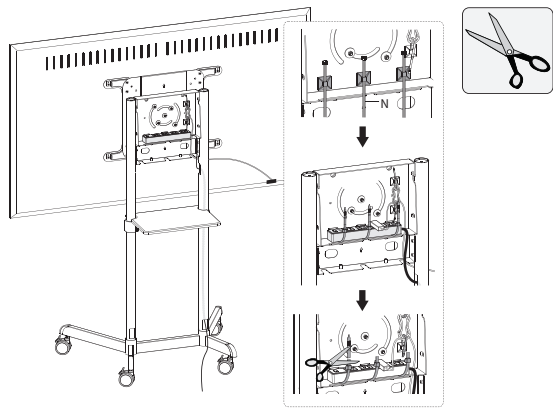
STEP 11

Route cables through the cable holes in the poles and the openings in the front cover and mounting plate. Stick adhesive Cable Tie Holder (**M**) onto the back of the mounting plate in the positions shown. Pull excess cable up into the mounting plate area, making sure there's enough slack for free rotation of the TV if needed, and secure to the tie holders on the side using Cable Ties (**N**).



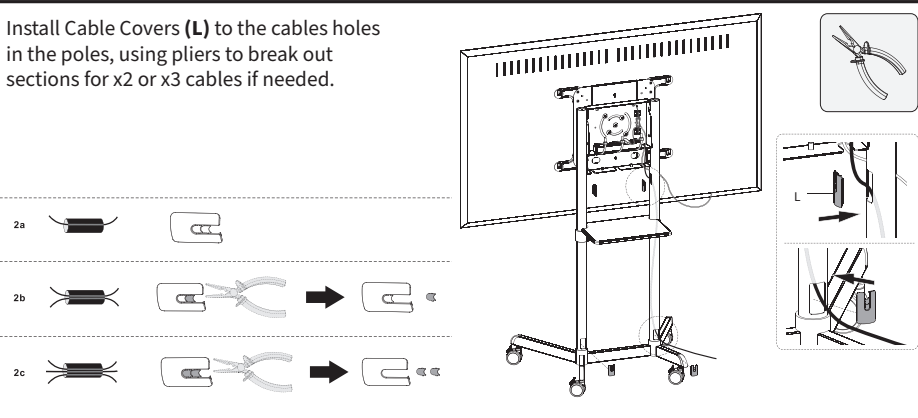
STEP 11 (Continued)

Place a power strip in the back of the mounting plate, and secure using Cable Ties (**N**).



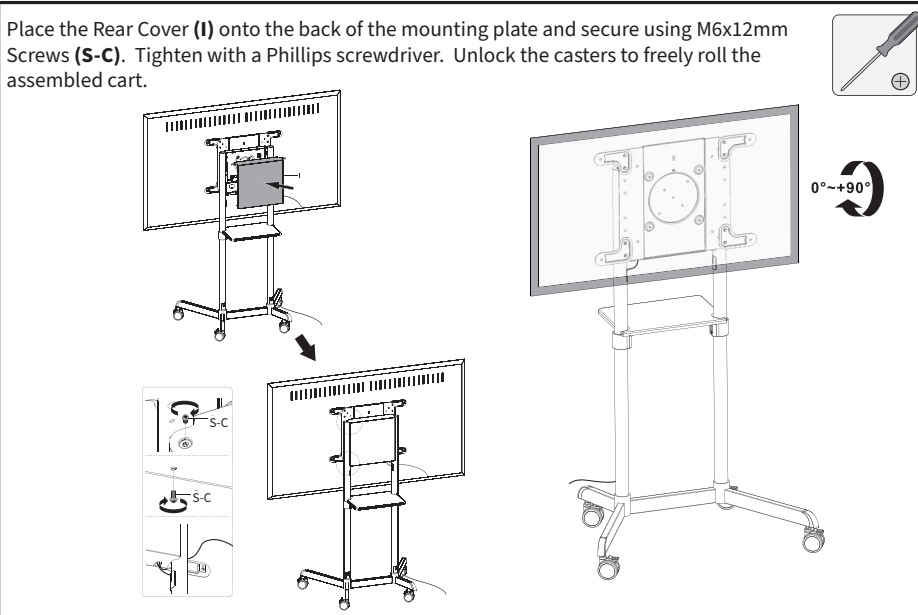
STEP 12

Install Cable Covers (**L**) to the cables holes in the poles, using pliers to break out sections for x2 or x3 cables if needed.



STEP 13

Place the Rear Cover (**I**) onto the back of the mounting plate and secure using M6x12mm Screws (**S-C**). Tighten with a Phillips screwdriver. Unlock the casters to freely roll the assembled cart.





Love your new VIVO setup and want to share?
Tag us in your photo! **@vivo_us**

LAST UPDATED: 11/20/2023
REV1



Open **Monday - Friday 7:00am - 7:00pm** CST,
our dedicated support team can offer immediate assistance with rapid response times. If any parts are received damaged or defective, please contact us. We are happy to replace parts to ensure you have a fully functioning product.



309-278-5303

AVG. RESOLUTION TIME (*within office hrs*): **5M 4S**



www.vivo-us.com
Chat live with an agent!

AVG. RESOLUTION TIME (*within office hrs*): **< 15 M**



help@vivo-us.com

AVG. RESPONSE TIME (*within office hrs*): **1HR 8M**

- 23% within < 15m
- 38% within < 30m
- 61% within < 1hr
- 83% within < 2hr
- 92% within < 3hr

FOR MORE VIVO PRODUCTS, CHECK OUT OUR WEBSITE AT: www.vivo-us.com