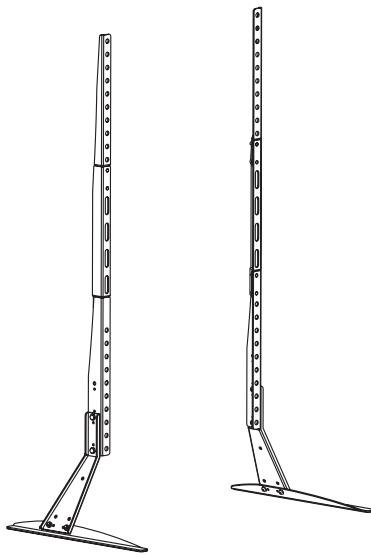




Tabletop TV Stand

Instruction Manual



SKU: STAND-TV01T



Scan the QR code with your mobile device or follow the link for helpful videos and specifications related to this product.

<https://vivo-us.com/products/stand-tv01t>

GET IN TOUCH | Monday-Friday from 7:00am-7:00pm CST



help@vivo-us.com



www.vivo-us.com
Chat live with an agent!



309-278-5303

WARNING!

If you do not understand these directions, or if you have any doubts about the safety of the installation, please call a qualified technician. Check carefully to make sure there are no missing or defective parts. Improper installation may cause damage or serious injury. Do not use this product for any purpose that is not explicitly specified in this manual. Do not exceed weight capacity. We cannot be liable for damage or injury caused by improper mounting, incorrect assembly or inappropriate use.

TIPOVER WARNING

SERIOUS OR FATAL CRUSHING INJURIES CAN OCCUR FROM TIPOVER. TO HELP PREVENT TIPOVER:

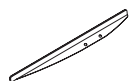
- NEVER ALLOW CHILDREN TO CLIMB, STAND, HANG, OR PLAY ON ANY PART OF TV OR TV STAND.
- USE TIPOVER RESTRAINT OR ANCHOR STAND TO WALL

USE OF TIPOVER RESTRAINTS MAY ONLY REDUCE, BUT NOT ELIMINATE RISK OF TIPOVER.

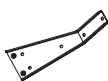
WARNING: CHOKING HAZARD

SMALL PARTS - NOT FOR CHILDREN UNDER 3 YEARS. ADULT SUPERVISION IS REQUIRED.

PACKAGE CONTENTS



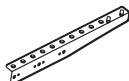
A1 (x1)
Base Plate



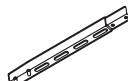
A2 (x1)
Junction Plate



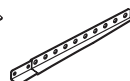
A3 (x1)
Plastic Cover



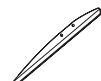
A4 (x1)
TV Bracket1



A5 (x1)
TV Bracket2



A6 (x1)
TV Bracket3



B1 (x1)
Base Plate



B2 (x1)
Junction Plate



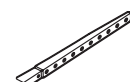
B3 (x1)
Plastic Cover



B4 (x1)
TV Bracket1



B5 (x1)
TV Bracket2



B6 (x1)
TV Bracket3



C (x8)
M6x10



D1 (x4)
M6 Cap Nut



D2 (x8)
M6 Nut



E (x1)
Allen Wrench



F (x1)
Crescent Wrench



G (x4)
M4 Spacer



H (x8)
5mm M6/8
Spacer



I (x4)
20mm M6/8
Spacer



J (x4)
M4 Washer



K (x4)
M6 Washer



L (x4)
M8 Washer



M (x4)
M4x12



N (x4)
M4x30



O (x4)
M6x20



P (x4)
M6x35



Q (x4)
M8x20



R (x4)
M8x35



S (x4)
M8x45



T (x2)
Soft Pad



U (x1)
M6x45



V (x1)
Washer



W (x1)
Concrete
Anchor



X (x1)
Security
Wire

NOTE: SOME HARDWARE MAY NOT BE USED

TOOLS NEEDED



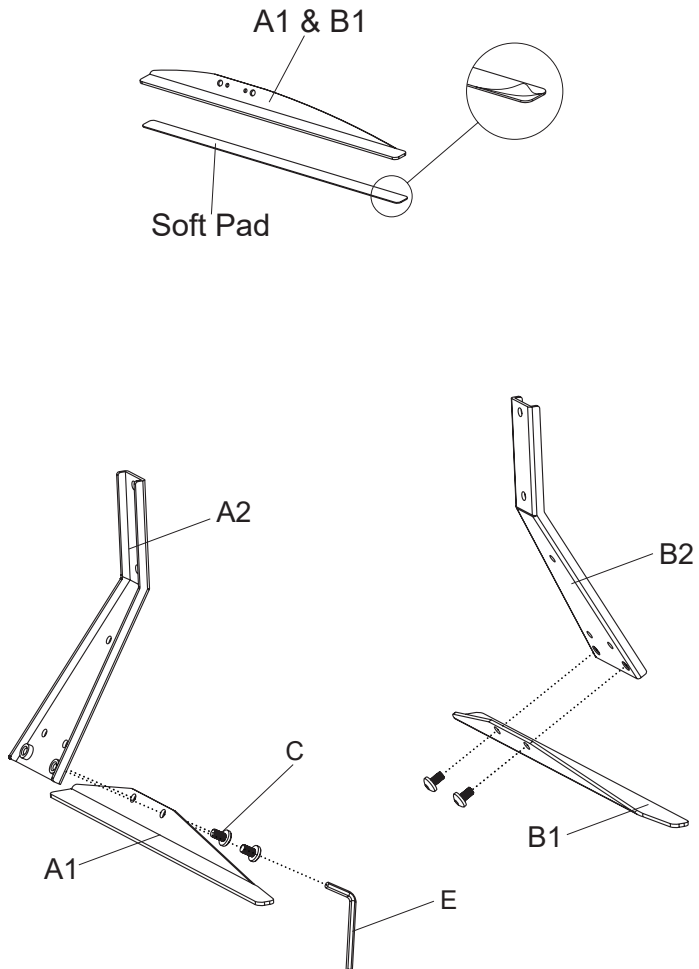
DO NOT EXCEED WEIGHT CAPACITY.
Failure to do so may result in serious injury.

110lbs
(49.9kg)

ASSEMBLY STEPS

STEP 1

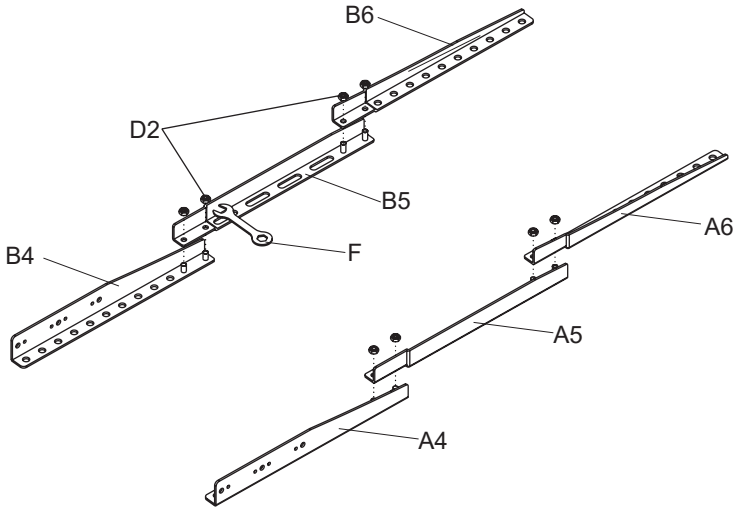
Connect base plates (**A1, B1**) to junction plates (**A2, B2**) using M6x10 bolts (**C**) as shown in the diagram. Use the Allen wrench (**E**) to tighten bolts. Apply soft pads (**T**) to base plates.



STEP 2

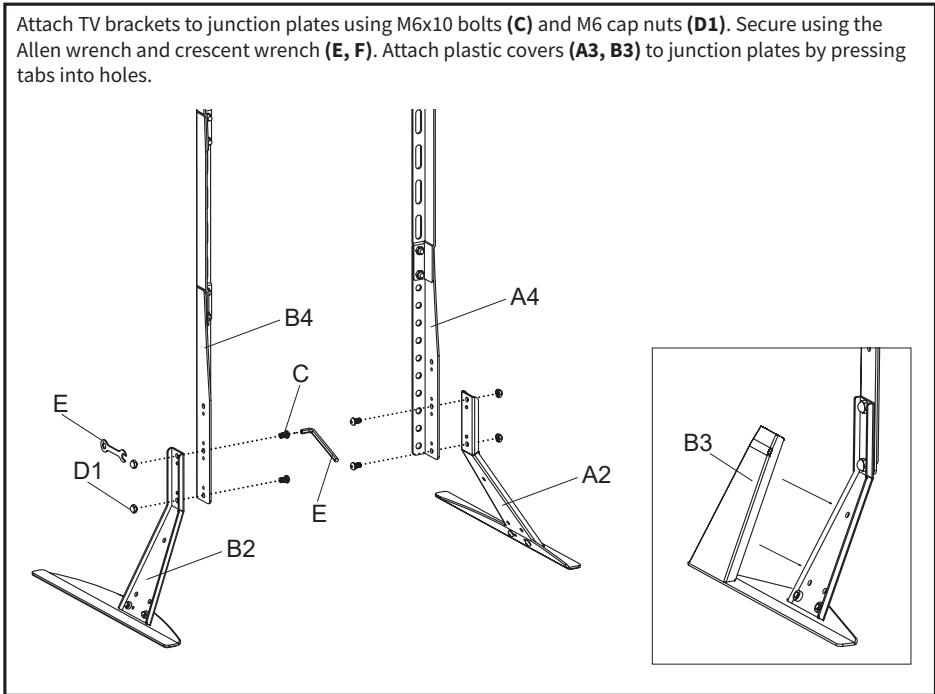
Connect the lower TV brackets (**A4, B4**) to the middle and upper TV brackets (**A5, A6, B5, B6**) using M6 nuts (**D2**). Use the crescent wrench (**F**) to tighten.

NOTE: The middle and/or upper TV brackets may be left unused for smaller TVs that do not require the additional height.



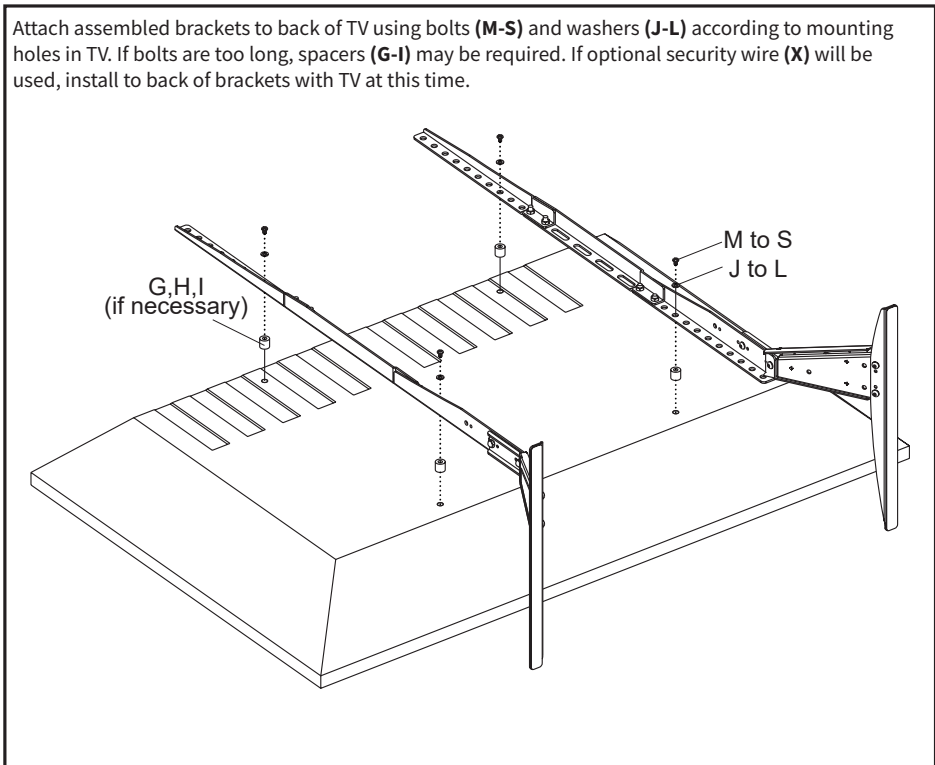
STEP 3

Attach TV brackets to junction plates using M6x10 bolts (**C**) and M6 cap nuts (**D1**). Secure using the Allen wrench and crescent wrench (**E, F**). Attach plastic covers (**A3, B3**) to junction plates by pressing tabs into holes.



STEP 4

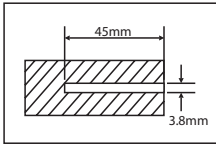
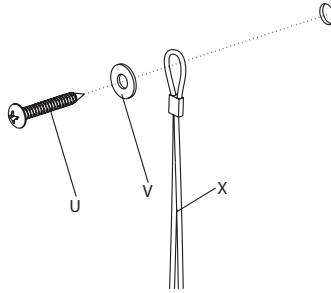
Attach assembled brackets to back of TV using bolts (**M-S**) and washers (**J-L**) according to mounting holes in TV. If bolts are too long, spacers (**G-I**) may be required. If optional security wire (**X**) will be used, install to back of brackets with TV at this time.



STEP 5

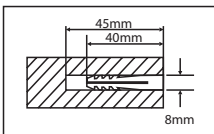
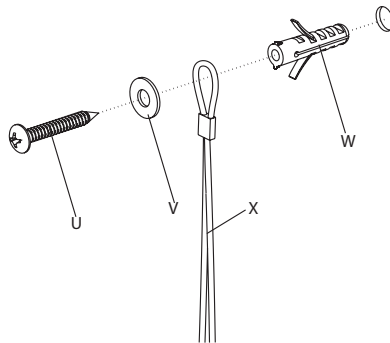
OPTION A: Wood Stud Wall

Drill a 1.75" (45mm) deep hole using a 5/32" (3.8mm) drill bit. Attach security wire (**X**) to hole using the M6x45 bolt (**U**) with washer (**V**) and tighten with a Phillips screwdriver.



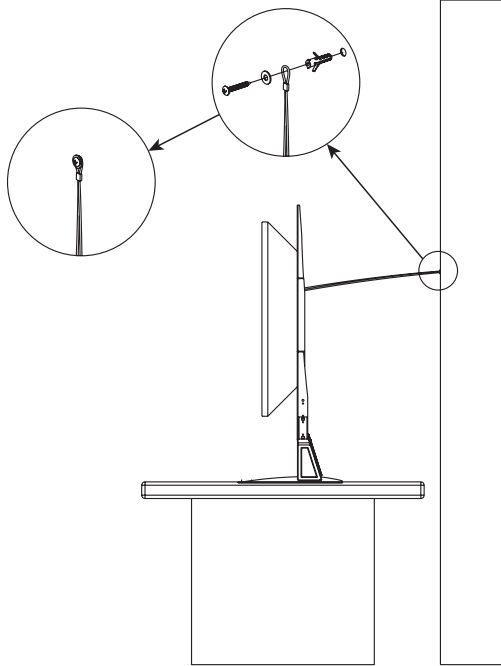
OPTION B: Concrete/Brick Wall

Drill a 2" (50mm) deep hole using a 5/16" (8mm) drill bit, and press concrete anchor (**W**) into hole. Attach security wire (**X**) to hole using the M6x45 bolt (**U**) with washer (**V**) and tighten with a Phillips screwdriver.



STEP 5 (Continued)

Ensure that security wire (X) has little or no slack between the wall and TV. This will greatly reduce the risk of tipping.





Open **Monday - Friday 7:00am - 7:00pm** CST,
our dedicated support team can offer immediate assistance with rapid response times. If any parts are received damaged or defective, please contact us. We are happy to replace parts to ensure you have a fully functioning product.


 help@vivo-us.com

AVG. RESPONSE TIME (*within office hrs*): **1HR 8M**

- 23% within < 15m
- 38% within < 30m
- 61% within < 1hr
- 83% within < 2hr
- 92% within < 3hr

 www.vivo-us.com
Chat live with an agent!

AVG. RESOLUTION TIME (*within office hrs*): **< 15 M**

 309-278-5303

AVG. RESOLUTION TIME (*within office hrs*): **5M 4S**