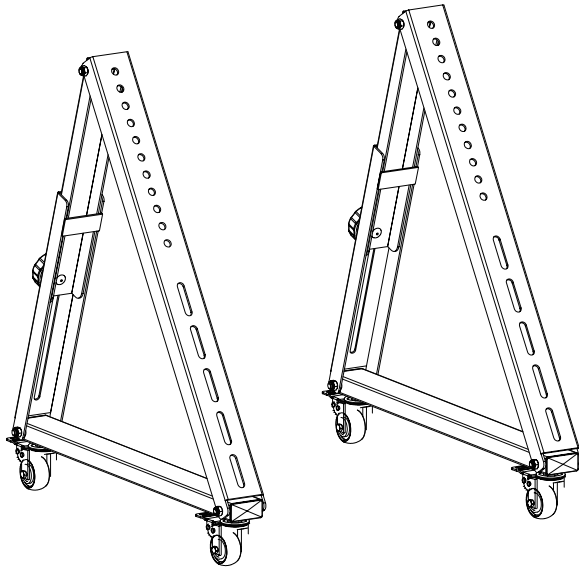




Low Height Mobile TV Stand Instruction Manual



SKU: STAND-TV01L



Scan the QR code with your mobile device or follow the link for helpful videos and specifications related to this product.

<https://vivo-us.com/products/stand-tv01l>

GET IN TOUCH | Monday-Friday from 7:00am-7:00pm CST



help@vivo-us.com



www.vivo-us.com
Chat live with an agent!



309-278-5303

WARNING!

If you do not understand these directions, or if you have any doubts about the safety of the installation, please call a qualified technician. Check carefully to make sure there are no missing or defective parts. Improper installation may cause damage or serious injury. Do not use this product for any purpose that is not explicitly specified in this manual. Do not exceed weight capacity. We cannot be liable for damage or injury caused by improper mounting, incorrect assembly or inappropriate use.

WARNING: CHOKING HAZARD

SMALL PARTS - NOT FOR CHILDREN UNDER 3 YEARS. ADULT SUPERVISION IS REQUIRED.

PACKAGE CONTENTS



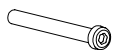
A (x2)
Adjustment Bracket



B (x2)
Support Bracket



C (x4)
Casters



S-A (x4)
M6x55mm Screw



S-B (x4)
M6 Nut



S-C (x8)
Small Washer



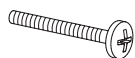
M-A (x4)
M4x12mm Screw



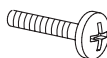
M-B (x4)
M4x30mm Screw



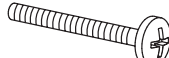
M-C (x4)
M5x12mm Screw



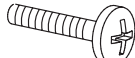
M-D (x4)
M5x30mm Screw



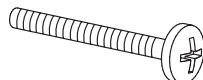
M-E (x4)
M6x12mm Screw



M-F (x4)
M6x30mm Screw



M-G (x4)
M8x16mm Screw



M-H (x4)
M8x30mm Screw



M-I (x4)
Spacer



M-J (x4)
Large Washer



T-A (x1)
M8 Wrench



T-B (x1)
M6 Wrench



T-C (x1)
5mm Allen Wrench

TOOLS NEEDED

NOTE: SOME HARDWARE INCLUDED MAY NOT BE USED



Phillips
Screwdriver

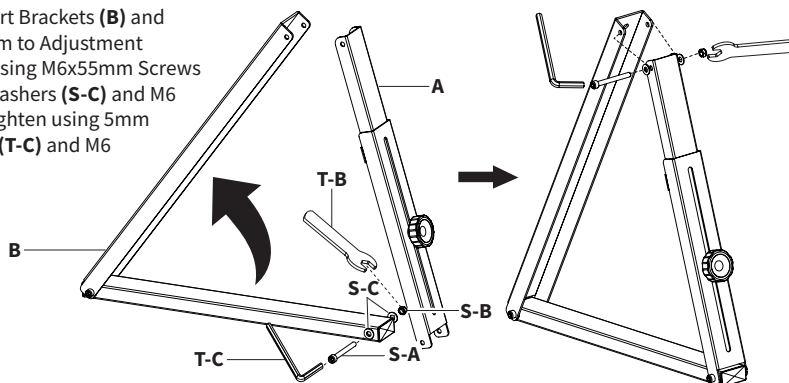
DO NOT EXCEED WEIGHT CAPACITY.
Failure to do so may result in serious injury.



ASSEMBLY STEPS

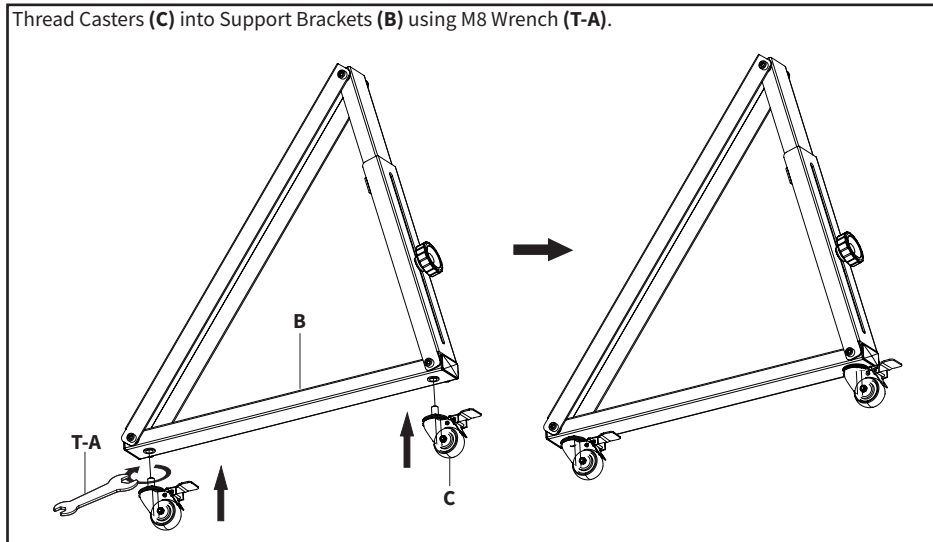
STEP 1

Unfold Support Brackets (**B**) and assemble them to Adjustment Brackets (**A**) using M6x55mm Screws (**S-A**) Small Washers (**S-C**) and M6 Nuts (**S-B**). Tighten using 5mm Allen Wrench (**T-C**) and M6 Wrench (**T-B**).



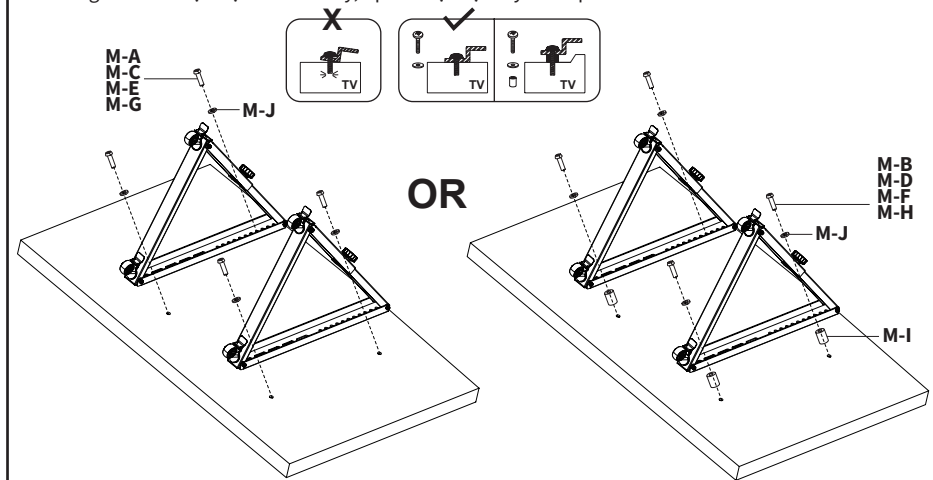
STEP 2

Thread Casters (C) into Support Brackets (B) using M8 Wrench (T-A).



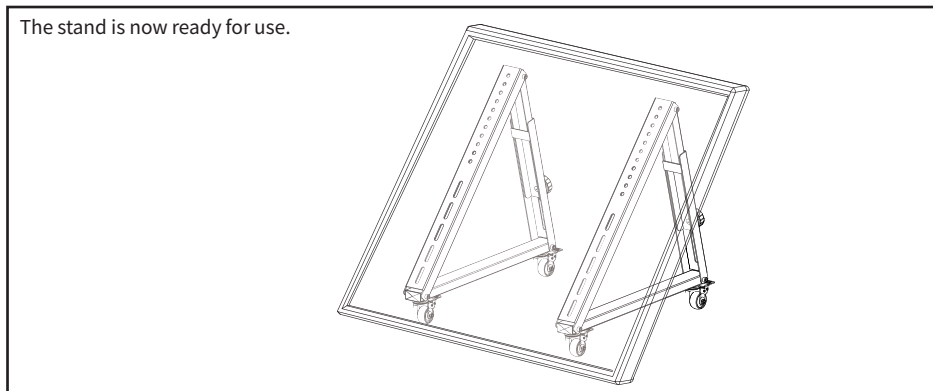
STEP 3

With the TV face down on a soft surface, attach the support assemblies using Screws (M-A through M-H) with Large Washers (M-J). If necessary, Spacers (M-I) may be required.



STEP 4

The stand is now ready for use.





Love your new VIVO setup and want to share?
Tag us in your photo! [@vivo_us](#)

LAST UPDATED: 12/16/2022
REV1



Open **Monday - Friday 7:00am - 7:00pm** CST,
our dedicated support team can offer immediate assistance with rapid response times. If any parts are received damaged or defective, please contact us. We are happy to replace parts to ensure you have a fully functioning product.



www.vivo-us.com
Chat live with an agent!

AVG. RESOLUTION TIME (*within office hrs*): **< 15 M**



309-278-5303

AVG. RESOLUTION TIME (*within office hrs*): **5M 4S**



help@vivo-us.com

AVG. RESPONSE TIME (*within office hrs*): **1HR 8M**

- 23% within < 15m
- 38% within < 30m
- 61% within < 1hr
- 83% within < 2hr
- 92% within < 3hr

FOR MORE VIVO PRODUCTS, CHECK OUT OUR WEBSITE AT: www.vivo-us.com