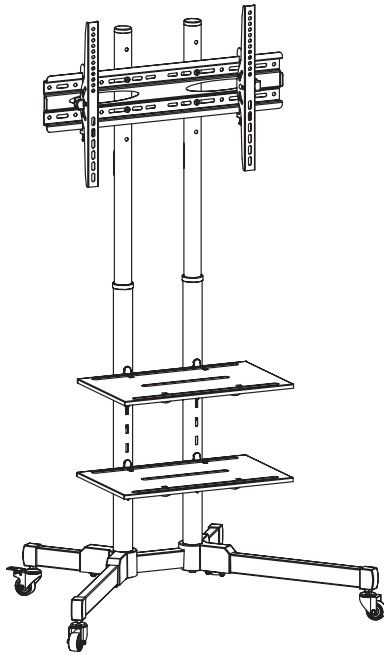




Black Mobile TV Cart

Instruction Manual



SKU: STAND-TV01B



Scan the QR code with your mobile device or follow the link for helpful videos and specifications related to this product.

<https://vivo-us.com/products/stand-tv01b>

GET IN TOUCH | Monday-Friday from 7:00am-7:00pm CST



help@vivo-us.com



www.vivo-us.com
Chat live with an agent!



309-278-5303

⚠️ WARNING!

If you do not understand these directions, or if you have any doubts about the safety of the installation, please call a qualified technician. Check carefully to make sure there are no missing or defective parts. Improper installation may cause damage or serious injury. Do not use this product for any purpose that is not explicitly specified in this manual. Do not exceed weight capacity. We cannot be liable for damage or injury caused by improper mounting, incorrect assembly or inappropriate use.

⚠️ TIPOVER WARNING

SERIOUS OR FATAL CRUSHING INJURIES CAN OCCUR FROM TIPOVER. TO HELP PREVENT TIPOVER:

- NEVER ALLOW CHILDREN TO CLIMB, STAND, HANG, OR PLAY ON ANY PART OF TV OR TV CART.
- USE TIPOVER RESTRAINT OR ANCHOR STAND TO WALL

USE OF TIPOVER RESTRAINTS MAY ONLY REDUCE, BUT NOT ELIMINATE RISK OF TIPOVER.

PACKAGE CONTENTS



A (x2)
Back Foot



B (x2)
Front Foot



C (x1)
Base



D (x4)
Metal Spacer



E (x2)
Caster



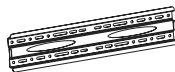
F (x2)
Locking Caster



G (x2)
Pole



H (x6)
Cable Grommet



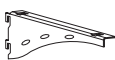
I (x1)
Plate



J (x2)
Shelf



K (x2)
Right Shelf Bracket



L (x2)
Left Shelf Bracket



M (x1)
Right TV Bracket



N (x1)
Left TV Bracket



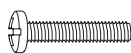
O (x4)
Shelf Clip



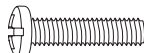
M-A (x4)
M6x14mm Screw



M-B (x4)
Mx16mm Screw



M-C (x4)
M6x30mm Screw



M-D (x4)
M8x35mm Screw



M-E (x4)
M8 Washer



M-F (x4)
Small Spacer



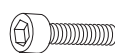
M-G (x4)
Big Spacer



P-A (x8)
M8x65mm Screw



P-B (x4)
M8x60mm Screw



P-C (x2)
M10x35mm Screw



P-D (x2)
M10 Washer



P-E (x4)
M8 Washer



P-F (x12)
M8 Nut



P-G (x1)
Wrench



P-H (x1)
5mm Allen Wrench



P-I (x1)
8mm Allen Wrench

NOTE: SOME HARDWARE INCLUDED MAY NOT BE USED



DO NOT EXCEED WEIGHT CAPACITY.

Failure to do so may result in serious injury.

110lbs
(49.9kg)



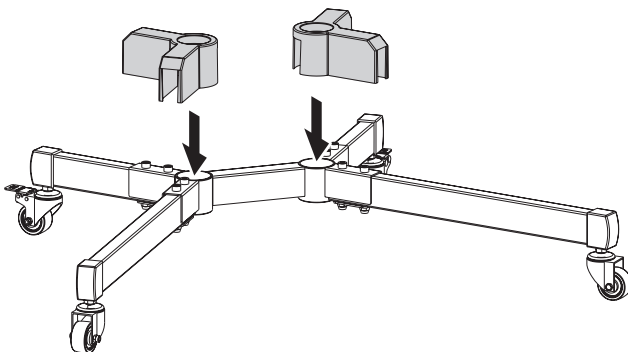
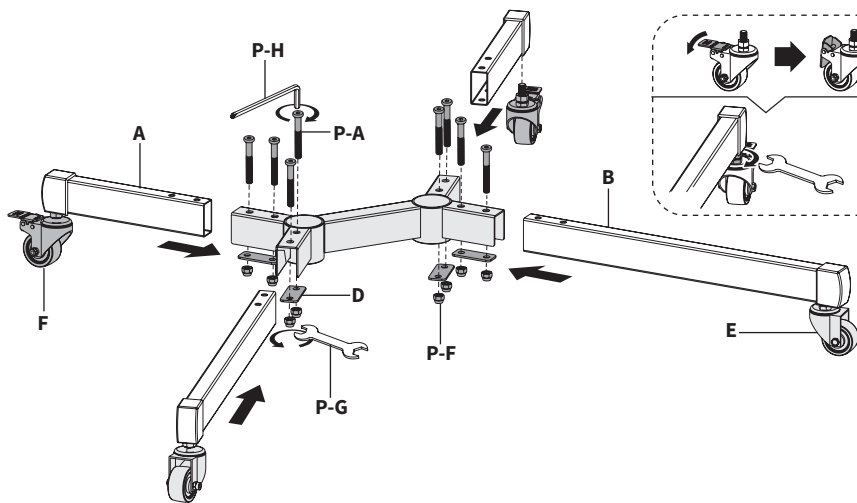
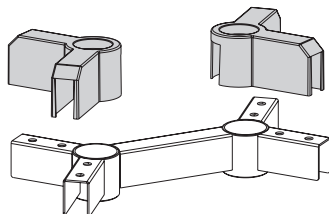
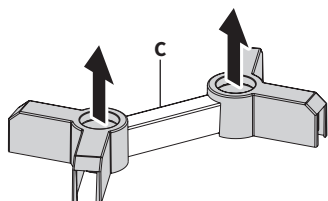
WARNING: CHOKING HAZARD

SMALL PARTS - NOT FOR CHILDREN UNDER 3 YEARS. ADULT SUPERVISION IS REQUIRED.

ASSEMBLY STEPS

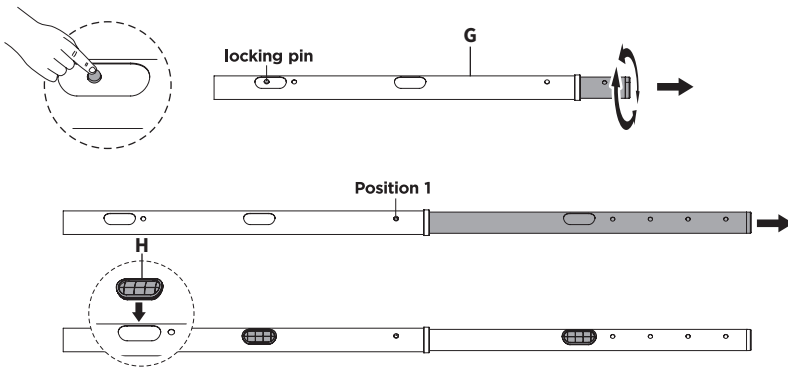
STEP 1

Remove plastic covers from Base (C). Attach Feet (A,B) using M8x65mm Screws (P-A) Metal Spacers (D) and M8 Nuts (P-F). Tighten using 5mm Allen Wrench (P-H) and Wrench (P-G). Thread Casters (E,F) into bottom of feet using Wrench (P-G). Reattach plastic covers.



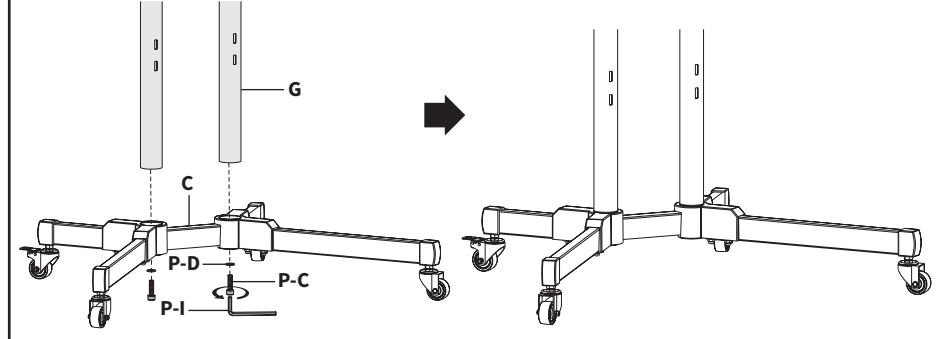
STEP 2

Press button on bottom half of Poles (**G**) to extend the two halves. Slide button into top hole to secure pole length. Insert Cable Grommets (**H**) into holes as shown in diagram.



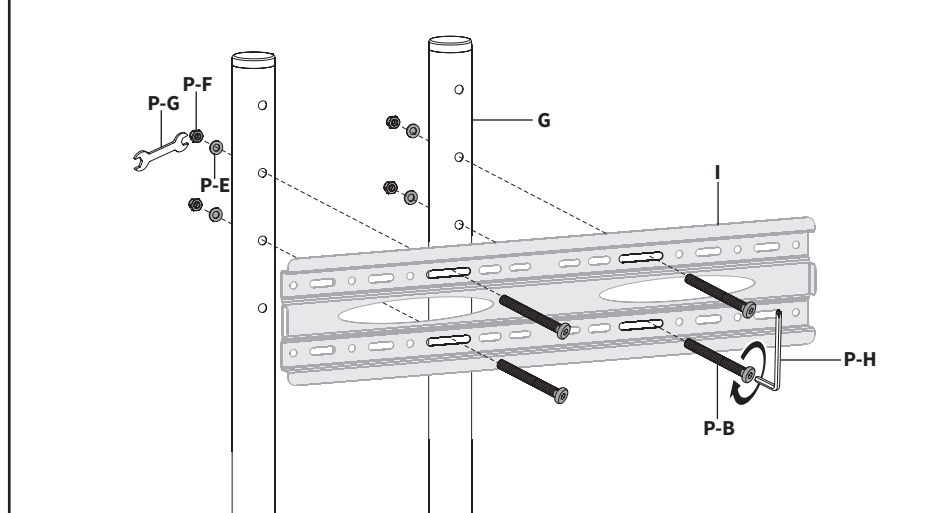
STEP 3

Insert Poles (**G**) into Base (**C**) and secure using M10x35mm Screws (**P-C**) and M10 Washers (**P-D**). Tighten using 8mm Allen Wrench (**P-I**).



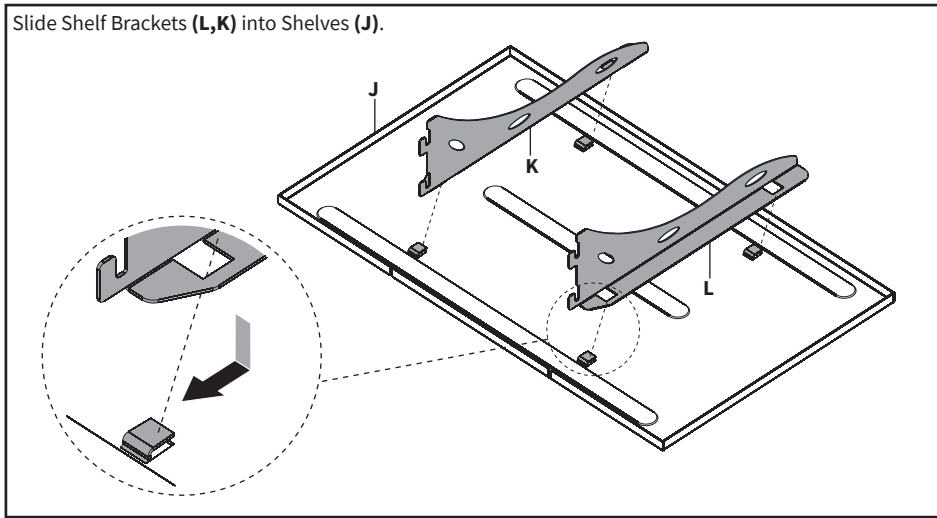
STEP 4

Attach Plate (**I**) to Poles (**G**) using M8x60mm Screws (**P-B**), M8 Washers (**P-E**) and M8 Nuts (**P-F**) at the desired height. Tighten using 5mm Allen Wrench (**P-H**) and Wrench (**P-G**).



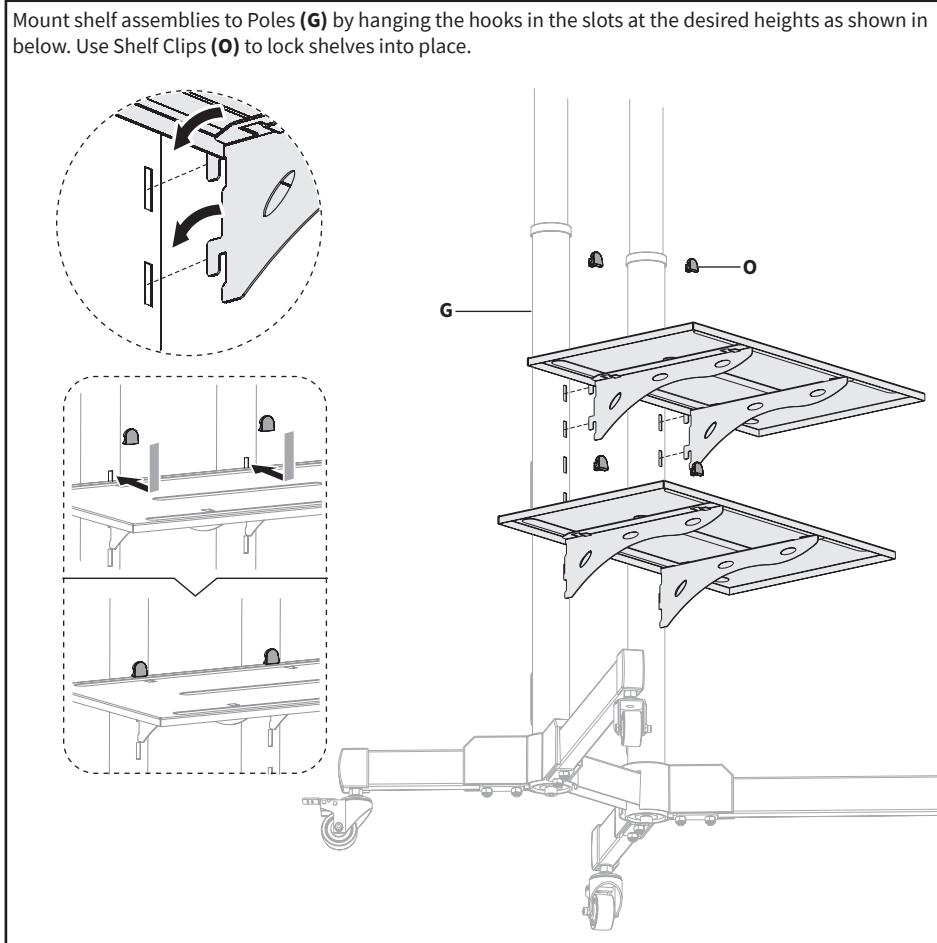
STEP 5

Slide Shelf Brackets (**L,K**) into Shelves (**J**).



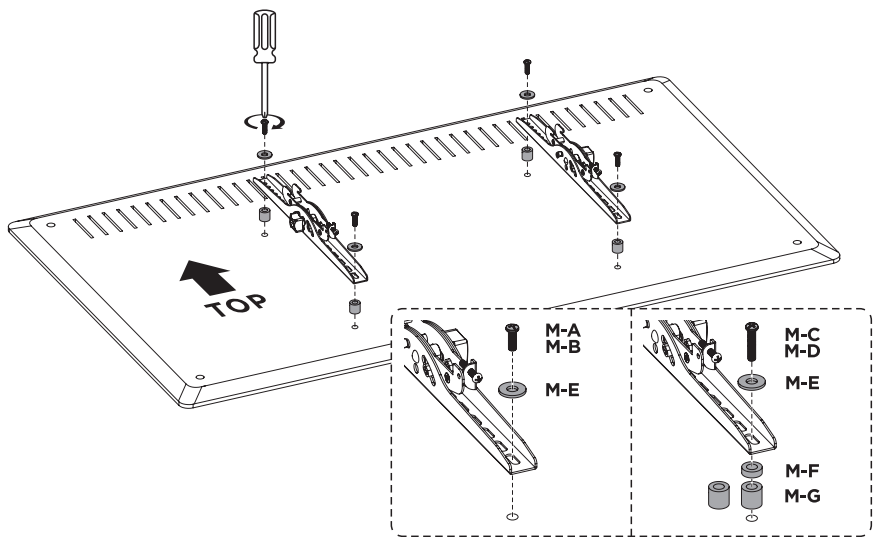
STEP 6

Mount shelf assemblies to Poles (**G**) by hanging the hooks in the slots at the desired heights as shown in below. Use Shelf Clips (**O**) to lock shelves into place.



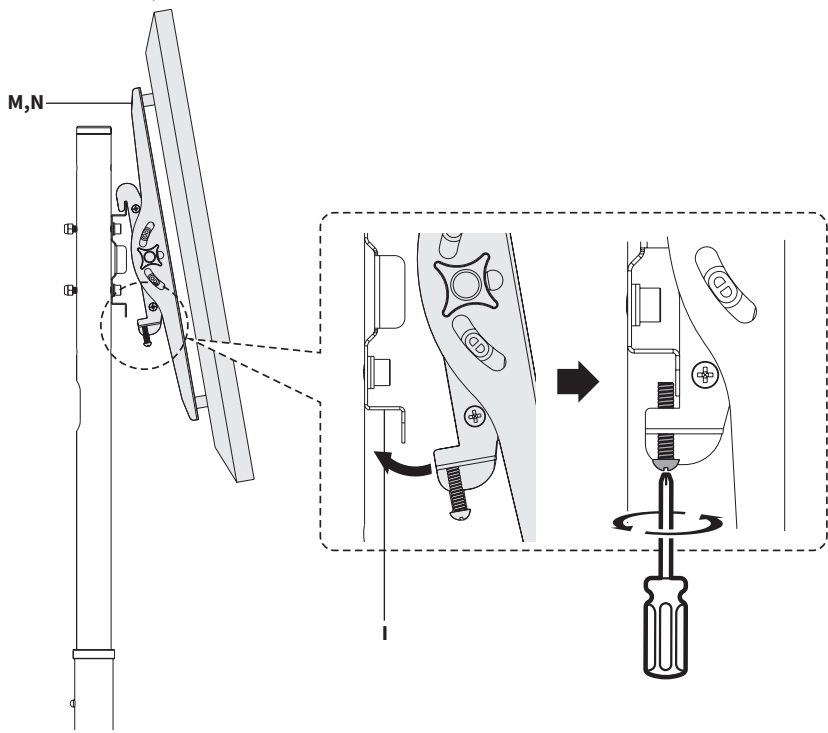
STEP 7

Attach TV Brackets (**N,M**) to back of television using Screws (**M-A through M-F**) and M8 Washers (**M-E**) using Phillips head screwdriver. Spacers (**M-F, M-G**) may be required.



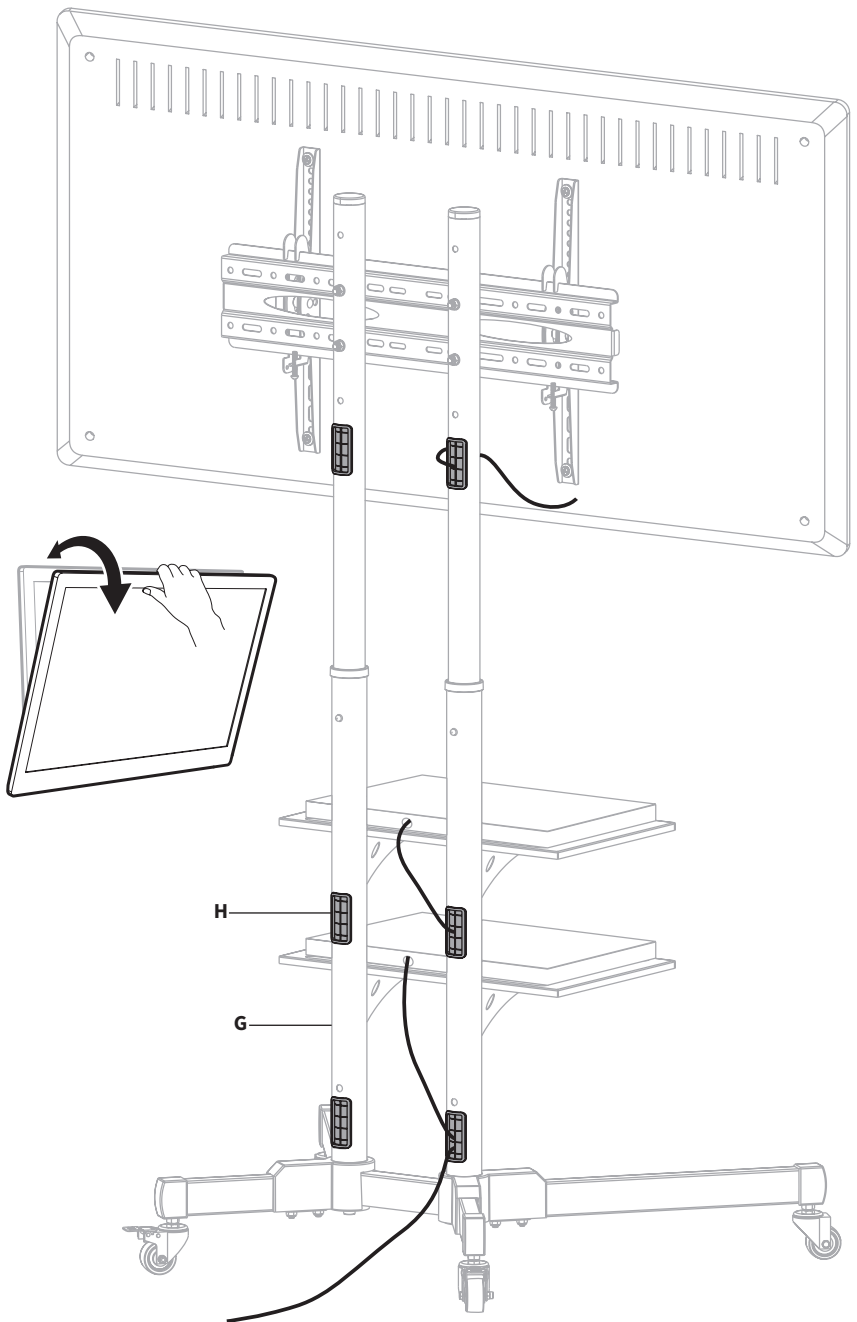
STEP 8

Hang TV Brackets (**M, N**) with television on Plate (**I**) and tighten security screws on the bottom of brackets with a Phillips screwdriver to secure.



STEP 9

Route cables through Cable Grommets (**H**) in Poles (**G**). Adjust as desired.





Open **Monday - Friday 7:00am - 7:00pm** CST,
our dedicated support team can offer immediate assistance with rapid response times. If any parts are received damaged or defective, please contact us. We are happy to replace parts to ensure you have a fully functioning product.



309-278-5303

AVG. RESOLUTION TIME (*within office hrs*): **5M 4S**



www.vivo-us.com
Chat live with an agent!

AVG. RESOLUTION TIME (*within office hrs*): **< 15 M**



help@vivo-us.com

AVG. RESPONSE TIME (*within office hrs*): **1HR 8M**

- 23% within < 15m
- 38% within < 30m
- 61% within < 1hr
- 83% within < 2hr
- 92% within < 3hr