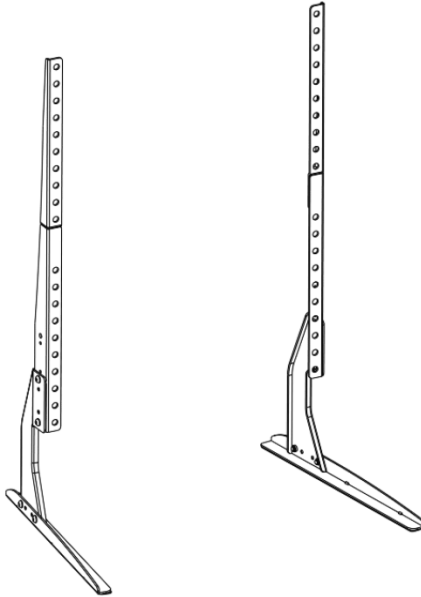




Tabletop TV Stand

Instruction Manual



SKU: STAND-TV00Y



Scan the QR code with your mobile device or follow the link for helpful videos and specifications related to this product.

<https://vivo-us.com/products/stand-tv00y>



help@vivo-us.com



www.vivo-us.com



1-800-371-5654

WARNING!

If you do not understand these directions, or if you have any doubts about the safety of the installation, please call a qualified technician. Check carefully to make sure there are no missing or defective parts. Improper installation may cause damage or serious injury. Do not use this product for any purpose that is not explicitly specified in this manual. Do not exceed weight capacity. We cannot be liable for damage or injury caused by improper mounting, incorrect assembly or inappropriate use.

TIPOVER WARNING

SERIOUS OR FATAL CRUSHING INJURIES CAN OCCUR FROM TIPOVER. TO HELP PREVENT TIPOVER:

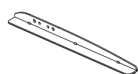
- NEVER ALLOW CHILDREN TO CLIMB, STAND, HANG, OR PLAY ON ANY PART OF TV OR TV STAND.
- USE TIPOVER RESTRAINT OR ANCHOR STAND TO WALL

USE OF TIPOVER RESTRAINTS MAY ONLY REDUCE, BUT NOT ELIMINATE RISK OF TIPOVER.

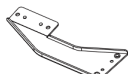
WARNING: CHOKING HAZARD

SMALL PARTS - NOT FOR CHILDREN UNDER 3 YEARS. ADULT SUPERVISION IS REQUIRED.

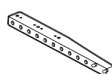
PACKAGE CONTENTS



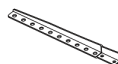
A1 (x1)
Base Plate



A2 (x1)
Junction Plate



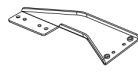
A3 (x1)
TV Bracket



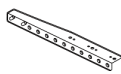
A4 (x1)
TV Bracket



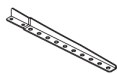
B1 (x1)
Base Plate



B2 (x1)
Junction Plate



B3 (x1)
TV Bracket



B4 (x1)
TV Bracket



C (x8)
M6x10



D (x4)
M6 Nut



E (x4)
Nut



F (x1)
Allen Wrench



G (x1)
Crescent
Wrench



a (x4)
M4x12



b (x4)
M4x30



c (x4)
M6x20



d (x4)
M6x35



e (x4)
M8x20



f (x4)
M8x35



g (x4)
M4 Washer



h (x4)
M6 Washer



i (x4)
M8 Washer



j (x4)
M4 Spacer



k (x8)
M6/8 Spacer



l (x2)
Soft Pad

NOTE: SOME HARDWARE INCLUDED MAY NOT BE USED

TOOLS NEEDED



DO NOT EXCEED WEIGHT CAPACITY.

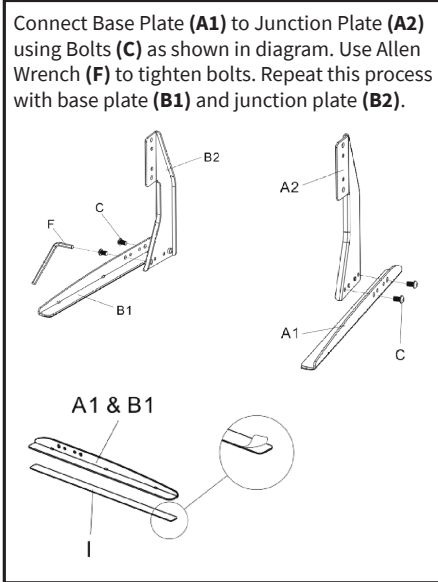
Failure to do so may result in serious injury.



ASSEMBLY STEPS

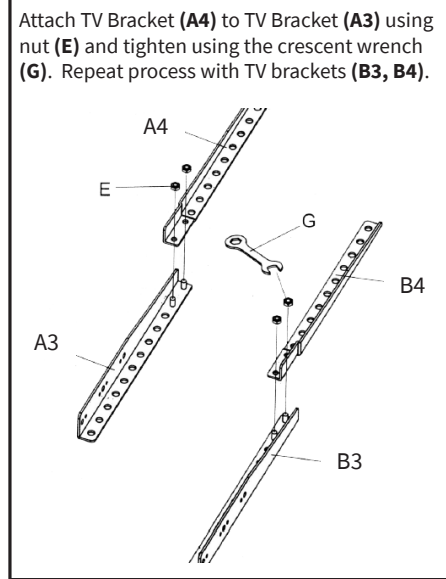
STEP 1

Connect Base Plate (**A1**) to Junction Plate (**A2**) using Bolts (**C**) as shown in diagram. Use Allen Wrench (**F**) to tighten bolts. Repeat this process with base plate (**B1**) and junction plate (**B2**).



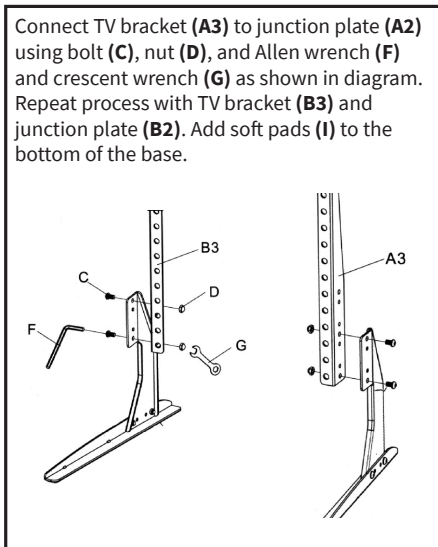
STEP 2

Attach TV Bracket (**A4**) to TV Bracket (**A3**) using nut (**E**) and tighten using the crescent wrench (**G**). Repeat process with TV brackets (**B3**, **B4**).



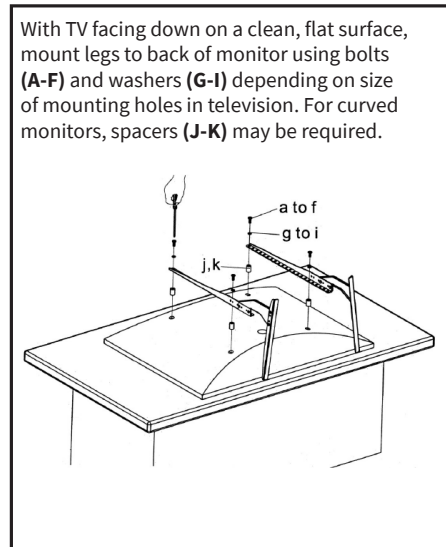
STEP 3

Connect TV bracket (**A3**) to junction plate (**A2**) using bolt (**C**), nut (**D**), and Allen wrench (**F**) and crescent wrench (**G**) as shown in diagram. Repeat process with TV bracket (**B3**) and junction plate (**B2**). Add soft pads (**I**) to the bottom of the base.



STEP 4

With TV facing down on a clean, flat surface, mount legs to back of monitor using bolts (**A-F**) and washers (**G-I**) depending on size of mounting holes in television. For curved monitors, spacers (**J-K**) may be required.





Love your new VIVO setup and want to share?

Tag us in your photo! **@vivo_us**

Last Updated: 3/6/2019



If any parts are received damaged or defective, please contact us. We are happy to replace parts to ensure you have a fully functioning product.



help@vivo-us.com



www.vivo-us.com



1-800-371-5654

For more VIVO products, check out our website at:

www.vivo-us.com.