

Tabletop TV Stand

SKU: STAND-TV00Y
Instruction Manual

Assembly Video & Product Info
www.vivo-us.com/products/stand-tv00y



! CAUTION! !

If you do not understand these directions, or if you have any doubts about the safety of the installation, please contact our product support team at 309-278-5303 or help@vivo-us.com for further assistance. Check carefully to make sure there are no missing or defective parts. Improper installation may cause damage or serious injury. Do not use this product for any purpose that is not explicitly specified in this manual. Do not exceed weight capacity. We cannot be liable for damage or injury caused by improper mounting, incorrect assembly or inappropriate use.



WARNING: CHOKING HAZARD

SMALL PARTS - NOT FOR CHILDREN UNDER 3 YEARS. ADULT SUPERVISION IS REQUIRED.



DO NOT EXCEED WEIGHT CAPACITY

FAILURE TO DO SO MAY RESULT IN SERIOUS INJURY.



TIPOVER WARNING

**SERIOUS OR FATAL CRUSHING INJURIES CAN OCCUR FROM TIPOVER.
TO HELP PREVENT TIPOVER:**

- NEVER ALLOW CHILDREN TO CLIMB, STAND, HANG, OR PLAY ON ANY PART OF TV OR TV CART
- USE TIPOVER RESTRAINT OR ANCHOR STAND TO WALL

USE OF TIPOVER RESTRAINTS MAY ONLY REDUCE, BUT NOT ELIMINATE RISK OF TIPOVER.

We're Here for You

Open **Monday - Friday 7:00am - 7:00pm CST**, our dedicated support team can offer immediate assistance with rapid response times. If any parts are received damaged or defective, please contact us. We are happy to replace parts to ensure you have a fully functioning product.



Give us a Call:
309-278-5303

AVG. RESOLUTION TIME (*within office hrs*): **5M 4S**



Chat Us:
www.vivo-us.com

AVG. RESOLUTION TIME (*within office hrs*): **< 15 M**

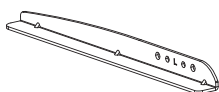


Email Us:
help@vivo-us.com

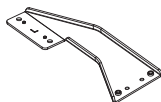
AVG. RESPONSE TIME (*within office hrs*): **1HR 8M**

- 23% within < 15m
- 38% within < 30m
- 61% within < 1hr
- 83% within < 2hr
- 92% within < 3hr

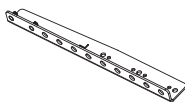
Package Contents



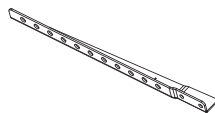
A (x1)
Left Foot



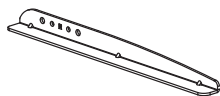
B (x1)
Left Connecting
Bracket



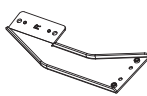
C (x1)
Left Middle
Upright



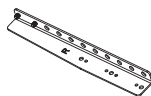
D (x1)
Left Top
Upright



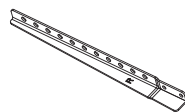
E (x1)
Right Foot



F (x1)
Right Connecting
Bracket



G (x1)
Right Middle
Upright



H (x1)
Right Top Upright



I (x2)
Pad

LEFT & RIGHT PART LABELING:

Parts are labeled with a **R** or **L** engraved in the metal to help distinguish right or left.

Included Hardware & Tools



S-A (x8)
M6x10mm
Screw



S-B (x8)
M6 Cap Nut



M-A (x4)
M4x12mm
Screw



M-B (x4)
M4x30mm
Screw



M-C (x4)
M6x20mm
Screw



M-D (x4)
M6x35mm
Screw



M-E (x4)
M8x20mm
Screw



M-F (x4)
M8x35mm
Screw



M-G (x4)
M8x50mm
Screw



M-H (x4)
M4 Washer



M-I (x4)
M6 Washer



M-J (x4)
M8 Washer



M-K (x8)
Small Spacer



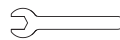
M-L (x4)
Medium Spacer



M-M (x4)
Large Spacer



T-A (x1)
4mm
Allen Wrench



T-B (x1)
Wrench

Tools Needed:



**Phillips
Screwdriver**

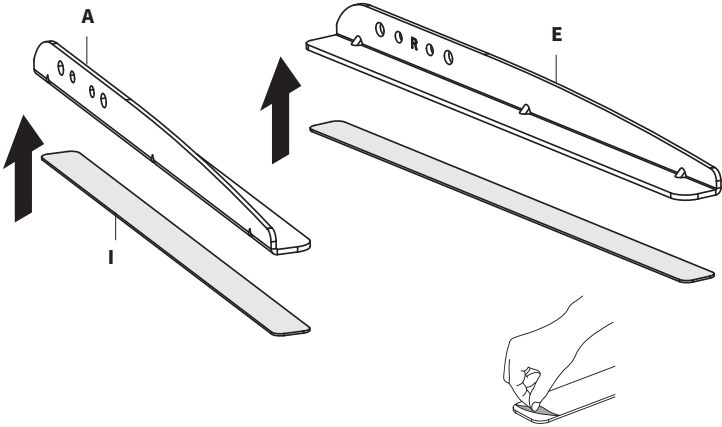
Weight Capacity:



ASSEMBLY STEPS

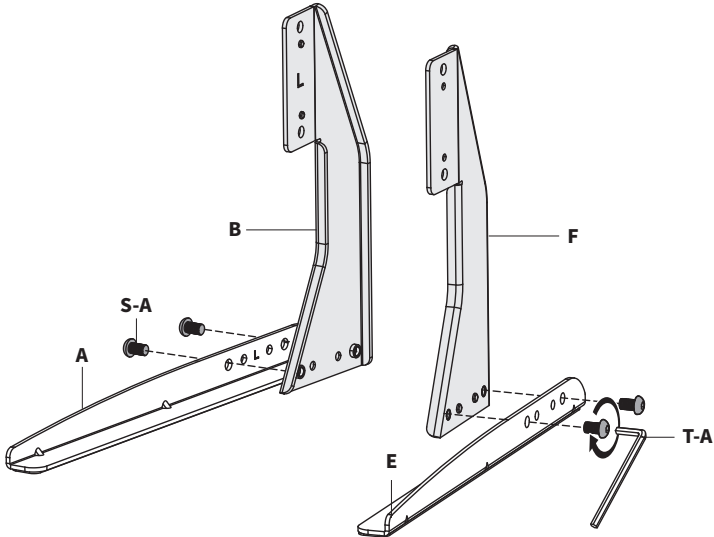
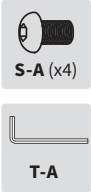
STEP 1

Remove protective film from Pads (I) and apply them to the bottom of Left and Right Feet (A,E).



STEP 2

Secure Left Connecting Bracket (B) to Left Foot (A), and Right Connect Bracketing (F) to Right Foot (E) using M6x10mm Screws (S-A) and 4mm Allen Wrench (T-A).

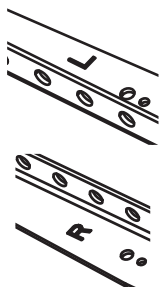
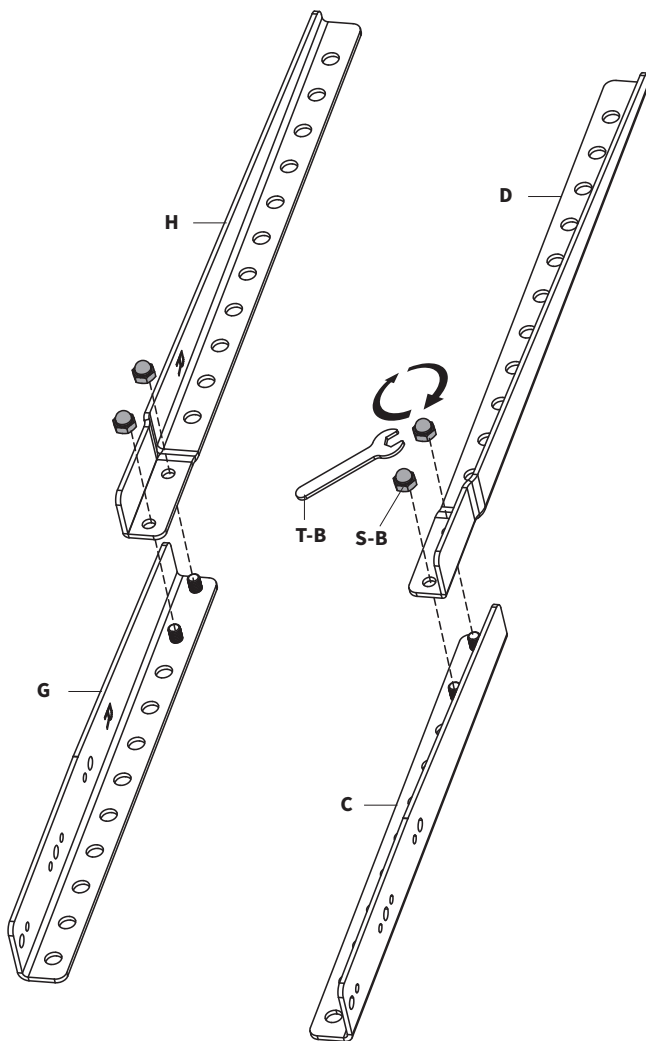
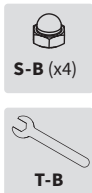


LEFT & RIGHT PART LABELING:
Parts are labeled with an “R” or “L”. Ensure that parts are assembled with match labeled parts, *Right with Right, Left with Left.*

The diagram shows two sets of parts. The first set consists of a bracket and a foot, both labeled 'L'. The second set consists of a bracket and a foot, both labeled 'R'. This illustrates the requirement to match left parts with left parts and right parts with right parts.

STEP 3

Assemble Right Top Upright (**H**) to threads on Right Middle Upright (**G**), and Left Top Upright (**D**) to threads on Left Middle Upright (**C**), using M6 Cap Nuts (**S-B**) and Wrench (**T-B**).



LEFT & RIGHT PART LABELING:

Parts are labeled with an “R” or “L”. Ensure that parts are assembled with match labeled parts, *Right with Right, Left with Left.*

STEP 4

Connect Left Middle Upright (C) to Left Connecting Bracket (B) assembly, and Right Middle Upright (G) to Right Connecting Bracket (F) assembly, using M6x10mm Screws (S-A) and M6 Cap Nuts (S-B). Tighten using 4mm Allen Wrench (T-A) and Wrench (T-B).



S-A (x4)



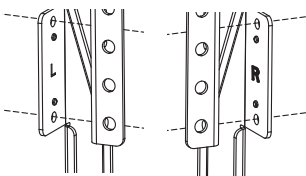
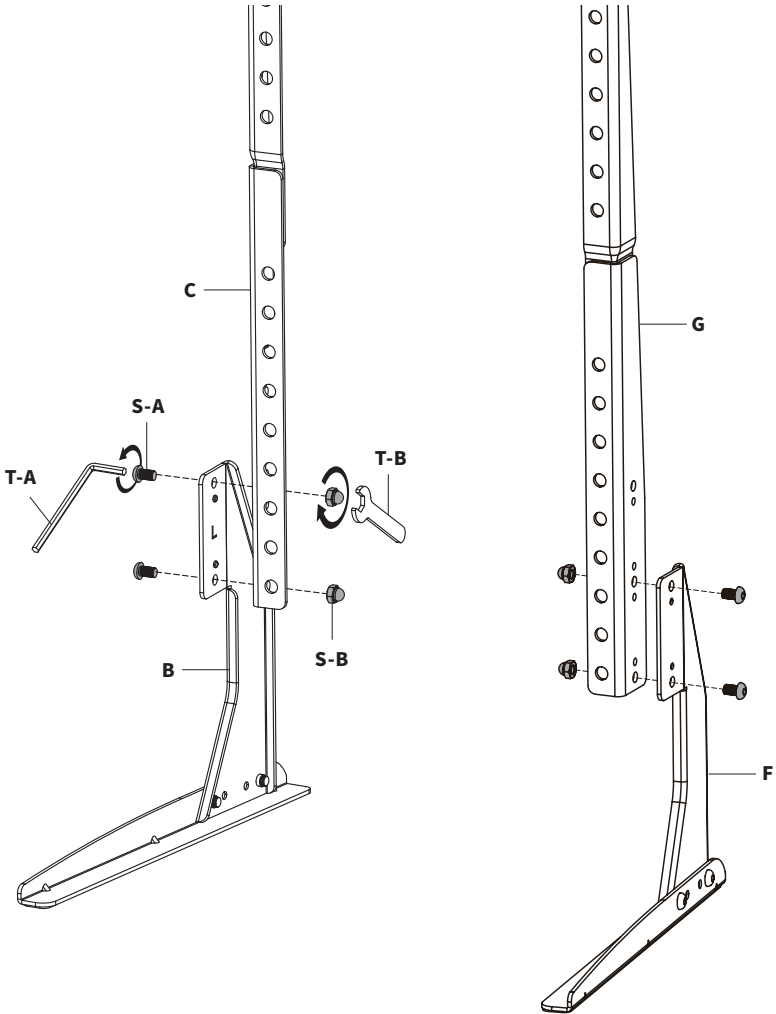
S-B (x4)



T-A



T-B

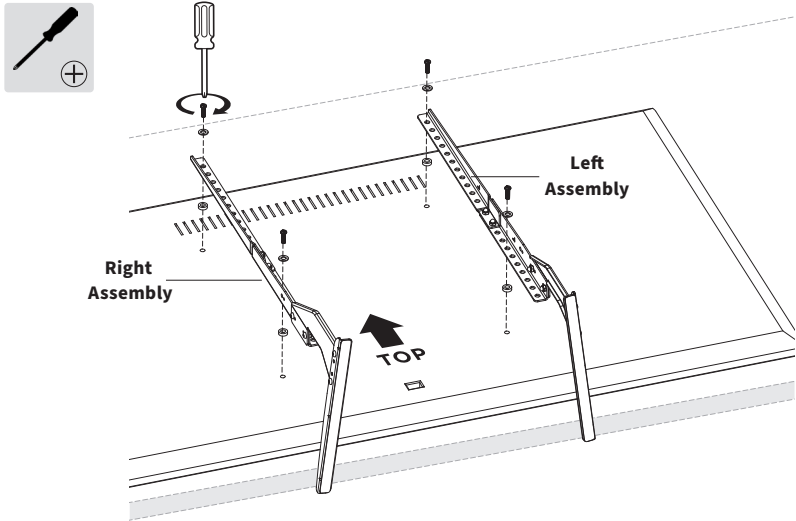


LEFT & RIGHT PART LABELING:

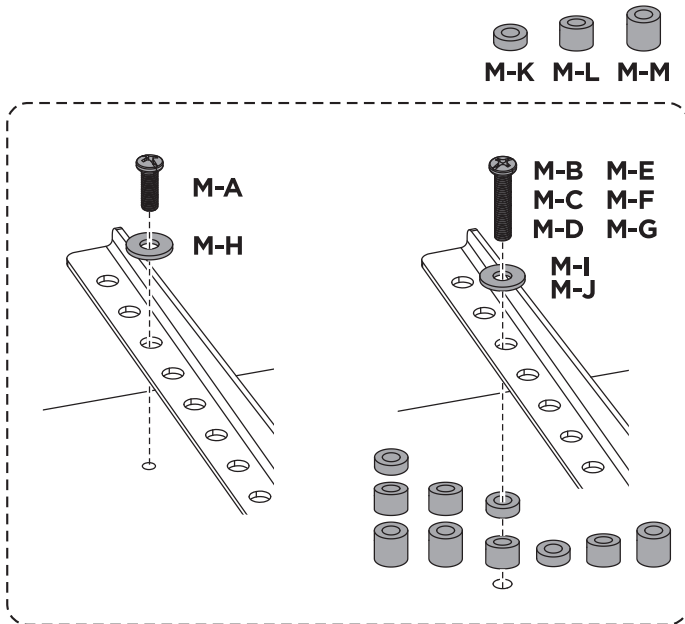
Parts are labeled with an "R" or "L". Ensure that parts are assembled with match labeled parts, *Right with Right, Left with Left.*

STEP 5

Secure Left and Right Assemblies to the back of your screen using appropriate Screws (**M-A thru M-G**), Washers (**M-H thru M-J**), and Spacers (**M-K thru M-M**). Tighten screws using a Phillips screwdriver.



NOTE: When looking towards the back of your display, bracket set “L” should be installed on the right side and brackets “R” should be placed on the left side.





Need Help? Get In Touch

Monday-Friday from 7:00am-7:00pm CST



help@vivo-us.com



www.vivo-us.com

Chat live with an agent!



309-278-5303



VIVO-us



@vivo_us