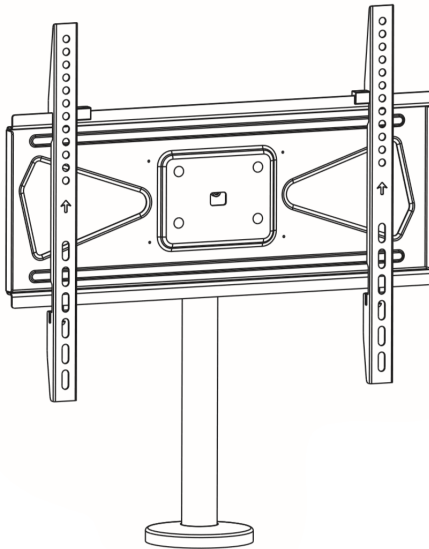




---

## Bolt-Down TV Mount Instruction Manual



**SKU: STAND-TV00M4**



Scan the QR code with your mobile device or follow the link for helpful videos and specifications related to this product.

<https://vivo-us.com/products/stand-tv00m4>

---

GET IN TOUCH | Monday-Friday from 7:00am-7:00pm CST



help@vivo-us.com



www.vivo-us.com  
*Chat live with an agent!*



309-278-5303

# ⚠️ WARNING!

If you do not understand these directions, or if you have any doubts about the safety of the installation, please call a qualified technician. Check carefully to make sure there are no missing or defective parts. Improper installation may cause damage or serious injury. Do not use this product for any purpose that is not explicitly specified in this manual. Do not exceed weight capacity. We cannot be liable for damage or injury caused by improper mounting, incorrect assembly or inappropriate use.

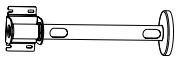
## ⚠️ TIPOVER WARNING

SERIOUS OR FATAL CRUSHING INJURIES CAN OCCUR FROM TIPOVER. TO HELP PREVENT TIPOVER:

- NEVER ALLOW CHILDREN TO CLIMB, STAND, HANG, OR PLAY ON ANY PART OF TV OR TV STAND.
- USE TIPOVER RESTRAINT OR ANCHOR STAND TO WALL

**USE OF TIPOVER RESTRAINTS MAY ONLY REDUCE, BUT NOT ELIMINATE RISK OF TIPOVER.**

## PACKAGE CONTENTS



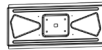
**A (x1)**  
Pole



**B (x2)**  
VESA Bracket



**C (x2)**  
Stopper



**D (x1)**  
TV Plate



**S-A (x4)**  
M6x16mm  
Carriage Bolts



**S-B (x4)**  
M6 Nut



**S-C (x4)**  
M6x25mm  
Screw



**S-D (x4)**  
M6x30mm  
Screw



**M-A (x4)**  
M6x14mm  
Screw



**M-B (x4)**  
M8x16mm  
Screw



**M-C (x4)**  
M6x30mm  
Screw



**M-D (x4)**  
M8x35mm  
Screw



**M-E (x4)**  
M8 Washer



**M-G (x4)**  
Small Spacer



**M-H (x4)**  
Large Spacer



**T-A (x1)**  
Allen Wrench



**T-B (x1)**  
Wrench

**NOTE:** NOT ALL HARDWARE INCLUDED WILL BE USED

### TOOLS NEEDED



**Phillips  
Screwdriver**



**Drill**

**DO NOT EXCEED WEIGHT CAPACITY.**

Failure to do so may result in serious injury.

**110lbs  
(49.90g)**

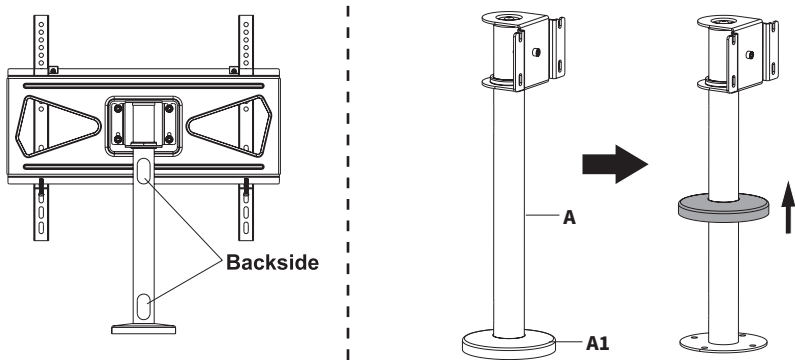
## ⚠️ WARNING: CHOKING HAZARD

SMALL PARTS - NOT FOR CHILDREN UNDER 3 YEARS. ADULT SUPERVISION IS REQUIRED.

# ASSEMBLY STEPS

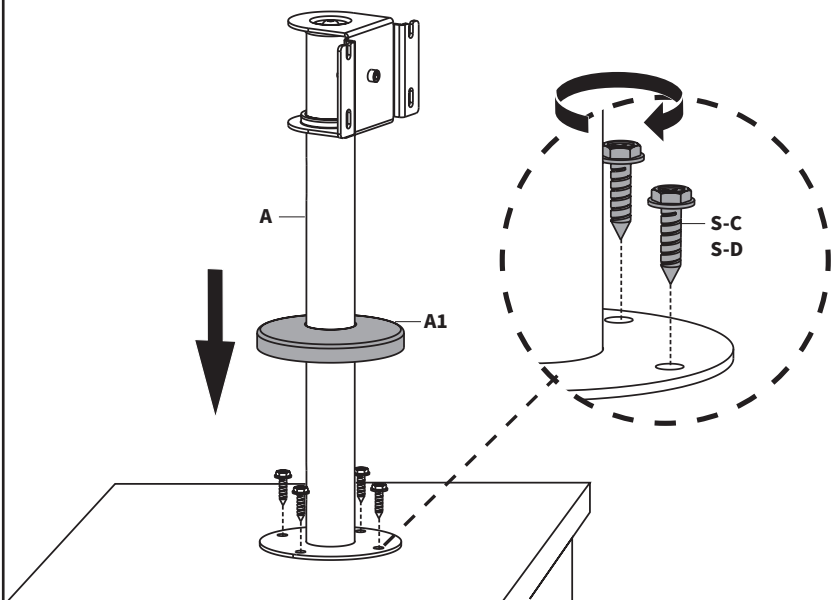
## STEP 1

Slide Base Cover (A1) up to reveal mounting holes on backside of Pole (A).



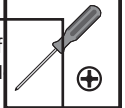
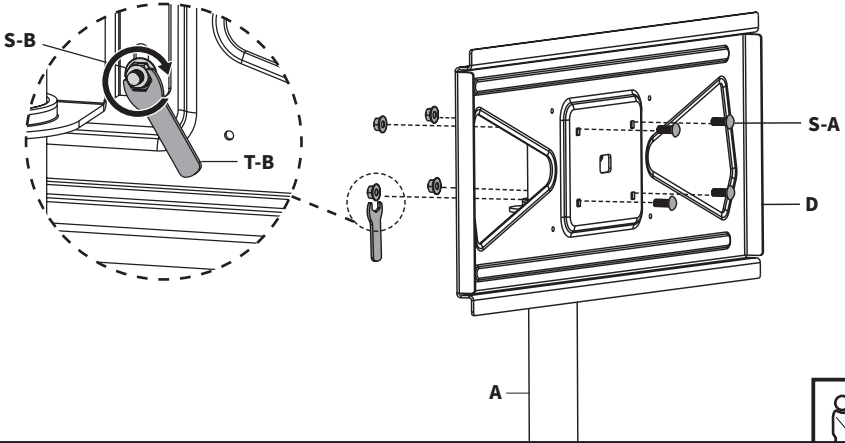
## STEP 2

Position Pole (A) on the desktop and use a 3/16" drill bit to drill pilot holes. For desktops 1" thick, secure with M6x25mm Screws (S-C). For desktops greater than 1" thick, use M6x30mm Screws (S-D). Slide Base Cover (A1) down.



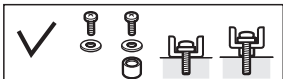
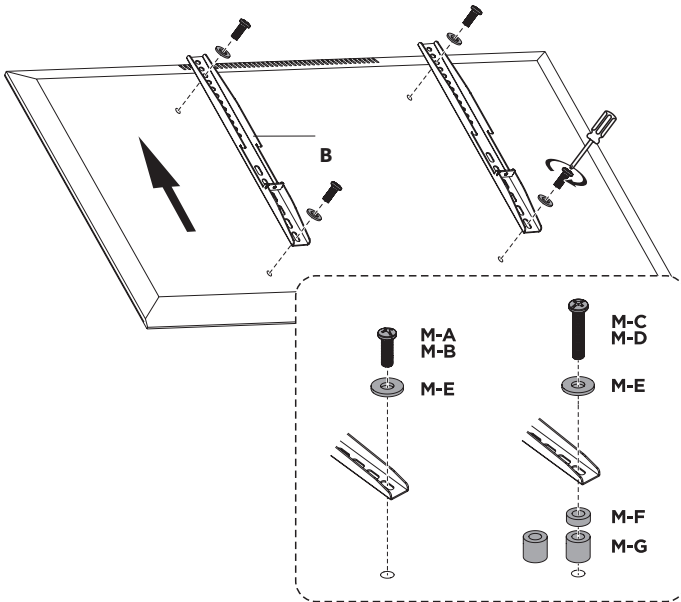
### STEP 3

Attach TV Plate (D) to mounting head on Pole (A) using M6x16mm Carriage Bolts (S-A), M6 Nuts (S-B) and Wrench (T-B).



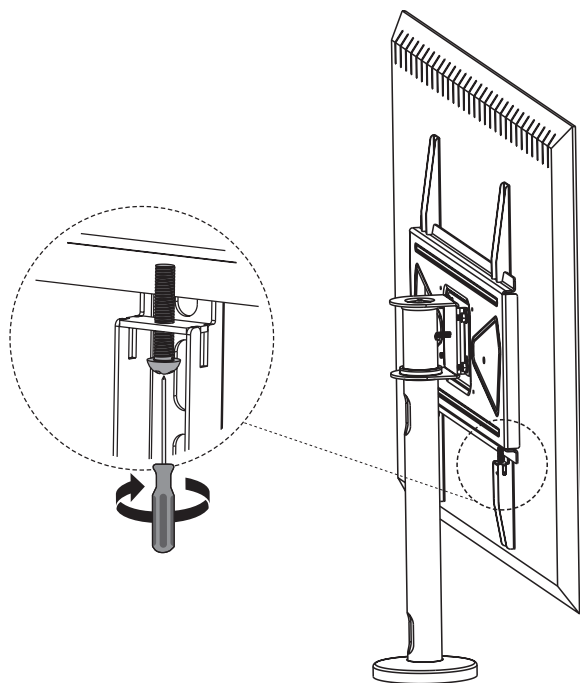
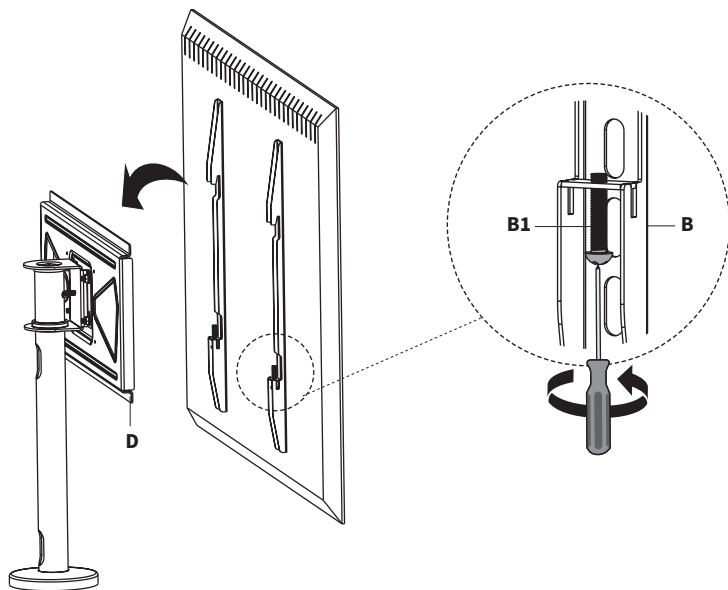
### STEP 4

Position the VESA Bracket (B) on the back of the TV, making sure the hooks are towards the top of TV. Secure using Screws (M-A thru M-D), M8 Washers (M-E) and a Phillips screwdriver. Spacers (M-F, M-G) are provided if needed.



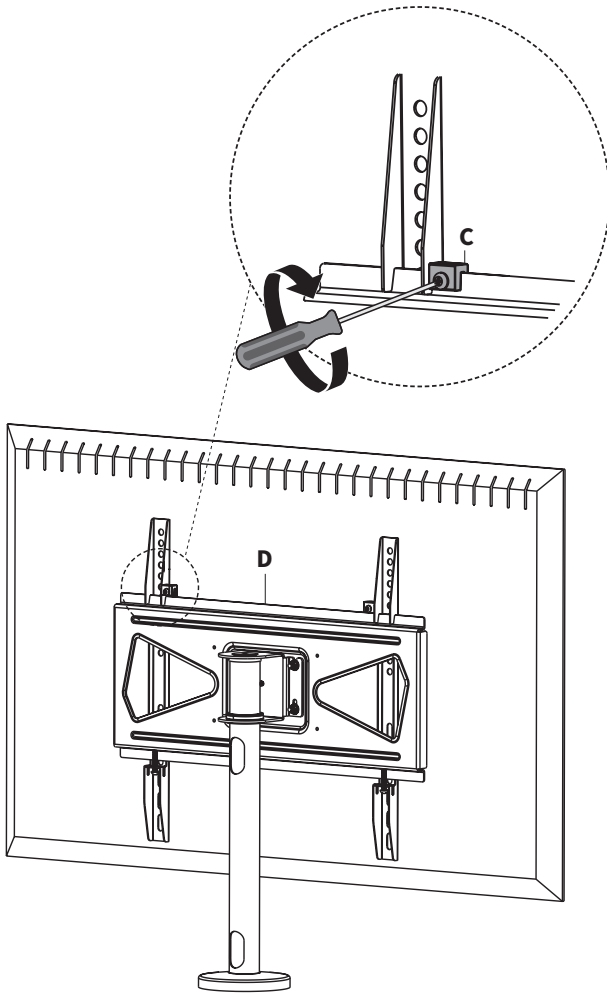
## STEP 5

Loosen Set Screws (**B1**) on VESA Brackets (**B**) with a Phillips screwdriver and hang TV over TV Plate (**D**). use a Phillips screwdriver to tighten security screws underneath to secure.



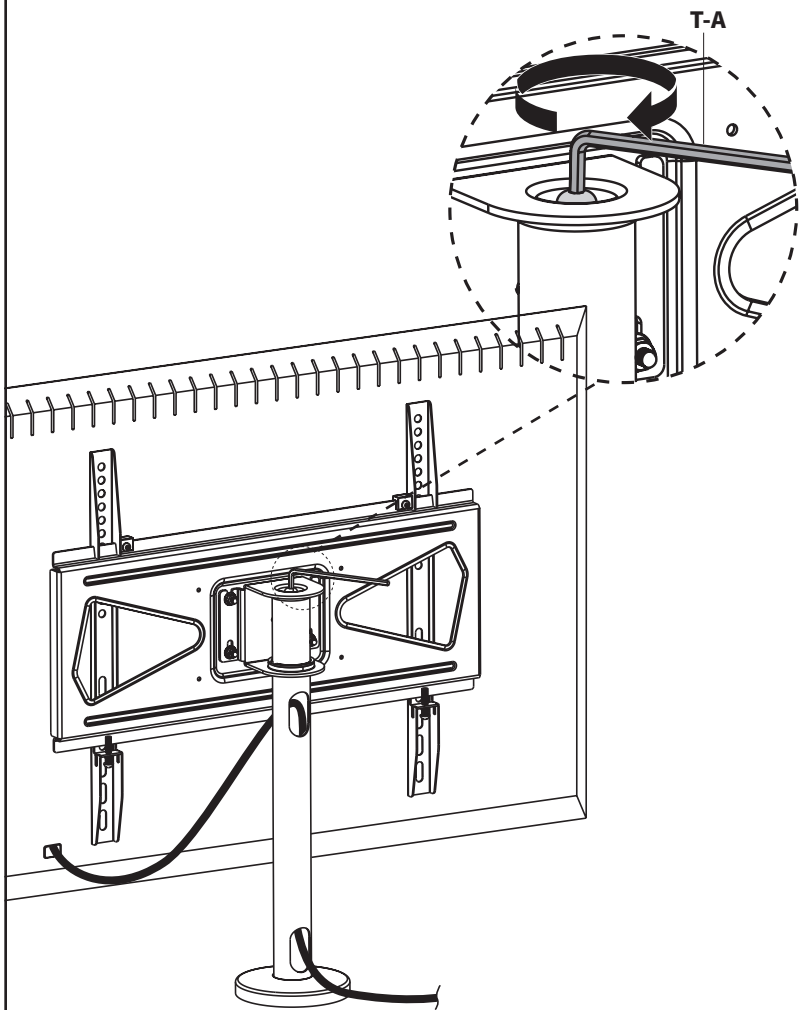
# STEP 6

Install Stoppers (C) on the TV Plate (D) to prevent the TV from sliding.



## STEP 7

Adjust swivel tension using the Allen wrench (**J**). Manage cables using cable holes in pole.





Open **Monday - Friday 7:00am - 7:00pm** CST,  
our dedicated support team can offer immediate assistance with rapid response times. If any parts are received damaged or defective, please contact us. We are happy to replace parts to ensure you have a fully functioning product.



309-278-5303

**AVG. RESOLUTION TIME** (*within office hrs*): **5M 4S**



[www.vivo-us.com](http://www.vivo-us.com)  
*Chat live with an agent!*

**AVG. RESOLUTION TIME** (*within office hrs*): **< 15 M**



[help@vivo-us.com](mailto:help@vivo-us.com)

**AVG. RESPONSE TIME** (*within office hrs*): **1HR 8M**

- 23% within < 15m
- 38% within < 30m
- 61% within < 1hr
- 83% within < 2hr
- 92% within < 3hr