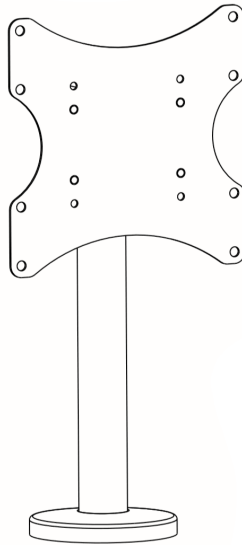




Desktop TV Stand

Instruction Manual



SKU: STAND-TV00M2



Scan the QR code with your mobile device or follow the link for helpful videos and specifications related to this product.

<https://vivo-us.com/products/stand-tv00m2>



help@vivo-us.com



www.vivo-us.com



1-800-371-5654

WARNING!

If you do not understand these directions, or if you have any doubts about the safety of the installation, please call a qualified technician. Check carefully to make sure there are no missing or defective parts. Improper installation may cause damage or serious injury. Do not use this product for any purpose that is not explicitly specified in this manual. Do not exceed weight capacity. We cannot be liable for damage or injury caused by improper mounting, incorrect assembly or inappropriate use.

TIPOVER WARNING

SERIOUS OR FATAL CRUSHING INJURIES CAN OCCUR FROM TIPOVER. TO HELP PREVENT TIPOVER:

- NEVER ALLOW CHILDREN TO CLIMB, STAND, HANG, OR PLAY ON ANY PART OF TV OR TV STAND.
- USE TIPOVER RESTRAINT OR ANCHOR STAND TO WALL

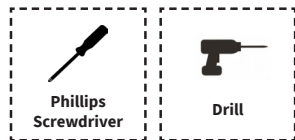
USE OF TIPOVER RESTRAINTS MAY ONLY REDUCE, BUT NOT ELIMINATE RISK OF TIPOVER.

PACKAGE CONTENTS

A (x1) Pole	B (x1) VESA Plate	C (x4) M6 Nut	D (x4) M6x25	E (x4) M6x30	F (x1) Wrench
G (x1) Allen Wrench	M-A (x4) M4x14	M-B (x4) M5x14	M-C (x4) M6x14	M-D (x4) M8x20	M-E (x4) D5 Washer
M-F (x4) D8 Washer	M-G (x8) Spacer				

NOTE: NOT ALL HARDWARE INCLUDED WILL BE USED

TOOLS NEEDED



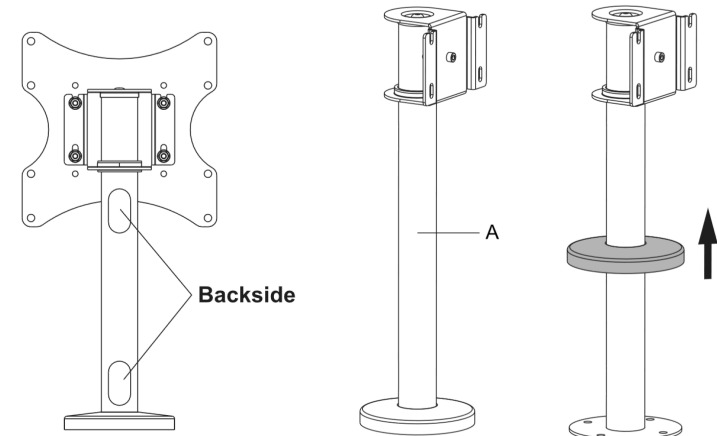
DO NOT EXCEED WEIGHT CAPACITY.
Failure to do so may result in serious injury.



ASSEMBLY STEPS

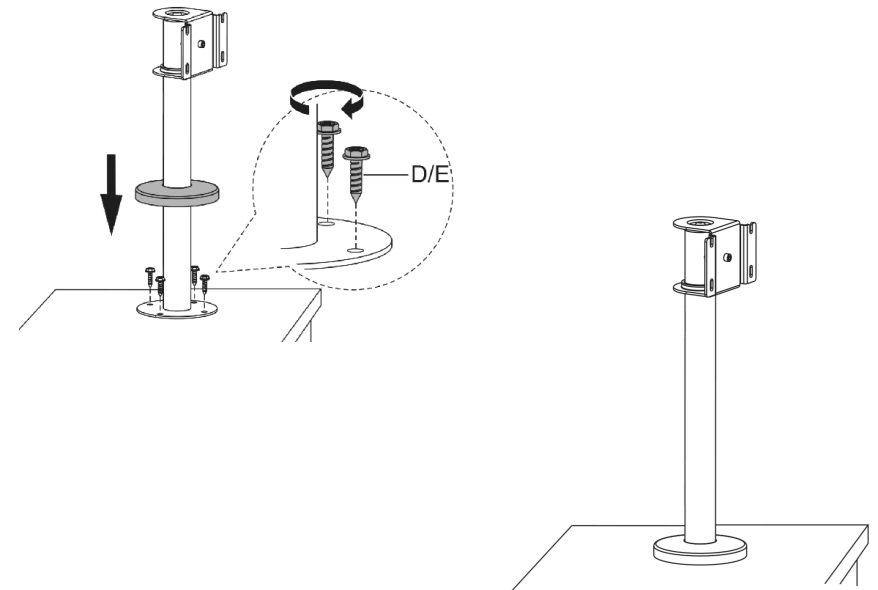
STEP 1

Please note that the cable holes are positioned on the back side of the pole (**A**). Slide the base cover up to reveal mounting holes on the base.



STEP 2

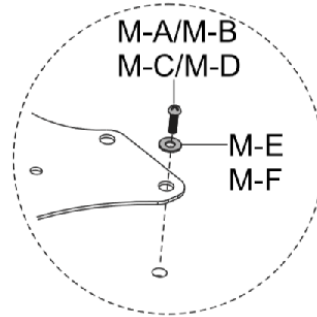
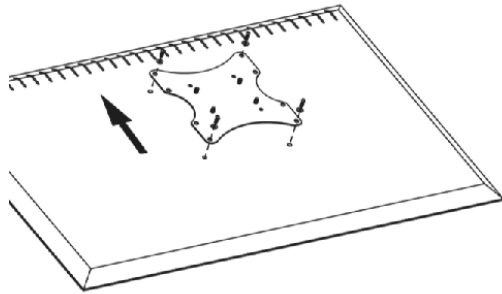
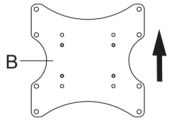
Position the pole on the desktop and drill small pilot holes. Secure M6x25 screws (**D**) or M6x30 screws (**E**) and slide the base cover down.



STEP 3

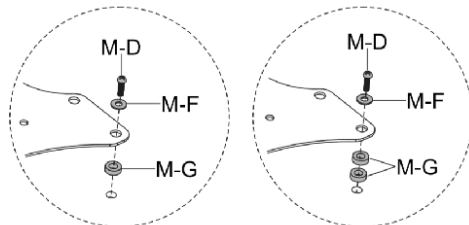
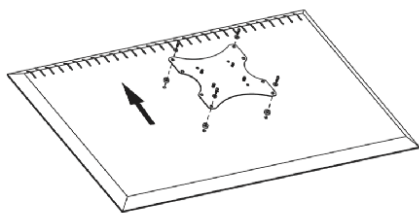
OPTION A: Flat Back Monitor

Position the VESA plate (B) on the back of the TV, making sure the long curved side is facing up. Secure using screws (M-A, M-B, M-C or M-D) with washers (M-E or M-F).



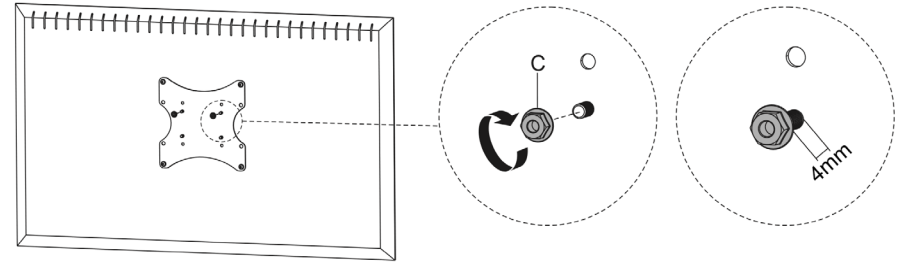
OPTION B: Curved Back Monitor

Position the VESA plate (B) on the back of the TV, making sure the long curved side is facing up. Secure using screws (M-D) with washers (M-F) and spacers (M-G).



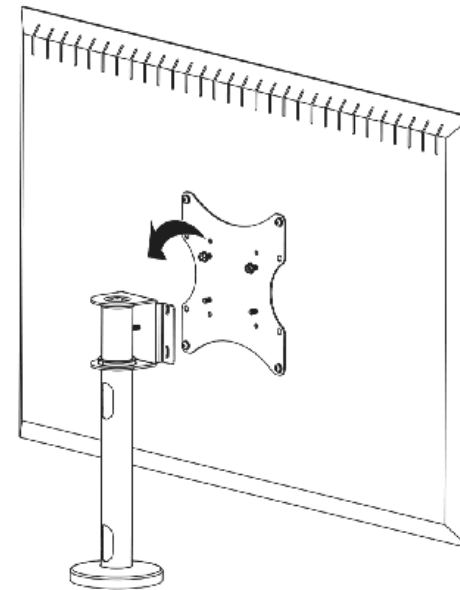
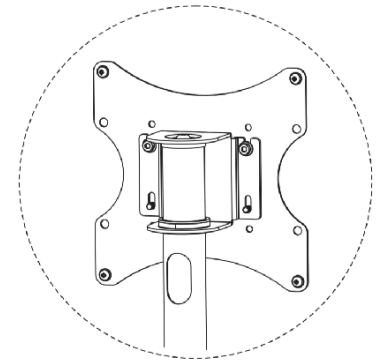
STEP 4

Screw M6 nuts (C) onto top two screws of the VESA plate, leaving 4mm of thread exposed.



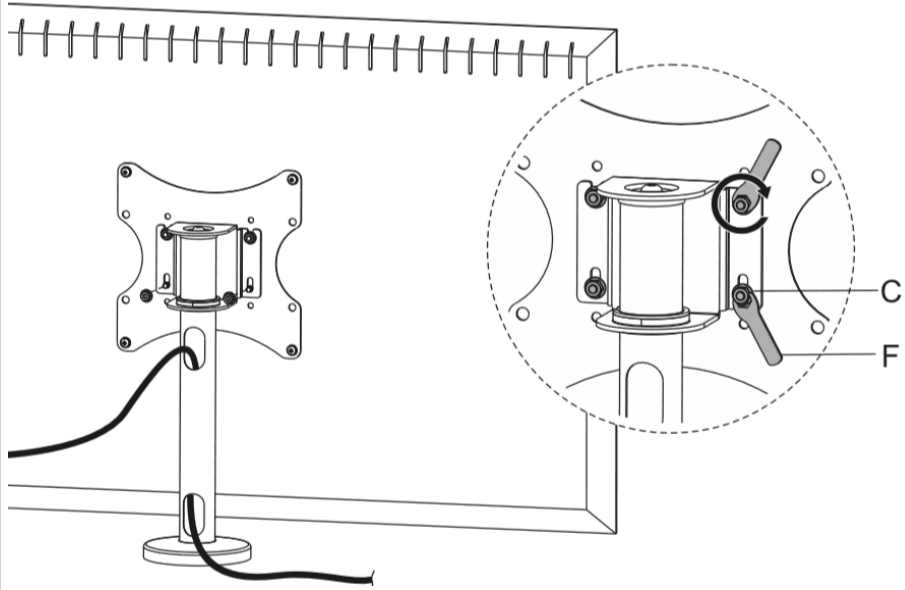
STEP 5

Hang TV with VESA plate (B) over slots in mounting head on pole.



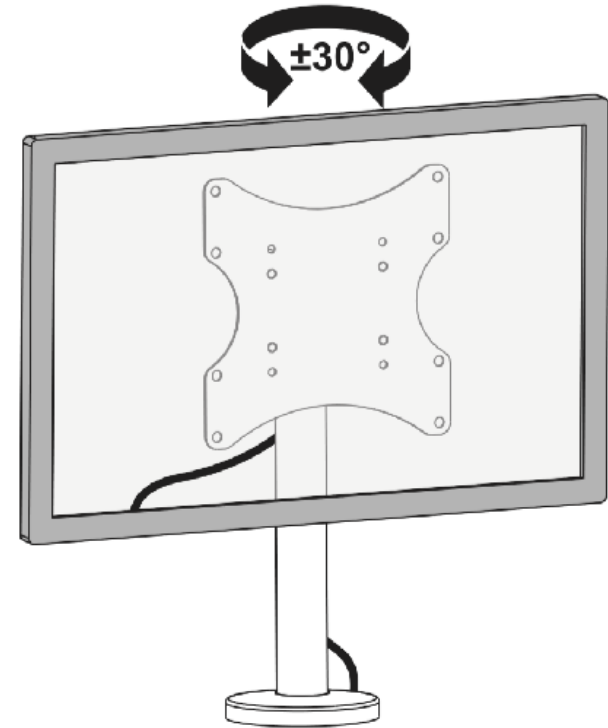
STEP 6

Install M6 nuts (**C**) to lower two screws of the VESA plate, and tighten all nuts with the wrench (**F**).



STEP 7

Adjust swivel tension using the Allen wrench (**G**). Manage cables using cable holes in pole.





Love your new VIVO setup and want to share?

Tag us in your photo! **@vivo_us**

Last Updated: 10/18/2018



If any parts are received damaged or defective, please contact us. We are happy to replace parts to ensure you have a fully functioning product.



help@vivo-us.com



www.vivo-us.com



1-800-371-5654

For more VIVO products, check out our website at:
www.vivo-us.com.