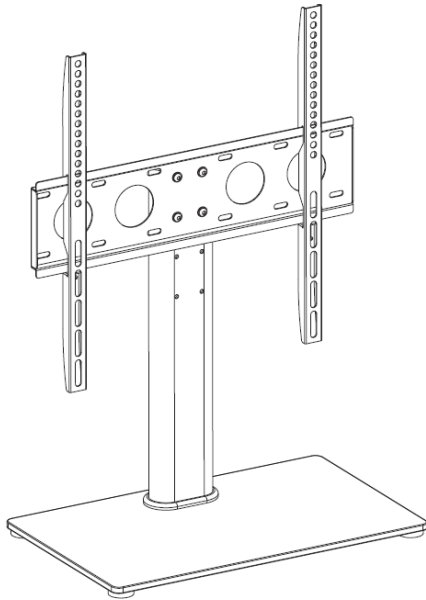




Tabletop TV Stand

Instruction Manual



SKU: STAND-TV00J



Scan the QR code with your mobile device or follow the link for helpful videos and specifications related to this product.

<https://vivo-us.com/products/stand-tv00j>

GET IN TOUCH | Monday-Friday from 7:00am-7:00pm CST



help@vivo-us.com



www.vivo-us.com
Chat live with an agent!



309-278-5303

WARNING!

If you do not understand these directions, or if you have any doubts about the safety of the installation, please call a qualified technician. Check carefully to make sure there are no missing or defective parts. Improper installation may cause damage or serious injury. Do not use this product for any purpose that is not explicitly specified in this manual. Do not exceed weight capacity. We cannot be liable for damage or injury caused by improper mounting, incorrect assembly or inappropriate use.

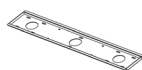
TIPOVER WARNING

SERIOUS OR FATAL CRUSHING INJURIES CAN OCCUR FROM TIPOVER. TO HELP PREVENT TIPOVER:

- NEVER ALLOW CHILDREN TO CLIMB, STAND, HANG, OR PLAY ON ANY PART OF TV OR TV STAND.
- USE TIPOVER RESTRAINT OR ANCHOR STAND TO WALL

USE OF TIPOVER RESTRAINTS MAY ONLY REDUCE, BUT NOT ELIMINATE RISK OF TIPOVER.

PACKAGE CONTENTS



A (x1)
TV Plate



B (x2)
Monitor Bracket



C (x1)
Tempered Glass



D (x1)
Support Column



E (x1)
Plastic Socket



F (x1)
Metal Pad



G (x4)
M6x10



H (x4)
Metal Washer



I (x3)
M8x22



J (x2)
Wire Clip



K (x4)
Rubber Foot



L (x4)
M4x12



M (x4)
M4x30



N (x4)
M6x20



O (x4)
M6x35



P (x4)
M8x20



Q (x4)
M8x35



R (x4)
M4 Washer



S (x4)
M6 Washer



T (x4)
M8 Washer



U (x4)
M4 Spacer



V (x8)
M6/8 Spacer



W (x1)
Allen Wrench



X (x1)
Security Wire Kit

NOTE: NOT ALL HARDWARE INCLUDED WILL BE USED

WARNING: CHOKING HAZARD

SMALL PARTS - NOT FOR CHILDREN UNDER 3 YEARS. ADULT SUPERVISION IS REQUIRED.

TOOLS NEEDED



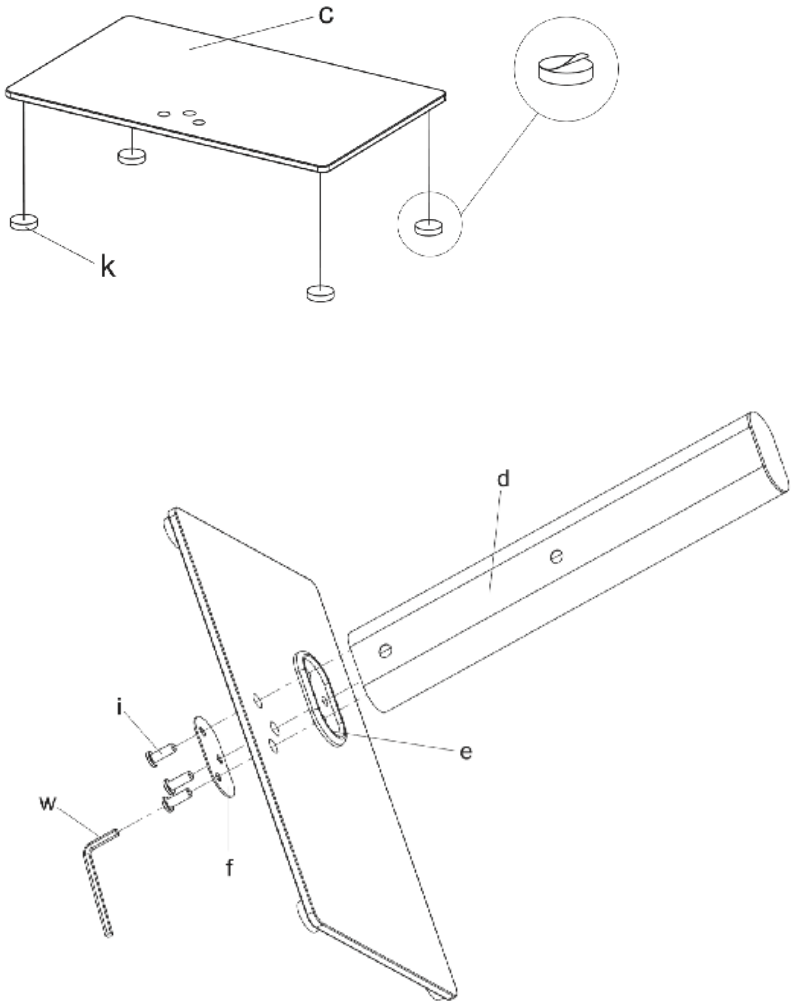
DO NOT EXCEED WEIGHT CAPACITY.
Failure to do so may result in serious injury.



ASSEMBLY STEPS

STEP 1

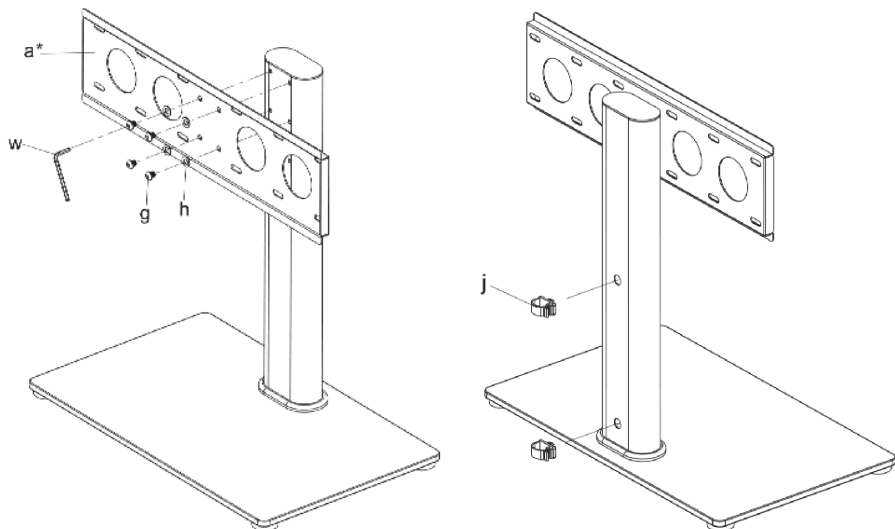
Stick rubber feet (**K**) to bottom of tempered glass (**C**). Attach support column (**D**) to tempered glass (**C**) with plastic socket (**E**) in between and metal pad (**F**) underneath. Use bolt (**I**) to secure assembly. Tighten using allen wrench (**W**).



STEP 2

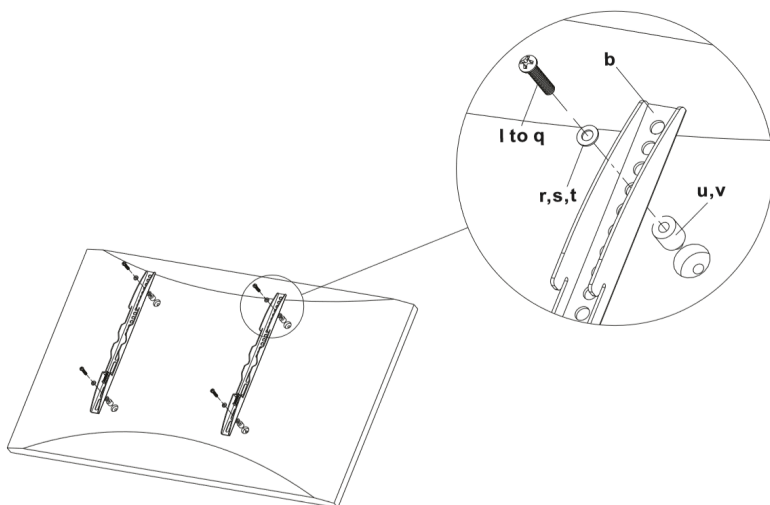
Attach TV plate **(A)** to support column **(D)** at desired height using bolts **(G)** and metal washers **(H)**. Attach wire clips **(J)** to back of support column **(D)**.

Optional: TV plate **(A)** can be installed on wall. Wall mounting hardware not included.



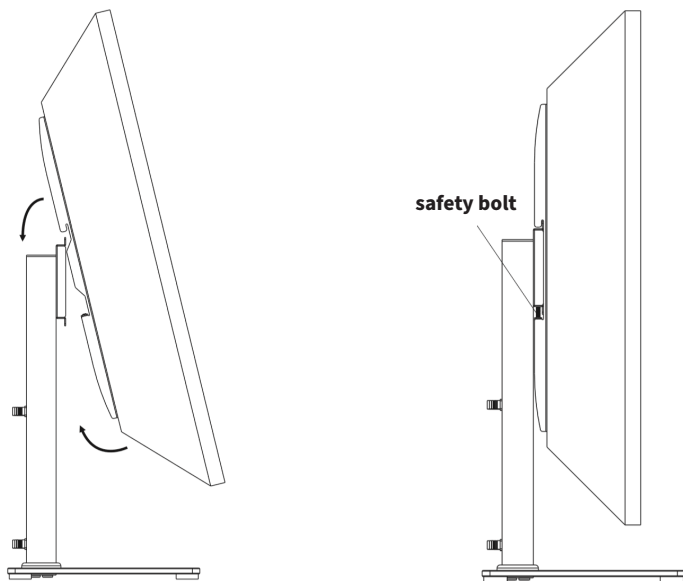
STEP 3

Mount monitor brackets **(B)** to the back of your TV using bolts **(L, M, N, O, P, Q)** and washers **(R, S, T)** according to the size of mounting holes on your television. Make sure monitor brackets are both in the correct orientation. For curved monitors, spacers **(U, V)** may be required.

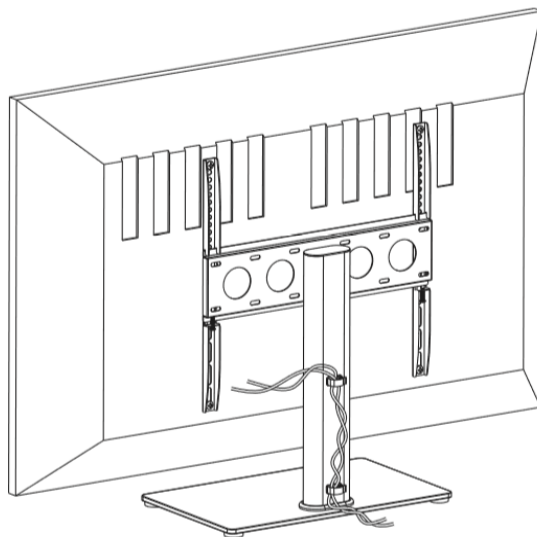


STEP 4

Mount monitor to TV plate (A) as shown in diagram. Tighten safety bolts on bottom of monitor brackets (B) using phillips head screwdriver.



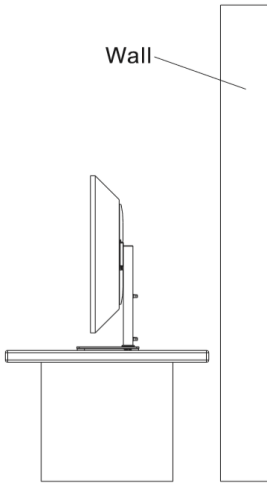
Route cables through cable management clips (J) on back of stand.



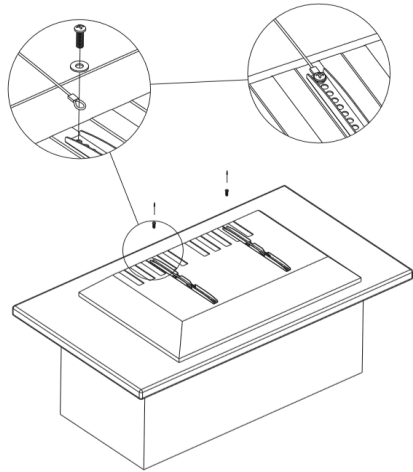
STEP 5

If your TV is located near a wall as shown in Diagram 5a, then a steel wire from security wire kit (X) can be attached for added security. Attach the two ends of the steel wire to the top two holes on the back of your TV as shown in Diagram 5b. Attach the center loop to your wall according to wall type as shown in Diagram 5c, 5d, 5e.

5a



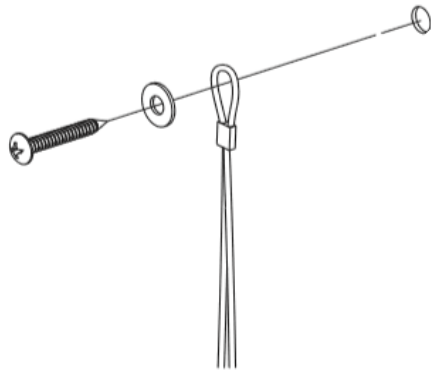
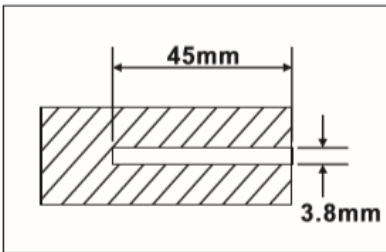
5b



5c

OPTION A: Wood Wall

Drill 1.75" (45mm) deep holes using a 5/32" (or 3.8mm) drill bit. Secure with screws and washers.

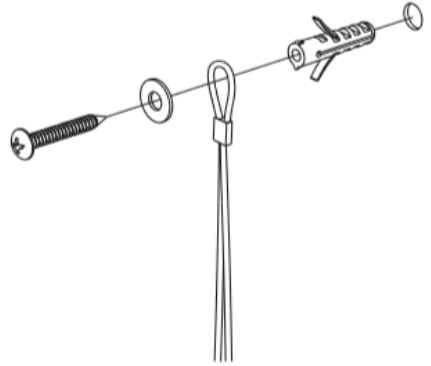
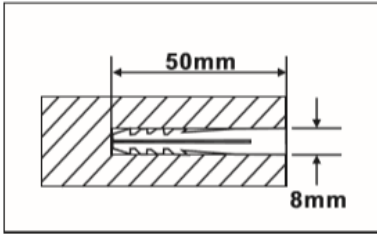


STEP 5 (Continued)

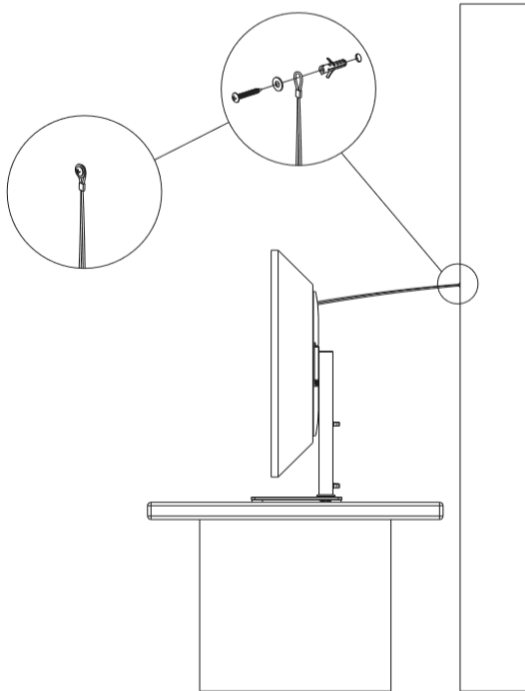
5d

OPTION B: Concrete/Brick Wall

Drill 2" (50mm) deep holes using a 5/16" (or 8mm) drill bit, and press anchors into holes. Secure with screws and washers.



5e





Open **Monday - Friday 7:00am - 7:00pm** CST,
our dedicated support team can offer immediate assistance with rapid response times. If any parts are received damaged or defective, please contact us. We are happy to replace parts to ensure you have a fully functioning product.



309-278-5303

AVG. RESOLUTION TIME *(within office hrs):* **5M 4S**



www.vivo-us.com
Chat live with an agent!

AVG. RESOLUTION TIME *(within office hrs):* **< 15 M**



help@vivo-us.com

AVG. RESPONSE TIME *(within office hrs):* **1HR 8M**

- 23% within < 15m
- 38% within < 30m
- 61% within < 1hr
- 83% within < 2hr
- 92% within < 3hr