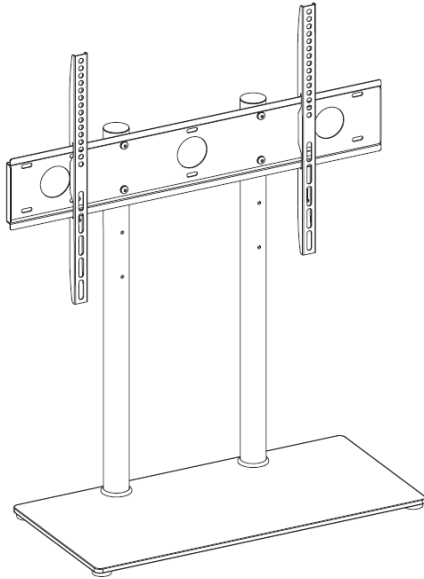




Tabletop TV Stand

Instruction Manual



SKU: STAND-TV00H



Scan the QR code with your mobile device or follow the link for helpful videos and specifications related to this product.

<https://vivo-us.com/products/stand-tv00h>

GET IN TOUCH | Monday-Friday from 7:00am-7:00pm CST



help@vivo-us.com



www.vivo-us.com
Chat live with an agent!



309-278-5303

WARNING!

If you do not understand these directions, or if you have any doubts about the safety of the installation, please call a qualified technician. Check carefully to make sure there are no missing or defective parts. Improper installation may cause damage or serious injury. Do not use this product for any purpose that is not explicitly specified in this manual. Do not exceed weight capacity. We cannot be liable for damage or injury caused by improper mounting, incorrect assembly or inappropriate use.

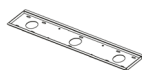
TIPOVER WARNING

SERIOUS OR FATAL CRUSHING INJURIES CAN OCCUR FROM TIPOVER. TO HELP PREVENT TIPOVER:

- NEVER ALLOW CHILDREN TO CLIMB, STAND, HANG, OR PLAY ON ANY PART OF TV OR TV STAND.
- USE TIPOVER RESTRAINT OR ANCHOR STAND TO WALL

USE OF TIPOVER RESTRAINTS MAY ONLY REDUCE, BUT NOT ELIMINATE RISK OF TIPOVER.

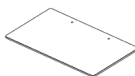
PACKAGE CONTENTS



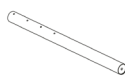
A (x1)
TV Plate



B (x2)
Monitor Bracket



C (x1)
Tempered Glass



D (x2)
Support Pole



E (x2)
Plastic Socket



F (x2)
M8 Washer



G (x2)
M8x22 Bolt



H (x4)
M6x10



I (x4)
M6 Washer



J (x4)
Rubber Foot



L (x4)
M4x12



M (x4)
M4x30



N (x4)
M6x20



O (x4)
M6x35



P (x4)
M8x20



Q (x4)
M8x35



R (x4)
M4 Washer



S (x4)
M6 Washer



T (x4)
M8 Washer



U (x4)
M4 Spacer



V (x8)
M6/8 Spacer



W (x1)
Allen Wrench



X (x1)
Security Wire Kit

NOTE: NOT ALL HARDWARE INCLUDED WILL BE USED

WARNING: CHOKING HAZARD

SMALL PARTS - NOT FOR CHILDREN UNDER 3 YEARS. ADULT SUPERVISION IS REQUIRED.

TOOLS NEEDED



DO NOT EXCEED WEIGHT CAPACITY.

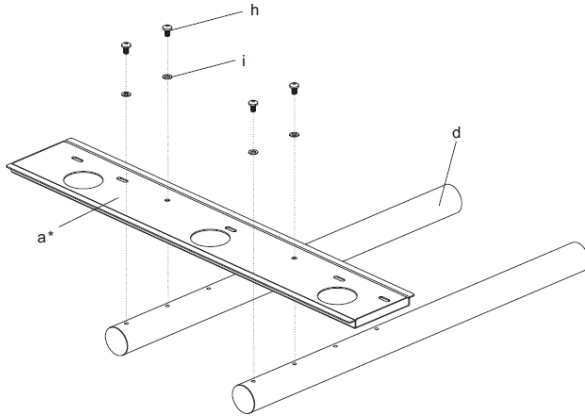
Failure to do so may result in serious injury.



ASSEMBLY STEPS

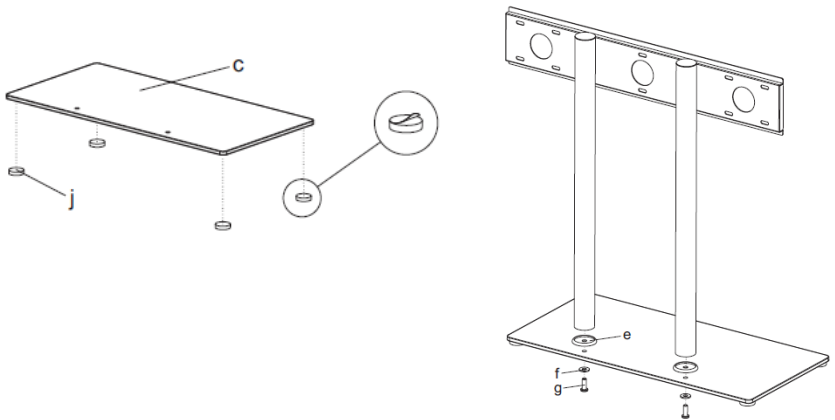
STEP 1

Attach TV plate (A) to support poles (D) using M6x10 bolts (H) and M6 washers (I). *TV plate (A) can be installed on wall optionally, wall mounting hardware is not included.



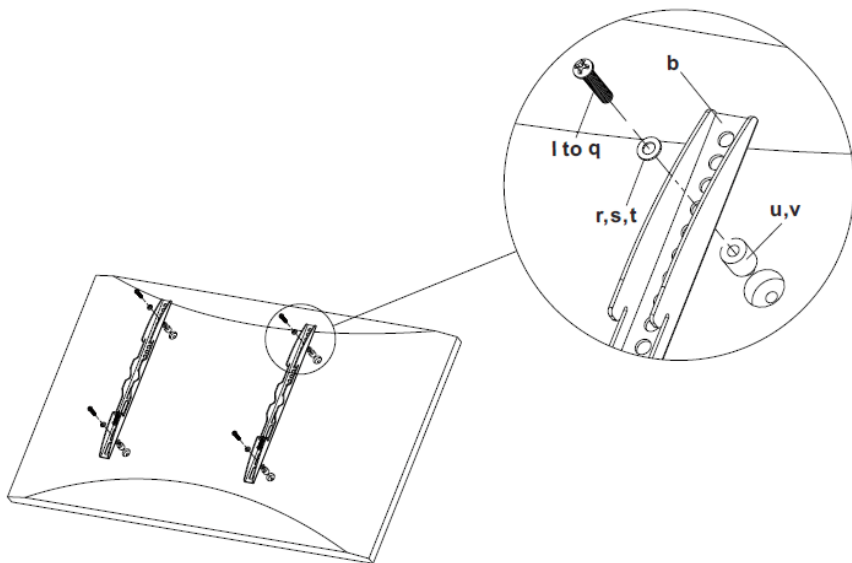
STEP 2

Stick rubber feet (J) to bottom of tempered glass (C). Secure support poles (D) to tempered glass (C) using M8x22 bolts (G), M8 washers (F), and plastic sockets (E) as shown in diagram.



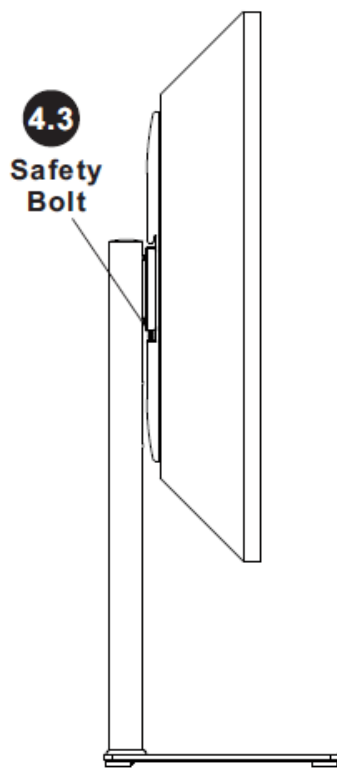
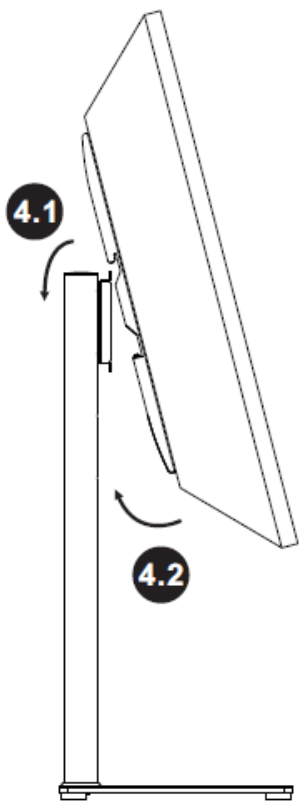
STEP 3

First, make sure you have the correct diameter bolt (**L to Q**) your TV requires. Once you have the correct size, please see the diagram below. You will then thread the bolt through the bracket (**B**) into the TV using the correct washers (**R,S,T**), and using the spacer (**U,V**) if necessary. Please make sure the TV brackets are vertically centered and level with each other.



STEP 4

Attach Monitor Brackets (B) to TV Plate (A) as shown in diagram.



STEP 5a

If your TV is located near a wall as shown in diagram 5a, then the security wire can be attached for added safety. This is done by attaching the two ends of the security wire to the top two holes on the back of the TV, shown in diagram 5b. The other end of the security wire can then be attached to the wall, according to wall type, shown in diagram 5c and 5d.

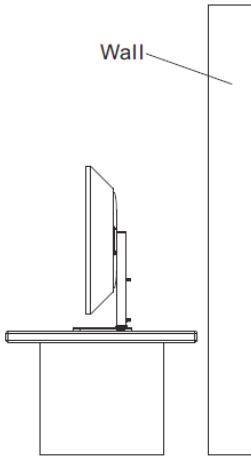


DIAGRAM A

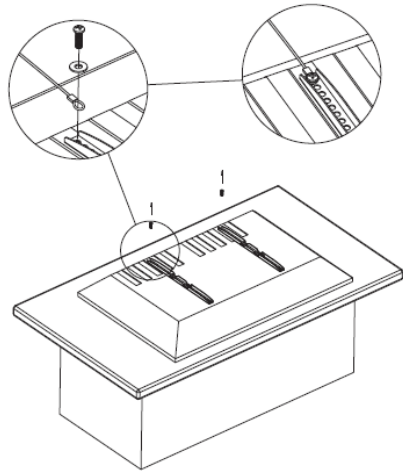


DIAGRAM B

Option A: Wood Wall

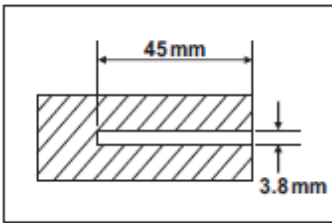
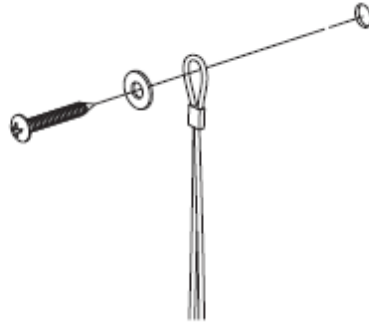


DIAGRAM C



STEP 5 (continued)

Option B: Concrete/Brick Wall

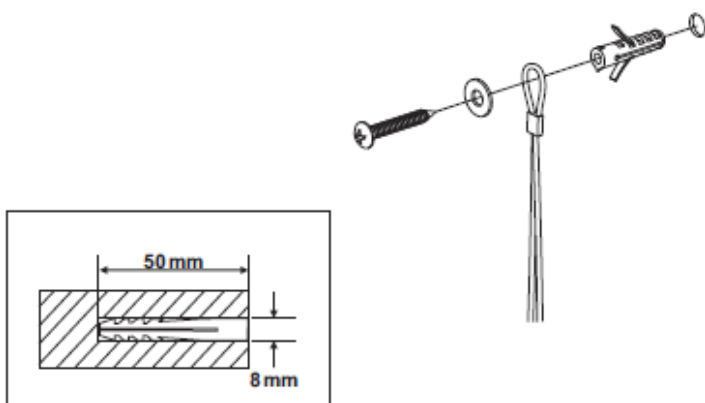
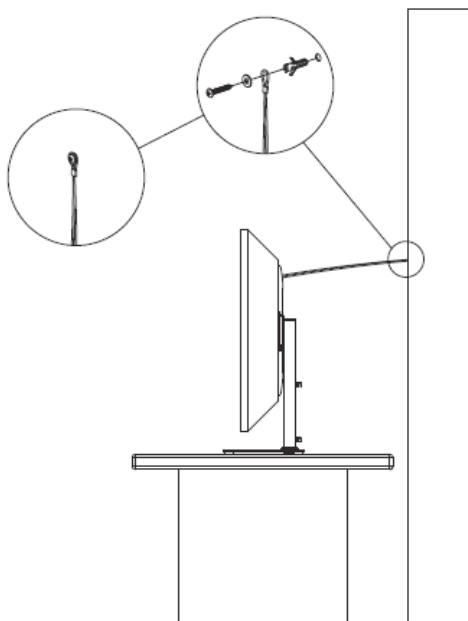


DIAGRAM D





Open **Monday - Friday 7:00am - 7:00pm** CST,
our dedicated support team can offer immediate assistance with rapid response times. If any parts are received damaged or defective, please contact us. We are happy to replace parts to ensure you have a fully functioning product.



help@vivo-us.com

AVG. RESPONSE TIME (*within office hrs*): **1HR 8M**

- 23% within < 15m
- 38% within < 30m
- 61% within < 1hr
- 83% within < 2hr
- 92% within < 3hr



www.vivo-us.com
Chat live with an agent!

AVG. RESOLUTION TIME (*within office hrs*): **< 15 M**



309-278-5303

AVG. RESOLUTION TIME (*within office hrs*): **5M 4S**