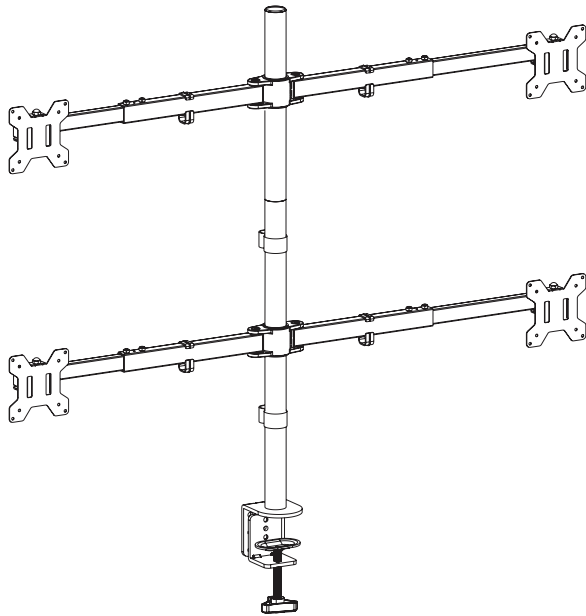




Telescoping Quad Monitor Desk Mount

Instruction Manual



SKU: STAND-TS38C-4



Scan the QR code with your mobile device or follow the link for helpful videos and specifications related to this product.

<https://vivo-us.com/products/stand-ts38c-4>

GET IN TOUCH | Monday-Friday from 7:00am-7:00pm CST



help@vivo-us.com



www.vivo-us.com
Chat live with an agent!



309-278-5303

⚠ WARNING!

If you do not understand these directions, or if you have any doubts about the safety of the installation, please call a qualified technician. Check carefully to make sure there are no missing or defective parts. Improper installation may cause damage or serious injury. Do not use this product for any purpose that is not explicitly specified in this manual. Do not exceed weight capacity. We cannot be liable for damage or injury caused by improper mounting, incorrect assembly or inappropriate use.

⚠ TIPOVER WARNING

SERIOUS OR FATAL CRUSHING INJURIES CAN OCCUR FROM TIPOVER. TO HELP PREVENT TIPOVER:

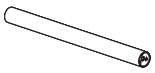
- **TO PREVENT TIPPING, PLEASE BE CAREFUL NOT TO EXTEND THE ARMS TOO FAR FORWARD OR BACKWARD.**
- NEVER ALLOW CHILDREN TO CLIMB, STAND, HANG, OR PLAY ON ANY PART OF MONITOR OR STAND.
- USE TIPOVER RESTRAINT OR ANCHOR STAND TO WALL

USE OF TIPOVER RESTRAINTS MAY ONLY REDUCE, BUT NOT ELIMINATE RISK OF TIPOVER.

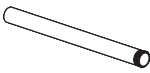
⚠ WARNING: CHOKING HAZARD

SMALL PARTS - NOT FOR CHILDREN UNDER 3 YEARS. ADULT SUPERVISION IS REQUIRED.

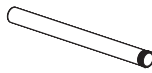
PACKAGE CONTENTS



A (x1)
Bottom Pole



B (x1)
Middle Pole



C (x1)
Top Pole With Cap



D (x1)
Lower Clamp



E (x1)
Upper Clamp



F (x2)
Swivel Arm



G (x4)
VESA Plate



H (x1)
Grommet Plate



I (x2)
Pole Cable Clip



J (x4)
Arm Cable Clip



K (x1)
Clamp Soft Pad



L (x1)
Grommet Soft Pad



S-A (x3)
M5x16mm Screw



S-B (x2)
M8x12mm Screw



S-C (x4)
M6 Cap Nut



S-D (x1)
M8 Washer



S-E (x1)
Spring Washer



M-A (x16)
M4x12mm Thumbscrew



M-B (x16)
M4x30mm Screw



M-C (x16)
M4 Spacer



T-A (x1)
3mm Allen Wrench



T-B (x1)
5mm Allen Wrench



T-C (x1)
6mm Allen Wrench

NOTE: SOME HARDWARE INCLUDED MAY NOT BE USED

TOOLS NEEDED



DO NOT EXCEED WEIGHT CAPACITY.
Failure to do so may result in serious injury.

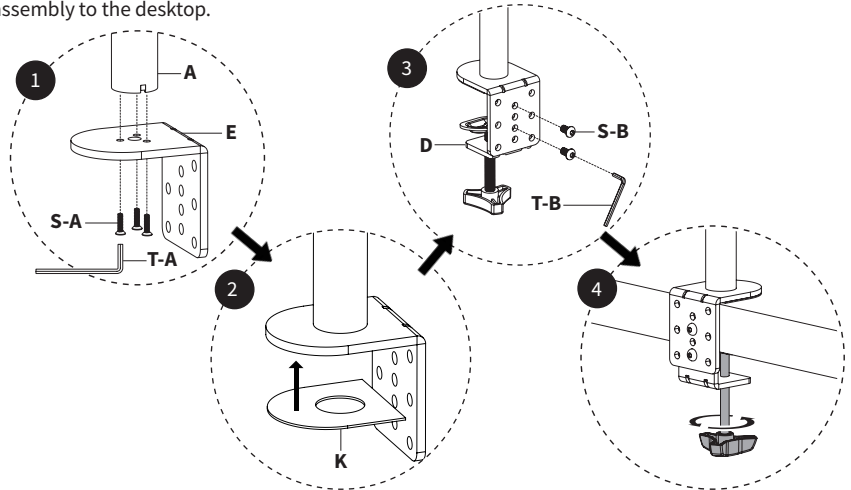


ASSEMBLY STEPS

STEP 1

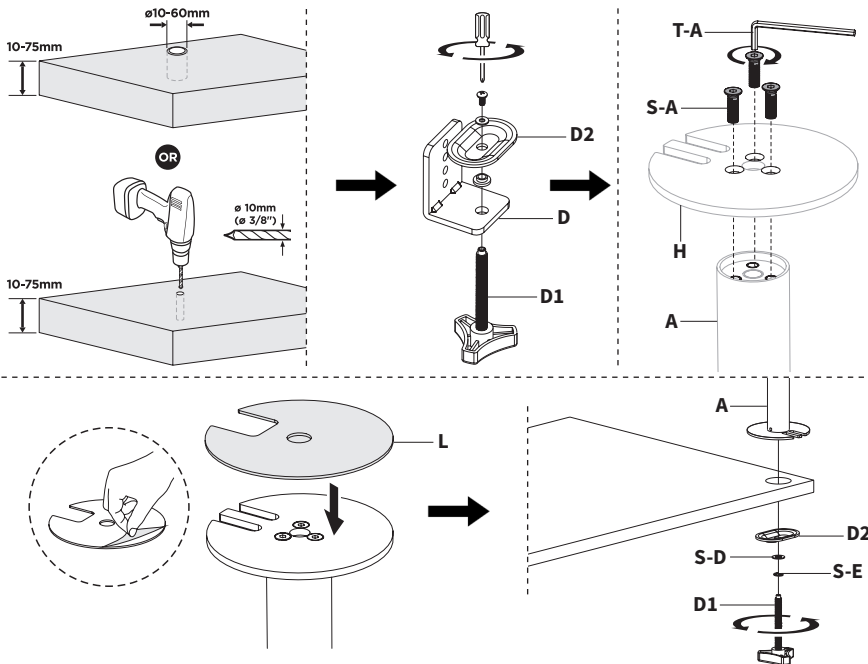
OPTION A: Clamp Install

Mount Upper Clamp (E) to Bottom Pole (A) using M5x16mm Screws (S-A) and 3mm Allen Wrench (T-A). Remove adhesive backing from Clamp Soft Pad (K) and attach to Upper Clamp (E). Assemble Lower Clamp (D) to Upper Clamp (E) using M8x12mm Screws (S-B) and 5mm Allen Wrench (T-B) and secure the assembly to the desktop.



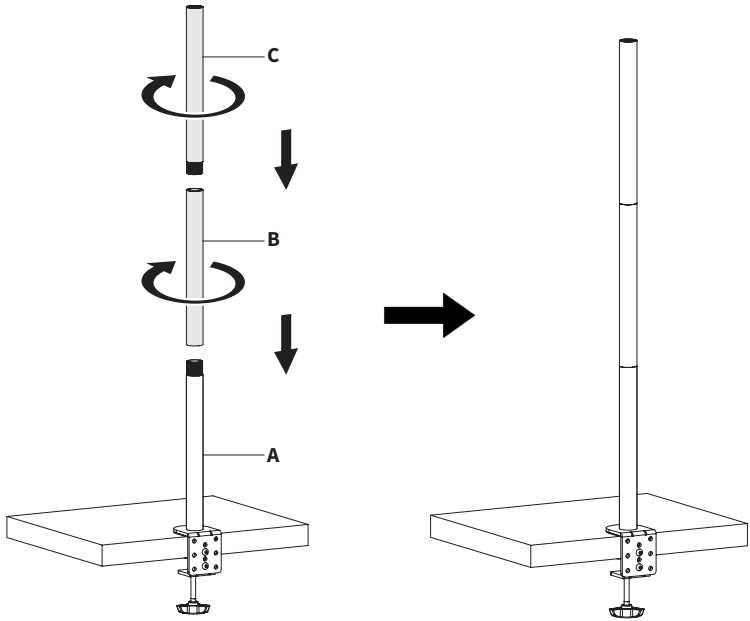
OPTION B: Grommet Install

If desk does not have an existing grommet hole, drill a 3/8" (10mm) diameter hole at the desired location on the desktop. Completely disassemble Lower Clamp (D) into individual parts. Set Knob (D1) and Clamp Plate (D2) aside for later use. The L bracket, bolt, washer and bushing will not be used. Install Grommet Plate (H) to Bottom Pole (A) using M5x16mm Screws (S-A) and 3mm Allen Wrench (T-A). Attach Grommet Soft Pad (L) to Grommet Plate (H). Position Bottom Pole (A) on the mounting surface and secure using Clamp Plate (D2), Spring Washer (S-E), M8 Washer (S-D) and Knob (D1).



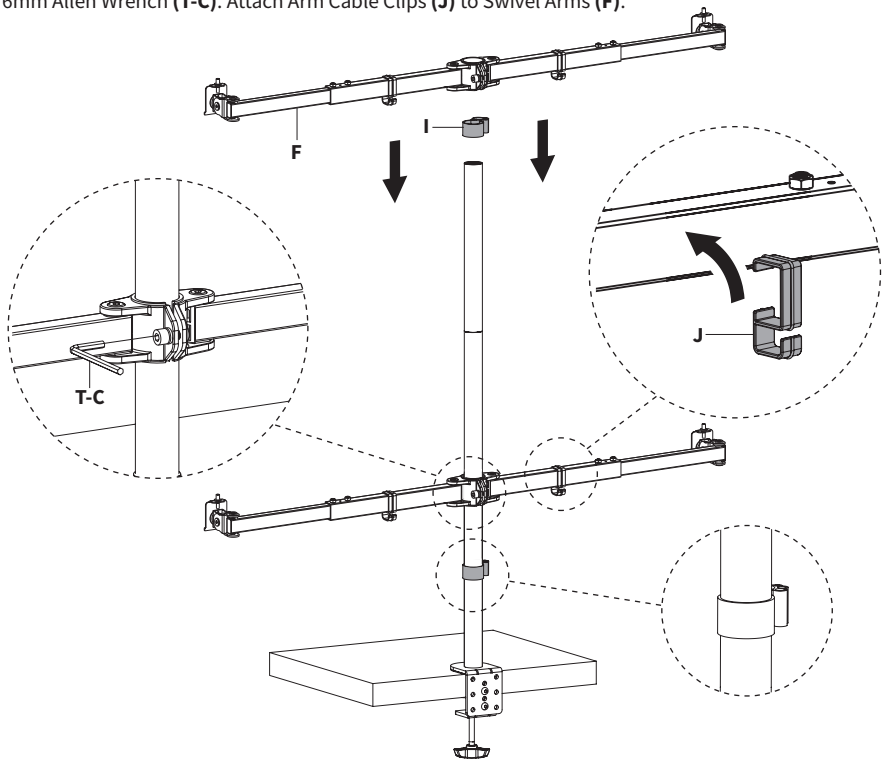
STEP 2

Thread Middle Pole (B) onto Bottom Pole (A), and Top Pole With Cap (C) onto Middle Pole (B).



STEP 3

Slide Pole Cable Clips (I) and Swivel Arms (F) onto the pole assembly. Secure Swivel Arms (F) using 6mm Allen Wrench (T-C). Attach Arm Cable Clips (J) to Swivel Arms (F).

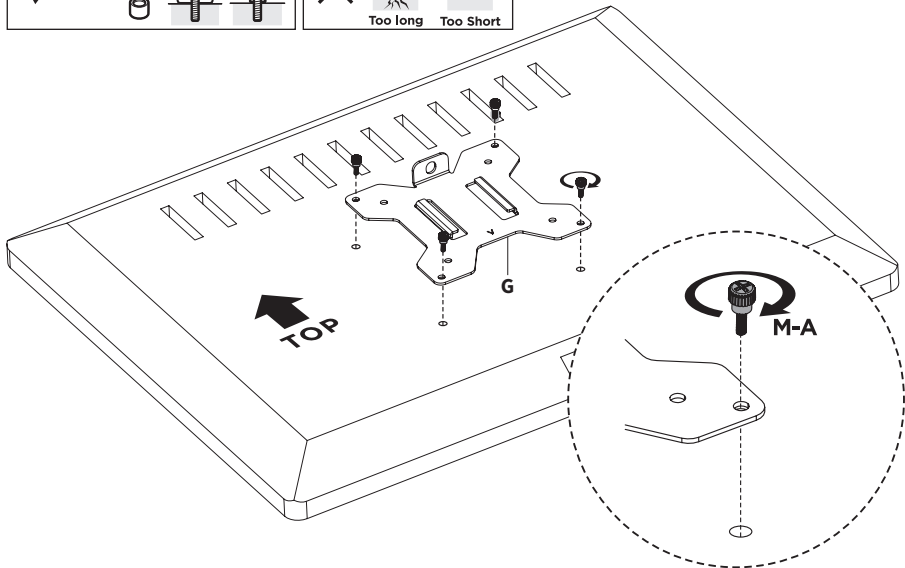
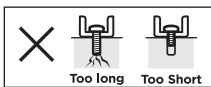
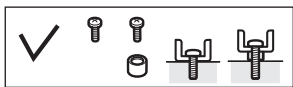


STEP 4

OPTION A: Flat Back Monitor

Attach the VESA Plates (G) to the monitor with Thumbscrews (M-A).

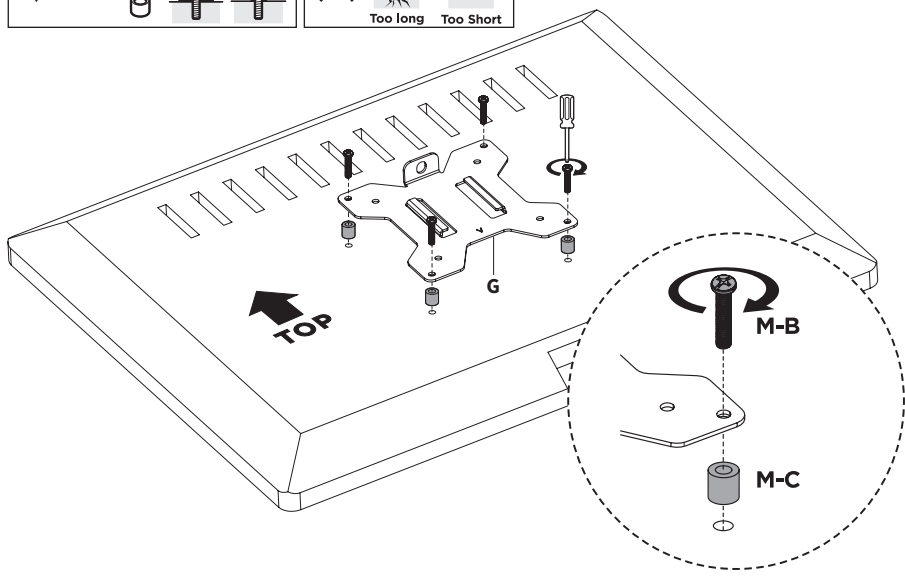
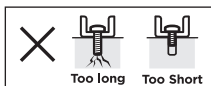
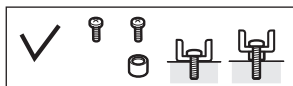
NOTE: Hand tighten screws to avoid over tightening.



OPTION B: Curved Back Monitor

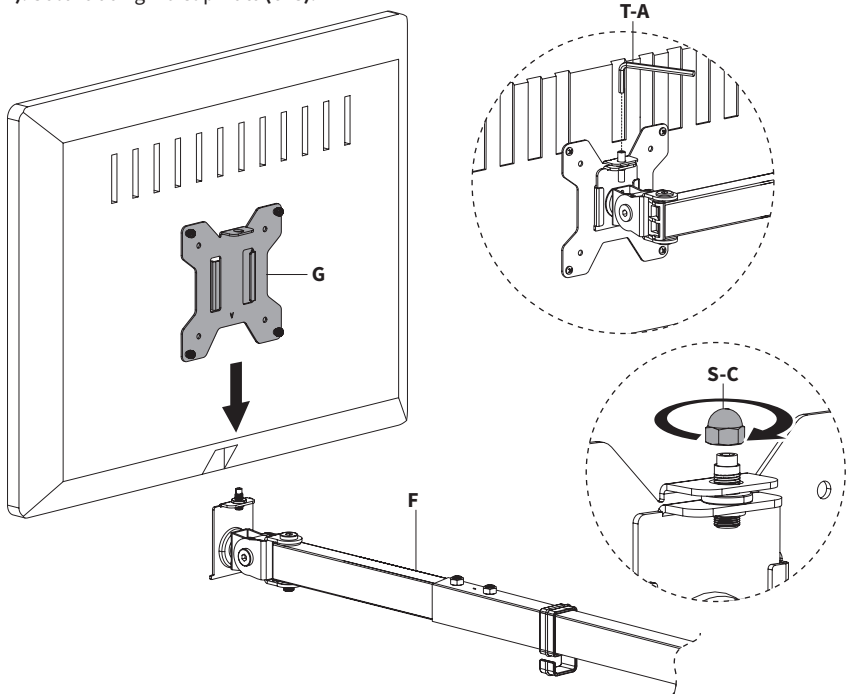
Attach VESA Plate (G) to the monitor with M4x30mm Screws (M-B) and M4 Spacers (M-C).

NOTE: Gently tighten using a screwdriver



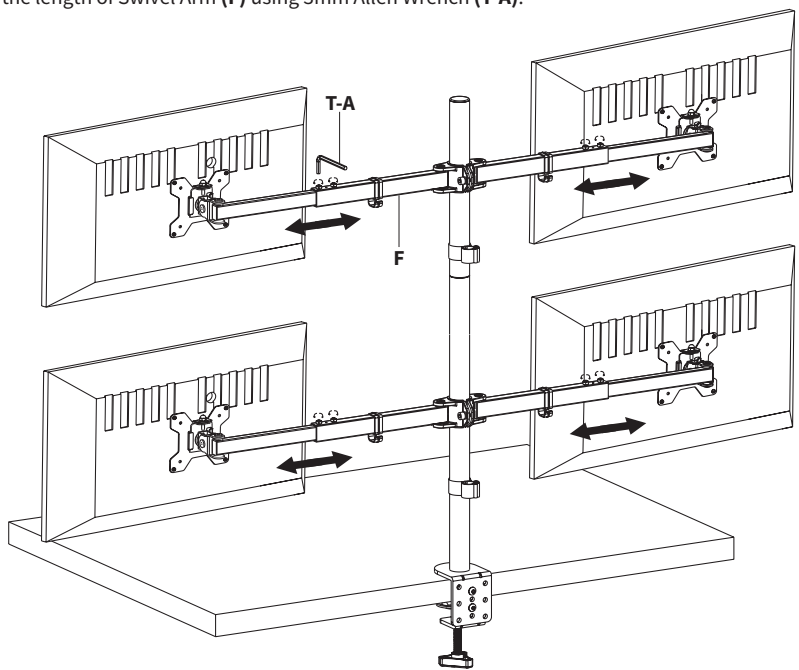
STEP 5

Slide VESA Plates (G) onto the Swivel Arm (F). The monitors can be leveled using 3mm Allen Wrench (T-A). Secure using M6 Cap Nuts (S-C).



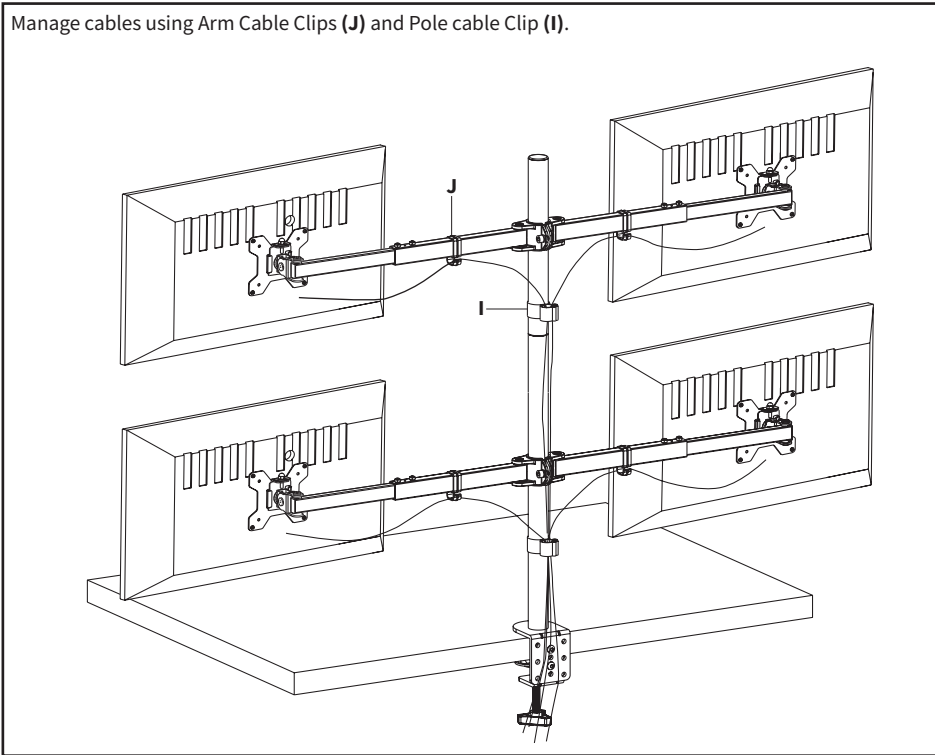
STEP 6

Adjust the length of Swivel Arm (F) using 3mm Allen Wrench (T-A).



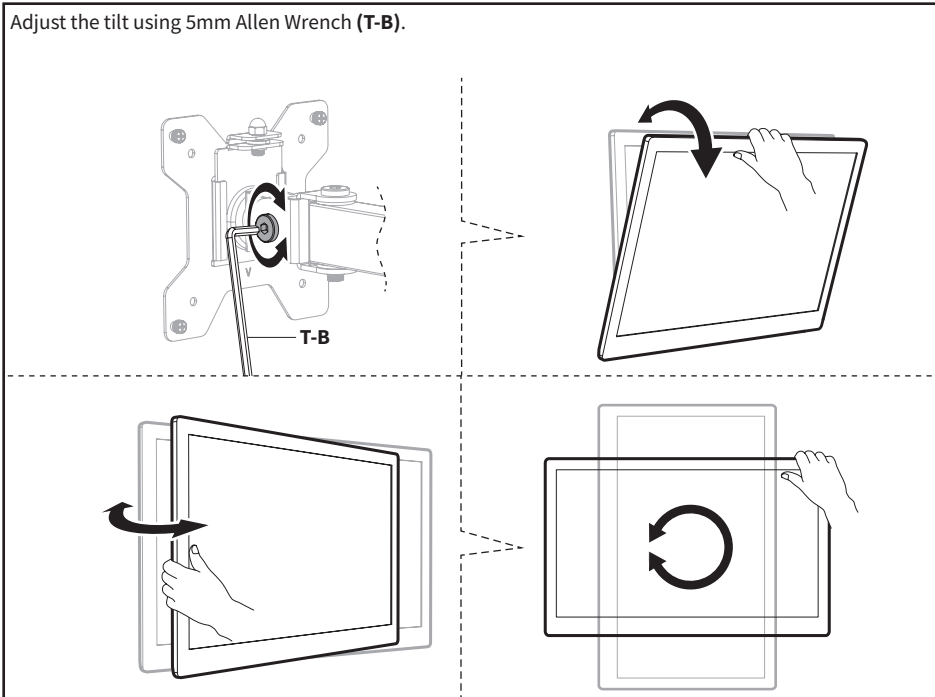
STEP 7

Manage cables using Arm Cable Clips (**J**) and Pole cable Clip (**I**).



STEP 8

Adjust the tilt using 5mm Allen Wrench (**T-B**).





Open **Monday - Friday 7:00am - 7:00pm** CST,
our dedicated support team can offer immediate assistance with rapid response times. If any parts are received damaged or defective, please contact us. We are happy to replace parts to ensure you have a fully functioning product.



309-278-5303

AVG. RESOLUTION TIME (*within office hrs*): **5M 4S**



www.vivo-us.com
Chat live with an agent!

AVG. RESOLUTION TIME (*within office hrs*): **< 15 M**



help@vivo-us.com

AVG. RESPONSE TIME (*within office hrs*): **1HR 8M**

- 23% within < 15m
- 38% within < 30m
- 61% within < 1hr
- 83% within < 2hr
- 92% within < 3hr